



CHATSWORTH
PRODUCTS

Cabinet-Supported Cold Aisle Containment (CAC) Solution

The Cabinet-Supported Cold Aisle Containment (CAC) Solution by Chatsworth Products (CPI) features a cabinet-supported ceiling that is used over a contained cold aisle as part of a closed cold air delivery system. This solution integrates with perimeter cooling and provides immediate improved cooling efficiency by separating hot and cold air within the room. It can be used as an alternative to hot aisle containment where there are low ceilings or where it would be difficult to add an overhead drop ceiling. It is ideal for small or medium scale data center computer rooms that are adopting containment but need to minimize changes when retrofitting the site.



- 1** **CPI Cabinet System** – Create cabinet rows using ZetaFrame® Cabinets. Configure cabinets with Thermal Management Accessories that block airflow through and around cabinets.
- 2** **Cabinet-Supported Ceiling Panel Kit** – Attaches to the tops of cabinets, forming a ceiling over the contained aisle. Ordered as a single part number to match aisle width and length.
- 3** **Door Mounting Bracket Kit** – Adjustable height brackets used to attach the Aisle Containment Door Assembly to the tops of cabinets.
- 4** **Door Standoff Kit** – Optional kit used when cabinets are placed over a raised floor to offset the door approximately 2.5" (64 mm) away from the side of cabinets so that the bottom of the door is not located over the edges of floor tiles.

- 5** (shown) or single door, both with automatic closing feature and large transparent panel(s). Attaches to the ends of cabinets to seal the ends of the contained aisle.
- 6** **Aisle Containment Cabinet To Floor Seal Kit** – Cabinet-specific trim panels used along the base of cabinets to seal the gap between the floor and the bottom of the cabinet frame.

Containment Accessories

- Adjustable Height Filler Panel
- Universal Cabinet End Panel
- Door Top Seal Kit
- Floor Mounting Template

Cabinet Accessories

- Bottom Panel
- Air Dam
- Snap-In Filler Panels
- Raised Floor Grommet

Aisle Containment Door Assembly – Sliding double doors

Availability: US, Canada, Latin America, Europe, Middle East & Africa

United States & Canada
Simi Valley, CA
800-834-4969
Toronto, Ontario, Canada
+905-850-7770
chatsworth.com
techsupport@chatsworth.com

Latin America
Mexico City, Mexico
+52-55-5203-7525
Toll Free within Mexico
800-201-7592
chatsworth.com.co

Europe
Buckinghamshire
England, UK
+44-1628-524-834

Middle East & Africa
Dubai, UAE
+971-4-2602125
Doha, Qatar
+974-4-267422

Asia Pacific
Jing'an District,
Shanghai, China
+86 21 6880-0266
chatsworth.com.cn

SOLUTION OVERVIEW

- Cabinet-supported ceiling panel kit, ordered as a single part number
- Compatible with ZetaFrame® Cabinets
- Optional accessory filler panels accommodate shorter cabinets
- Translucent ceiling and transparent door panels allow light to enter the contained aisle
- Doors close automatically to maintain containment and reduce recovery time
- A complete solution maximizes performance with baffles to seal around and within cabinets and the contained aisle
- Durable construction and maintenance-free design provide many years of use

ORDERING INFORMATION

1 CPI Cabinet System		
Black	Glacier White	Description
ZB15-A1200-71	ZB15-A1200-E1	ZetaFrame, 45U, 23.6"W (600 mm) x 50.3"D (1278 mm)
ZB25-A1200-71	ZB25-A1200-E1	Zeta Frame, 45U, 27.6"W (700 mm) x 50.3"D (1278 mm)
ZB45-A1200-71	ZB45-A1200-E1	ZetaFrame, 45U, 31.5"W (800 mm) x 50.3"D (1278 mm)

Note: Other sizes/configurations available.

2 Cabinet-Supported Ceiling Panel Kit	
Part Number	Description
32710-X12	For 2 Tile, 48"W (1200 mm) Aisles, 4"H (100 mm), 20'L (6.0 m)
32710-X75	For 2 Tile, 48"W (1200 mm) Aisles, 8"H (200 mm), 20'L (6.0 m)
32710-XBW	For 2 Tile, 48"W (1200 mm) Aisles, 12"H (300 mm), 20'L (6.0 m)
32711-X12	For 3 Tile, 72"W (1800 mm) Aisles, 4"H (100 mm), 20'L (6.0 m)
32711-X75	For 3 Tile, 72"W (1800 mm) Aisles, 8"H (200 mm), 20'L (6.0 m)
32711-XBW	For 3 Tile, 72"W (1800 mm) Aisles, 12"H (300 mm), 20'L (6.0 m)

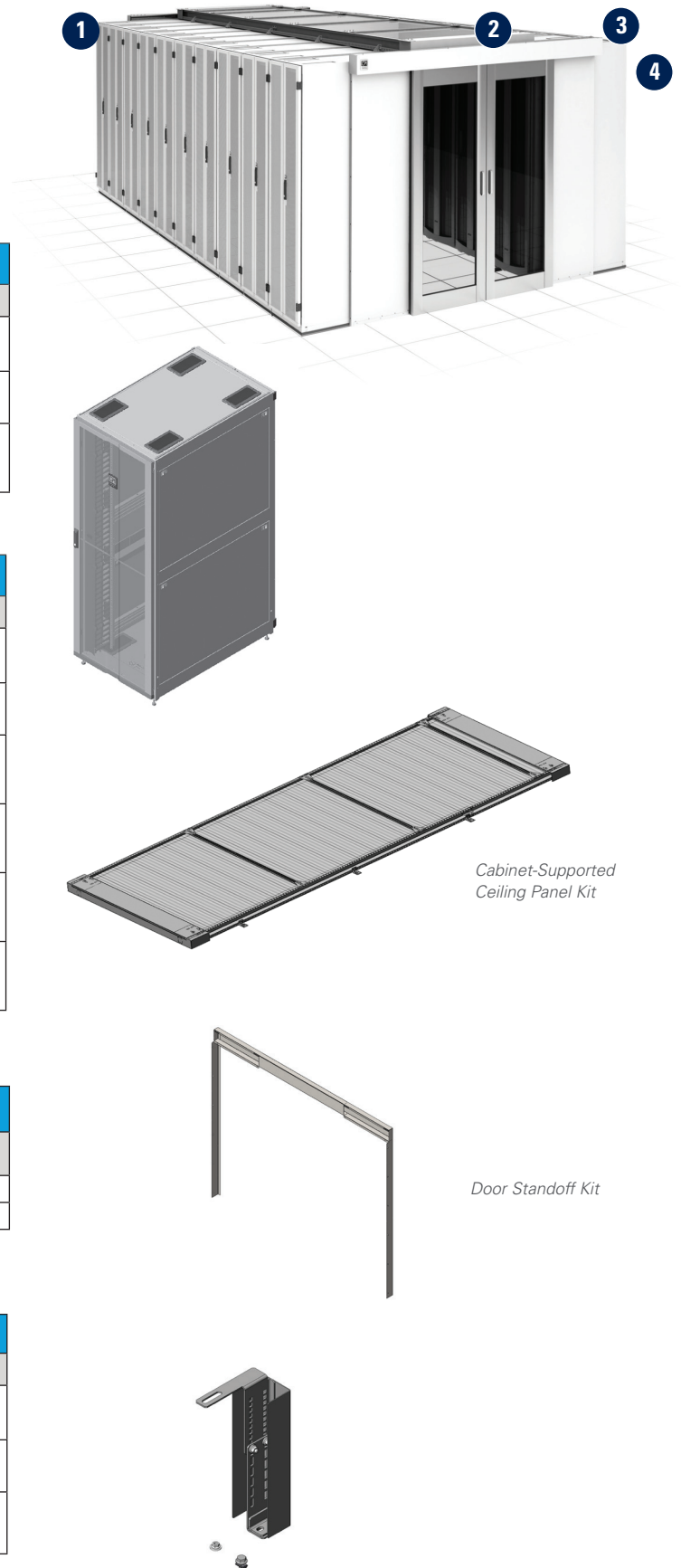
Note: X=color: 7=Black, E=Glacier White.

3 Door Standoff Kit	
Part Number	Description
32870-X01	For Aisle Containment Double Door Assembly
32870-X02	For Aisle Containment Single Door Assembly

Note: X=color: 7=Black, E=Glacier White.

4 Door Mounting Bracket Kit	
Part Number	Description
32805-X00	3"H (75 mm), For 85.3"-91.4"H (2167 mm - 2322 mm) Cabinets
32805-X01	5"H (125 mm), For 82.6"-94.2"H (2098 mm - 2393 mm) Cabinets
32805-X02	10"H (254 mm), For 77.8"-98.9"H (1976 mm-2512 mm) Cabinets

Note: X=color: 7=Black, E=Glacier White. .



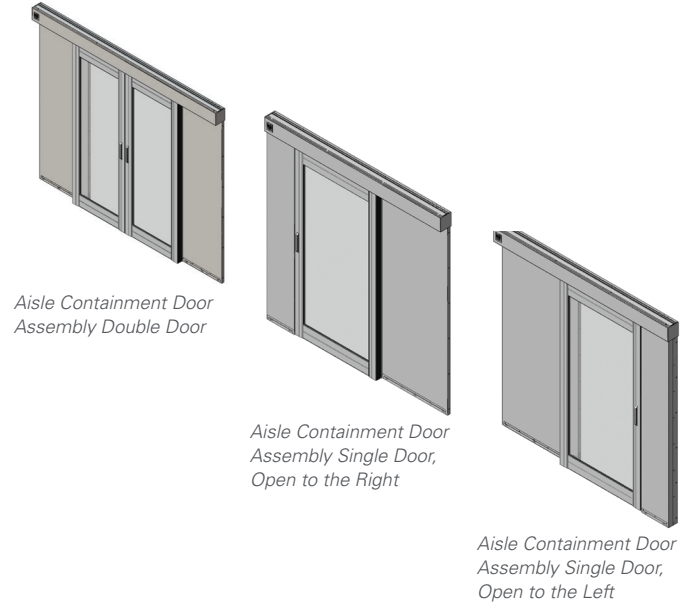
Cabinet-Supported Ceiling Panel Kit

Door Standoff Kit

ORDERING INFORMATION

5 Aisle Containment Door Assembly	
Part Number	Description
32770-X01	Double Door, with Painted Door Frames
32770-X02	Double Door, with Anodized Aluminum Door Frames
32780-X02	Single Door, opens to the Right, with Painted Door Frames
32780-X04	Single Door, opens to the Right, with Anodized Aluminum Door Frames
32780-X02	Single Door, opens to the Left, with Painted Door Frames
32780-X02	Single Door, opens to the Left, with Anodized Aluminum Door Frames

Note: X=color: 7=Black, E=Glacier White.

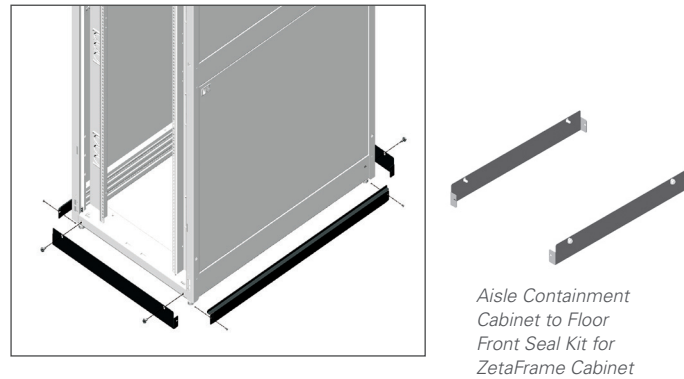


Cabinet To Floor Seal Kits

Place at the bottom of cabinets to seal the space between the bottom of the cabinet and the floor when leveling feet or casters are in use. Ideal for aisle containment applications.

6 Aisle Containment Cabinet To Floor Seal Kits Floor Seal Kits for ZetaFrame Cabinet	
Part Number	Description
39996-X00	Front & Rear, for 23.6"W (600 mm) Cabinet
39996-X01	Front & Rear, for 27.6"W (700 mm) Cabinet
39996-X02	Front & Rear, for 29.5"W (750 mm) Cabinet
39996-X03	Front & Rear, for 31.5"W (800 mm) Cabinet
39997-X00	Side Seals, for 31.5"D (800 mm) Cabinet
39997-X08	Side Seals, for 39.4"D (1000 mm) Cabinet
39997-X10	Side Seals, for 41.3"D (1050 mm) Cabinet
39997-X12	Side Seals, for 43.3"D (1100 mm) Cabinet
39997-X16	Side Seals, for 47.2"D (1200 mm) Cabinet

Note: X=color: 7=Black, E=Glacier White.



Thermal Management Accessories

To maximize performance of the containment solution, it is critical to seal any gaps within and between cabinets and any openings in the floor or duct. CPI offers a number of options, including Snap-In Filler Panels and Raised Floor Grommets.

Air Dam for ZetaFrame Cabinet	
Part Number	Description
38649-X47	For 23.6"W (600 mm) Cabinets
38649-X58	For 27.6"W (700 mm) Cabinets
38649-X80	For 31.5"W (800 mm) Cabinets

Note: X=color: 7=Black, E=Glacier White.



Snap-In Filler Panels	
Part Number	Description
34537-X02	1U x 19" EIA, Pack of 50
34538-X02	2U x 19" EIA, Pack of 50

Note: X=color: 7=Black, E=Glacier White. Also sold individually.

Raised Floor Grommets	
Part Number	Description
13671-001	Raised Floor Grommets, Each, Black
13671-002	Raised Floor Grommets, Pack of 10, Black

Containment Accessories

The following accessories are used in specific applications, when cabinet heights vary, if cabinets are taller than the Aisle Containment Door and to help install the doors.

Adjustable Height Filler Panel	
Part Number	Description
For up to 3U High Cabinet Height Difference	
32728-X01	For 23.6"W (600 mm) Cabinet
32728-X04	For 27.6"W (700 mm) Cabinet
32728-X07	For 29.5"W (750 mm) Cabinet
32728-X13	For 31.5"W (800 mm) Cabinet
For up to 6U High Cabinet Height Difference	
32728-X02	For 23.6"W (600 mm) Cabinet
32728-X05	For 27.6"W (700 mm) Cabinet
32728-X08	For 29.5"W (750 mm) Cabinet
32728-X14	For 31.5"W (800 mm) Cabinet
For up to 9U High Cabinet Height Difference	
32728-X03	Front Seal, for 23.6"W (600 mm) Cabinet
32728-X06	Front Seal, for 27.6"W (700 mm) Cabinet
32728-X09	Front Seal, for 29.5"W (750 mm) Cabinet
32728-X15	Front Seal, for 31.5"W (800 mm) Cabinet

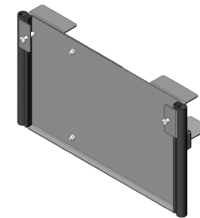
Note: X=color: 7=Black, E=Glacier White.



Adjustable Height Filler Panel

Universal Cabinet End Panel	
Part Number	Description
For up to 3U High Cabinet Height Difference	
32720-X04	Adjusts from 19.7"W (500 mm) to 27.6"W (700 mm)
32720-X10	Adjusts from 23.6"W (600 mm) to 31.5"W (800 mm)
For up to 6U High Cabinet Height Difference	
32720-X05	Adjusts from 19.7"W (500 mm) to 27.6"W (700 mm)
32720-X11	Adjusts from 23.6"W (600 mm) to 31.5"W (800 mm)
For up to 9U High Cabinet Height Difference	
32720-X16	Adjusts from 19.7"W (500 mm) to 27.6"W (700 mm)
32720-X12	Adjusts from 23.6"W (600 mm) to 31.5"W (800 mm)

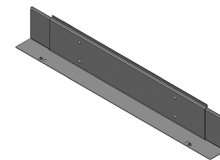
Note: X=color: 7=Black, E=Glacier White.



Universal Cabinet End Panel

Door Top Seal Kit	
Part Number	Description
For Use With Door Standoff Kit	
32817-X04	Adjusts from 48"W (1219 mm) to 59"W (1500 mm)
32817-X05	Adjusts from 59"W (1500 mm) to 70"W (1775 mm)
32817-X06	Adjusts from 70"W (1775 mm) to 81"W (2050 mm)
For Use Without Door Standoff Kit	
32817-X01	Adjusts from 48"W (1219 mm) to 59"W (1500 mm)
32817-X02	Adjusts from 59"W (1500 mm) to 70"W (1775 mm)
32817-X03	Adjusts from 70"W (1775 mm) to 81"W (2050 mm)

Note: X=color: 7=Black, E=Glacier White.



Door Top Seal Kit

Floor Mounting Template	
Part Number	Description
32875-701	For Aisle Containment Double-Door, Black
32875-702	For Aisle Containment Single Door, Black

Note: Reusable, order one per site.



Floor Mounting Template

HOW TO GET STARTED

The specific combination of components needed to create a complete Cabinet-Supported Cold Aisle Containment Solution (CAC) depends on a number of factors, including room layout, ceiling height and what size of cabinets models are selected.

To ensure you have a complete solution that addresses site- and cabinet-specific requirements, please contact CPI Technical Support for assistance developing a Bill of Materials (BOM).

Based on your input, CPI Technical Support will propose a complete solution with a drawing and detailed BOM. They will take the time to explain each selection, so you have a complete understanding of how CPI solutions will provide

Example Bill Of Materials (BOM) / Cabinet-Supported Cold Aisle Containment (CAC) Solution			
Item	Part Number	Description	Qty.
1	ZB15-A120A-E1	ZetaFrame Cabinet; 84.6"H x 23.6"W x 47.2"D (2149 mm x 600 mm x 1200 mm); 45U; Single Locking Perforated Metal Front Door; Double Locking Perforated Metal Rear Door; Top Panel With 4 Grommet-Sealed Cable Openings; 2 Locking Solid Side Panels; No Bottom Panel	20
2	32710-E75	Cabinet-Supported Ceiling Panel Kit, 8"H (200 mm), 20'L (6.0 m), Glacier White	1
3	32805-E01	Aisle Containment Door Mounting Bracket Kit, 5"H (125 mm), Flush Mount, 4.3" (109 mm) W x 5.5" (140 mm) L x 5" (127 mm) H, Glacier White	2
4	32770-E02	Aisle Containment Double Door Assembly, Glacier White	2
5	39996-E00	Floor Seal Kit For ZetaFrame Cabinet; For 23.6"W (600 mm) Cabinet; For Front and Rear; Glacier White	20
6	39997-E16	Floor Seal Kit For ZetaFrame Cabinet; For 47.2"D (1200 mm) Cabinet; For Right and Left Sides; Glacier White	4
Recommended Accessories			
	32875-701	Installation Template, Aisle Containment Double Door Assembly	1
	34537-702	Snap-In Filler Panel, 1U x 19"EIA, Black, Pack of 50	2
	34538-702	Snap-In Filler Panel, 2U x 19"EIA, Black, Pack of 50	2
	13671-002	Raised Floor Grommet, 10 Pack, Black	2



All suggestions and performance statements are based on using an overall approach to airflow containment through the use of CPI Products and solutions. For more information about CPI's Aisle Containment Services or products, call 800-834-4969, email techsupport@chatsworth.com or contact your Regional Sales Manager.

chatsworth.com
techsupport@chatsworth.com
 800-834-4969



While every effort has been made to ensure the accuracy of all information, CPI does not accept liability for any errors or omissions and reserves the right to change information and descriptions of listed services and products.

©2024 ©2024 Chatsworth Products, Inc. All rights reserved. Chatsworth Products, Klik-Nut, CPI, CPI Passive Cooling, CUBE-IT, eConnect, Elevate, EuroFrame, Evolution, GlobalFrame, MegaFrame, Motive, Oberon, QuadraRack, RMR, Saf-T-Grip, Secure Array, SeismicFrame, SlimFrame, TeraFrame, Velocity, Wi-Tile and ZetaFrame are federally registered trademarks of Chatsworth Products. H-Plane, Hi-Bar, In-Plane, M-Frame, NetPoint, Simply Efficient, and Skybar are trademarks of Chatsworth Products. All other trademarks belong to their respective companies. v09/24 MKFCPI-557