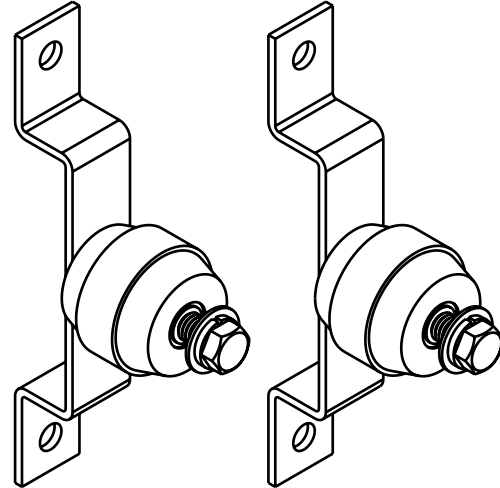


Busbar Insulator Assemblies

CPI offers standalone Insulator Assemblies for Busbars.

- Pair of assemblies consists of:
 - 2 stainless steel bolts, 3/8"W x 5/8"L (9.5 mm x 16 mm)
 - 4 lock washers, 3/8" (9.5 mm)
 - 4 flat washers, 3/8" (9.5 mm)
 - 2 stainless steel bolts, 3/8"W x 3/4"L (9.5 mm x 19 mm)
 - 2 insulators, 3/8"W x 1-1/2"L (9.5 mm x 38.1 mm)
 - 2 stainless steel wall brackets, 1"W (25.4 mm)
- Ships preassembled



Sold in pairs

ORDERING INFORMATION

Part Number	Description	Shipping Weight lb (kg)
10622-000	Busbar Insulator Assemblies, 1 Pair	4 (1.8)

United States

Agoura Hills, CA
800-834-4969

Canada

Toronto, Ontario, Canada
+905-850-7770

Europe

Buckinghamshire, UK
+441628524834

Middle East & Africa

Dubai, UAE
+971-4-2602125

Doha, Qatar
+974-4-267422

Latin America

+52-55-5203-7525
Toll Free within Mexico
800-201-7592
chatsworth.com.co

Asia Pacific

+86 21 6880-0266
chatsworth.com.cn



CHATSWORTH
PRODUCTS