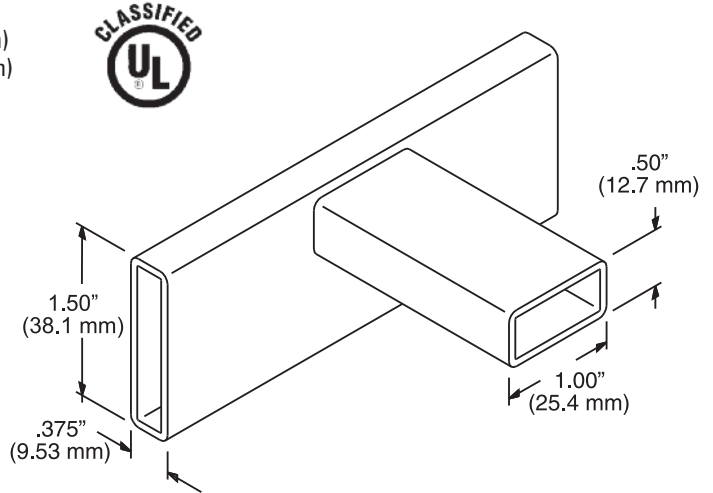


Product Cut Sheet

UL Classified Cable Runway

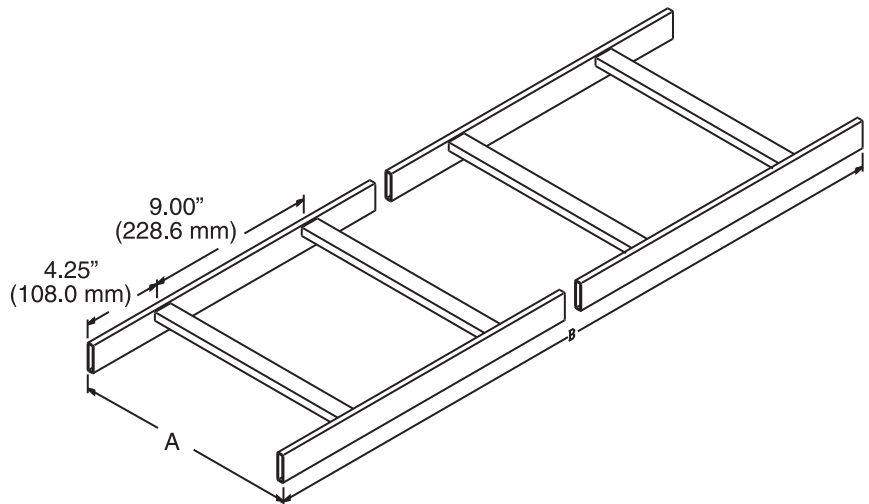
Similar in construction to our TELCO Style Cable Runway (11252 Series). The side stringers are 1 1/2" x 3/8" x .065" (38.1 mm x 9.53 mm x 1.65 mm) and the cross members are 1/2" x 1" x .065" (12.7 mm x 30 mm x 1.65 mm) welded at 9" (230 mm) intervals. With the runway supported every 5' (1.5 m), maximum load with minimal deflection is 132 lb/ft (196 kg/m).

- Color is Gold chem film over zinc plating or black chem
- Underwriters Laboratory Classified for suitability (as an equipment grounding conductor only)
- The overall length is 9' 8-1/2"/116.5" (2959 mm) to comply with TELCO-Style standards
- Individually boxed to prevent scratching and damage
- Installation Best Practices includes Runway Elevation Kit



Part Number	Width (Dim. A) in (mm)	Length (Dim. B) in (mm)	Shipping Weight lb (kg)
11275-X06	6 (150)	9' 8-1/2 (2959)	19 (8.6)
11275-X09	9 (230)	9' 8-1/2 (2959)	20 (9.1)
11275-X12	12 (300)	9' 8-1/2 (2959)	22 (10.0)
11275-X15	15 (380)	9' 8-1/2 (2959)	26 (11.8)
11275-X18	18 (460)	9' 8-1/2 (2959)	28 (12.7)
11275-X20	20 (510)	9' 8-1/2 (2959)	29 (13.2)
11275-X24	24 (610)	9' 8-1/2 (2959)	31 (14.1)

X=color over zinc: 0=Gold, 7=Black



800-834-4969 in U.S. & Canada • www.chatsworth.com



CHATSWORTH PRODUCTS, INC.

©2012 Chatsworth Products, Inc. All rights reserved. CPI, CPI Passive Cooling, MegaFrame, Saf-T-Grip, Seismic Frame, SlimFrame, TeraFrame, GlobalFrame, Cube-iT Plus, Evolution, OnTrac, QuadraRack and Velocity are federally registered trademarks of Chatsworth Products, Inc. eConnect and Simply Efficient are trademarks of Chatsworth Products, Inc. All other trademarks belong to their respective companies. 07/12