

# Product Cut Sheet

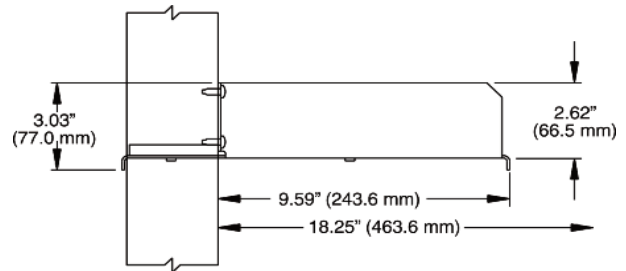
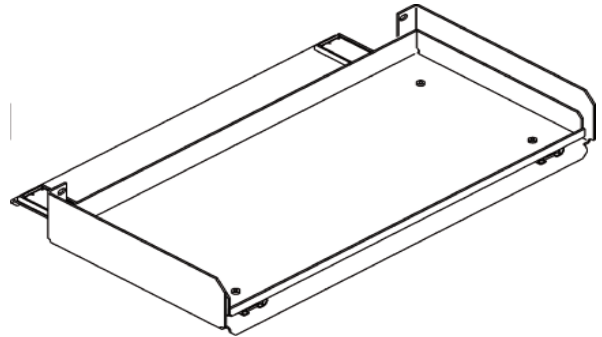
## 19" FULL SIZE SLIDING KEYBOARD TRAY

Tray holds full size keyboard with slide mounted under shelf to provide maximum tray width. Mounting hardware not included. Extends approximately 9" (230 mm) for full access to keyboard. Fits up to 19.25"W x 9"D (489 mm x 230 mm) keyboards. Made of strong, lightweight aluminum.

*Note: Does not support the mouse pad attachment.*

Part Number	Description	Shipping Weight lb (kg)
11546-X01	19" Full Size Keyboard Tray	9 (4.1)

X=color: 1=Gray, 2=Computer Beige, 5=Clear, 7=Black, E=Glacier White



800-834-4969 in U.S. & Canada • [www.chatsworth.com](http://www.chatsworth.com)



CHATSWORTH PRODUCTS

©2013 Chatsworth Products, Inc. All rights reserved. CPI, CPI Passive Cooling, GlobalFrame, MegaFrame, Saf-T-Grip, Seismic Frame, SlimFrame, TeraFrame, Cube-IT Plus, Evolution, OnTrac, Velocity and QuadraRack are federally registered trademarks of Chatsworth Products. eConnect and Simply Efficient are trademarks of Chatsworth Products. All other trademarks belong to their respective companies. 6/13