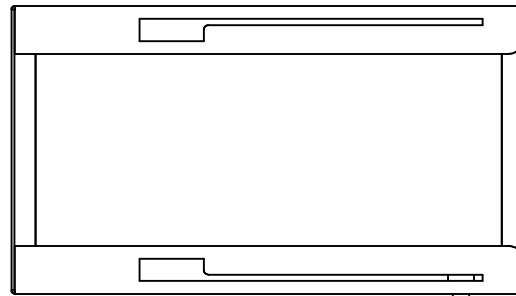
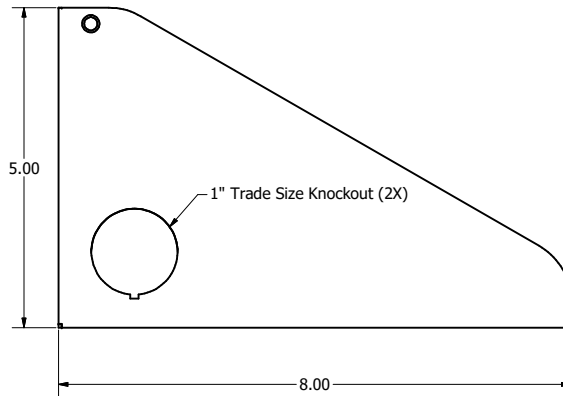
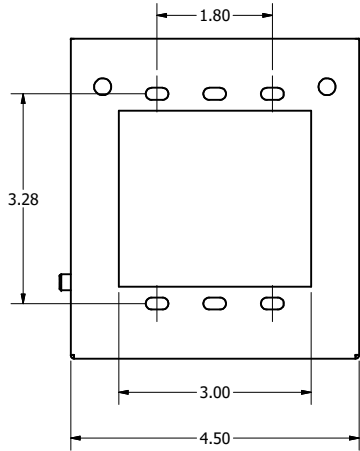
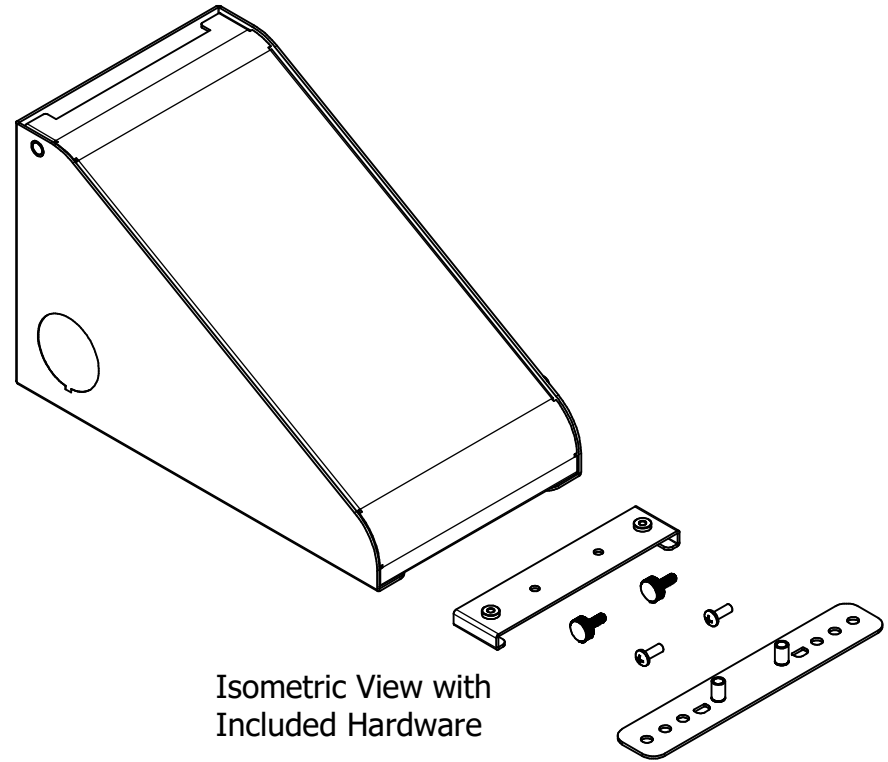


REVISION HISTORY				
ZONE	REV	DESCRIPTION	DATE	APPROVED
All	1	Released	7/12/2017	RLC
All	2	Added "Color Options" to Notes	10/4/2017	RLC
All	3	Updated Titleblock, Views, "Includes" List, and Notes	2/11/2020	CAH



**NOTE:**

- Weight: 2 lbs
- Material: 18 Ga. White Powder Coated Steel

**Includes:**

- (1) Right Angle Wall Mount
- (1) T-Bar Bracket Assembly

NOTE: All materials used in the construction of Oberon products must be RoHS compliant and meet RoHS2 Directive 2011/65/EU. Contact Oberon engineering if RoHS compliant materials are not available.

DRAWN CAH	2/11/2020	Oberon, Inc. - 1315 S. Allen St. - State College, PA 16801		
CHECKED CAH	2/11/2020	TITLE		
QA		Model 1004-00-WH		
MFG CAH	2/11/2020	SIZE C	DWG NO 1004-00-WH	REV 3
APPROVED CAH	2/11/2020	SCALE	SHEET 1 OF 1	
TOLERANCE:	.0 = +/- .030 .00 = +/- .015 .000 = +/- .005			