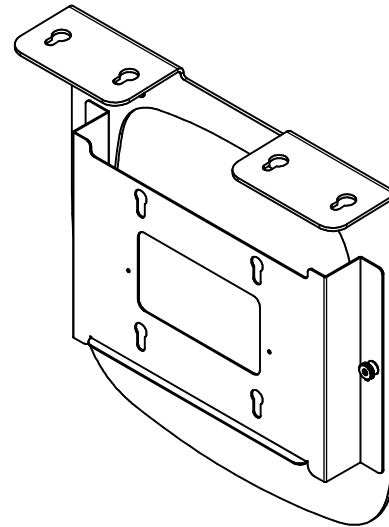
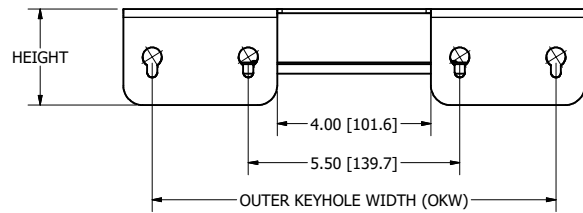


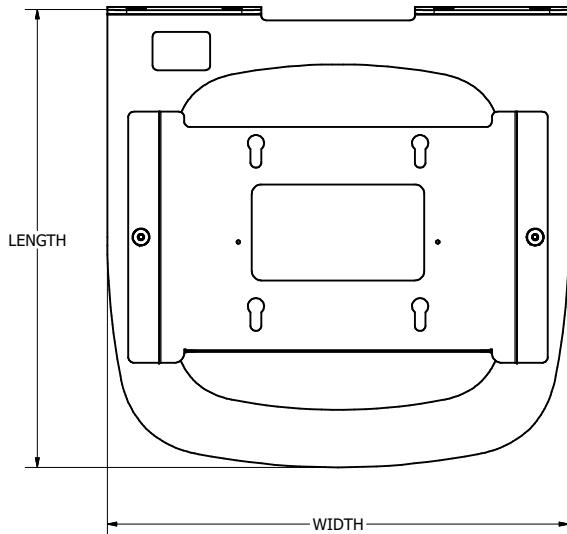
REVISION HISTORY				
ZONE	REV	DESCRIPTION	DATE	APPROVED
All	1	Released	10/6/2021	CAH
All	2	Updated table	7/11/2022	RLC

RIGHT-ANGLE BRACKET

**NOTE: Mount Cutout
Specific to Access Point



ISOMETRIC VIEW



CONFIGURATION TABLE					
MODEL NUMBER	ACCESS POINT	LENGTH (in)	WIDTH (in)	HEIGHT (in)	OKW (in)
1006-COAP9115	Cisco 9115i	10.3	10.3	2.5	8.8
1006-COAP9117	Cisco 9117i	11.0	11.0	2.5	9.5
1006-COAP9120	Cisco 9120i	11.1	10.8	2.5	9.3
1006-COAP9130	Cisco 9130i	12.0	12.0	2.5	10.5
1006-COAP9136	Cisco 9136i	13.1	13.1	2.5	11.3

NOTES:

- Weight: 3 lbs.
- Material: 12 Ga. White Powder Coated Steel Base
16 Ga. White Powder Coated Steel Mounting Bracket

Includes:

- (1) Right-Angle Bracket, Specific to Access Point
- (4) Hollow Tip Wall Anchors
- (4) Snap Caps
- Access Point Attachment Hardware

DRAWN CAH	10/6/2021	Oberon, Inc. - 1315 S. Allen St. - State College, PA 16801		
CHECKED RLC	7/11/2022	TITLE		
QA		Model 1006-COAP91XX		
MFG RLC	7/11/2022	SIZE C	DWG NO 1006-COAP91XX	REV 2
APPROVED RLC	7/11/2022	SCALE	SHEET 1 OF 1	
TOLERANCE:	.0 = +/- .030 .00 = +/- .015 .000 = +/- .005			