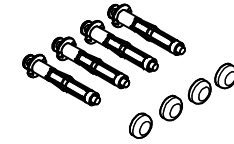
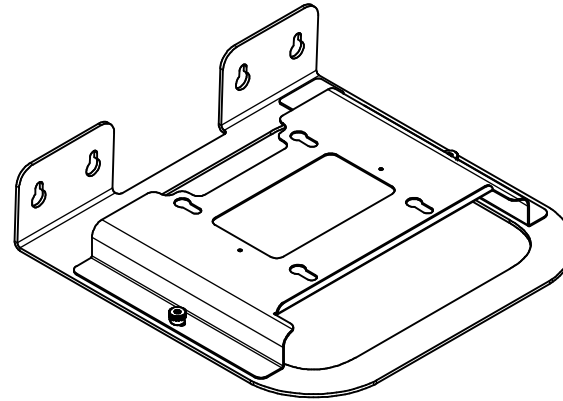
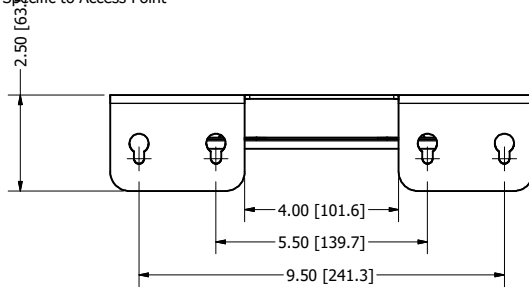


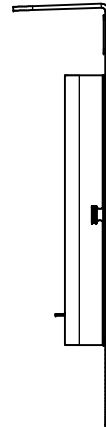
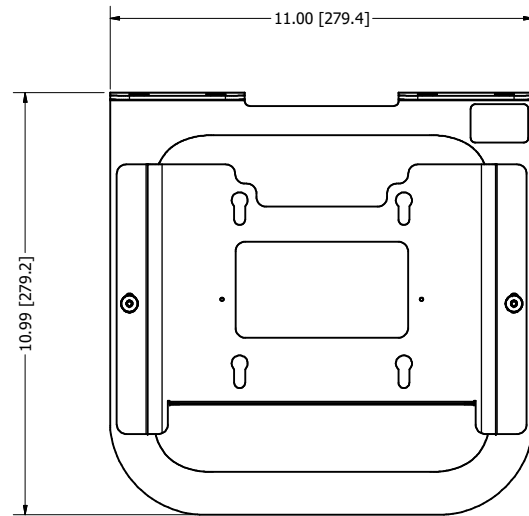
REVISION HISTORY				
ZONE	REV	DESCRIPTION	DATE	APPROVED
All	1	Updated table	7/11/2022	RLC

RIGHT-ANGLE BRACKET

**NOTE: Mount Cutout Specific to Access Point



ISOMETRIC VIEW



NOTES:

- Weight: 3 lbs.
- Material: 12 Ga. White Powder Coated Steel Base
16 Ga. White Powder Coated Steel Mounting Bracket

Includes:

- (1) Right-Angle Bracket, Specific to Access Point
- (4) Hollow Tip Wall Anchors
- (4) Snap Caps
- Access Point Attachment Hardware

DRAWN	RLC	10/6/2021	Oberon, Inc. - 1315 S. Allen St. - State College, PA 16801	
CHECKED	RLC	7/11/2022	TITLE	
QA			Model 1006-MIST43	
MFG	RLC	7/11/2022	SIZE	DWG NO
APPROVED	RLC	7/11/2022	C	Model1006-MIST43
TOLERANCE:	.0 = +/- .030		SCALE	REV
	.00 = +/- .015			1
	.000 = +/- .005			SHEET 1 OF 1