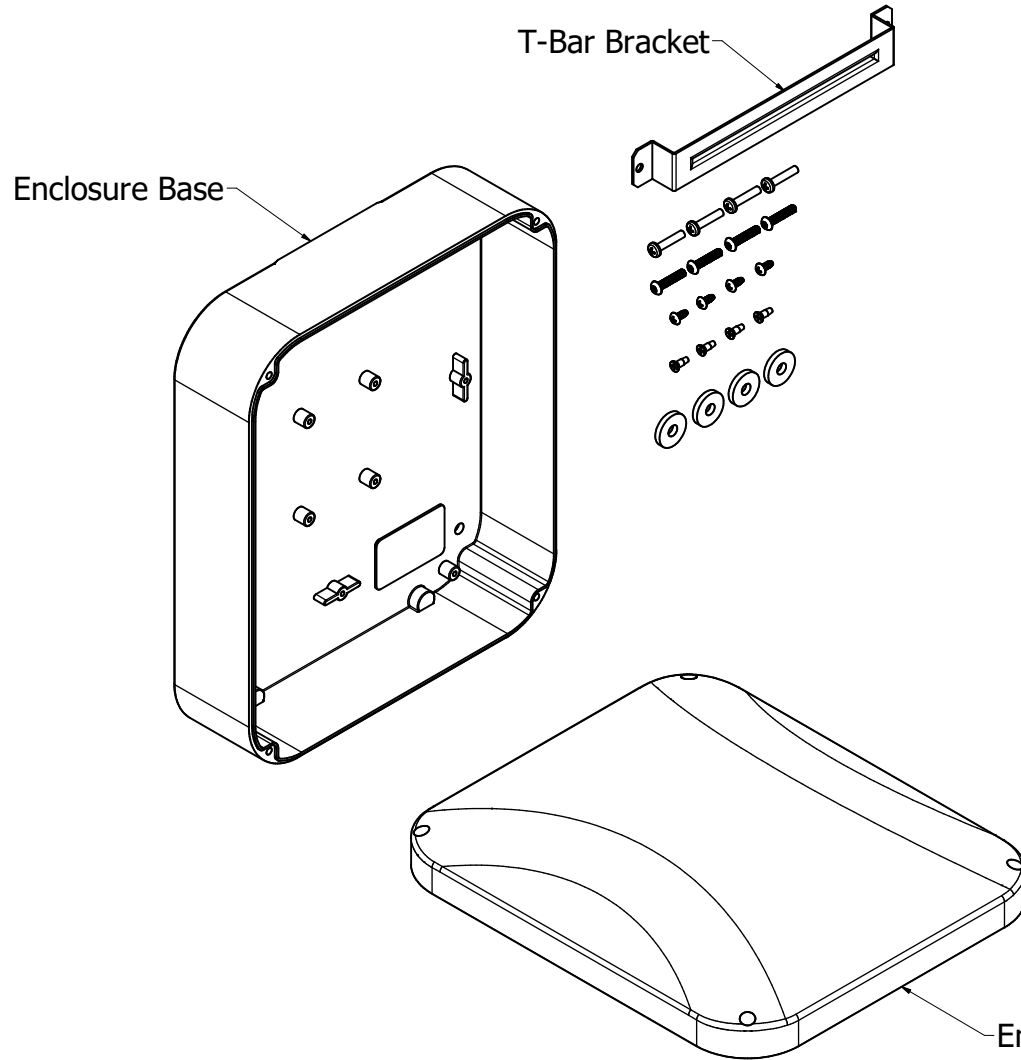


REVISION HISTORY				
ZONE	REV	DESCRIPTION	DATE	APPROVED
All	1	Released	10/31/2022	KLD



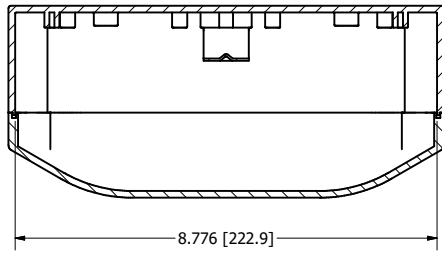
NOTE:

- Weight: 2 lbs.
- Material: Gray Textured UL94-V0 Polycarbonate Enclosure Base
Gray Textured UL94-V0 Polycarbonate Enclosure Cover (For -00 SKUs Only)
Clear Textured UL94-V0 Polycarbonate Enclosure Cover (For -C SKUs Only)
18 Ga. White Powder Coated Steel T-Bar Bracket

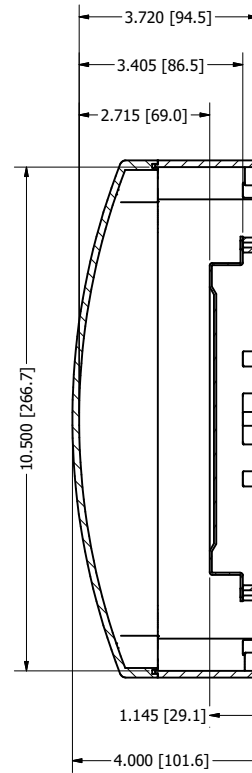
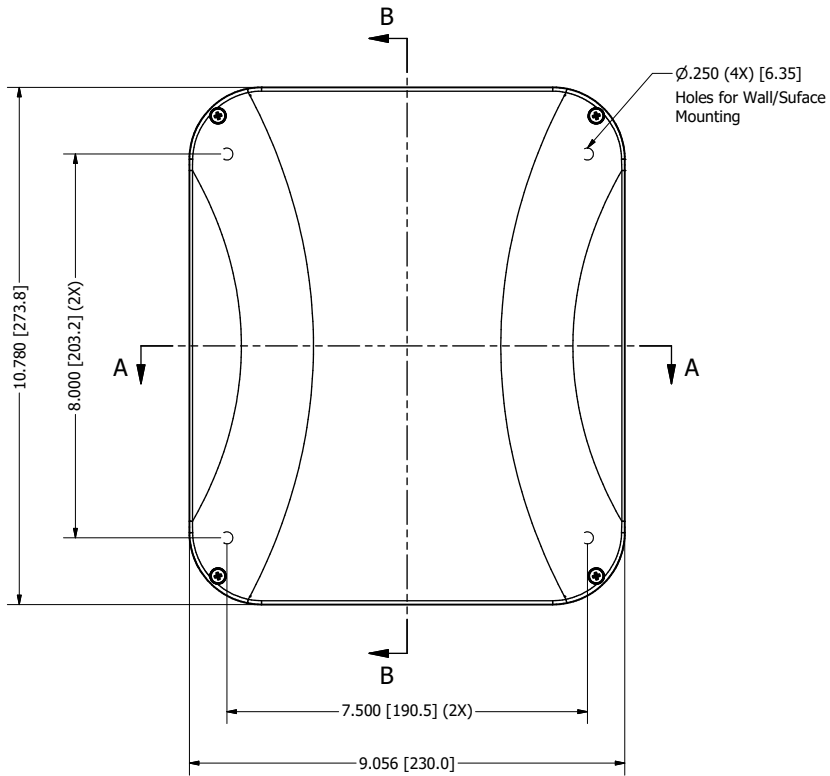
Includes:

- (1) Enclosure
- (1) T-Bar Bracket
- (4) M4 x 20 mm Captive Phillips Lid Screws
- (4) M4 x 20 mm Captive Torx Lid Screws
- (4) #6 x 5/16 in. Pan Head Thread-Forming Screws for Plastic
- (4) #6 x 5/16 in. Flat Head Thread-Forming Screws for Plastic
- (4) Cushioning Washers

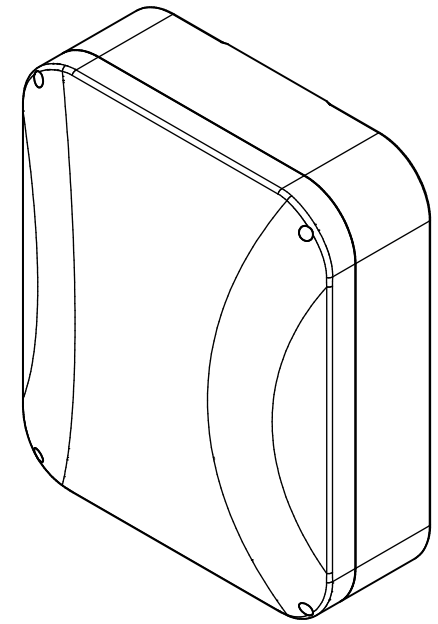
Oberon, Inc. - 1315 S. Allen St. - State College, PA 16801			
TITLE			
Model 1014-00-IND			
SIZE	DWG NO	DATE	
C	1014-00-IND for CUT	10/31/2022	
SCALE	SHEET 1 OF 3		



SECTION A-A
SCALE 1 / 2



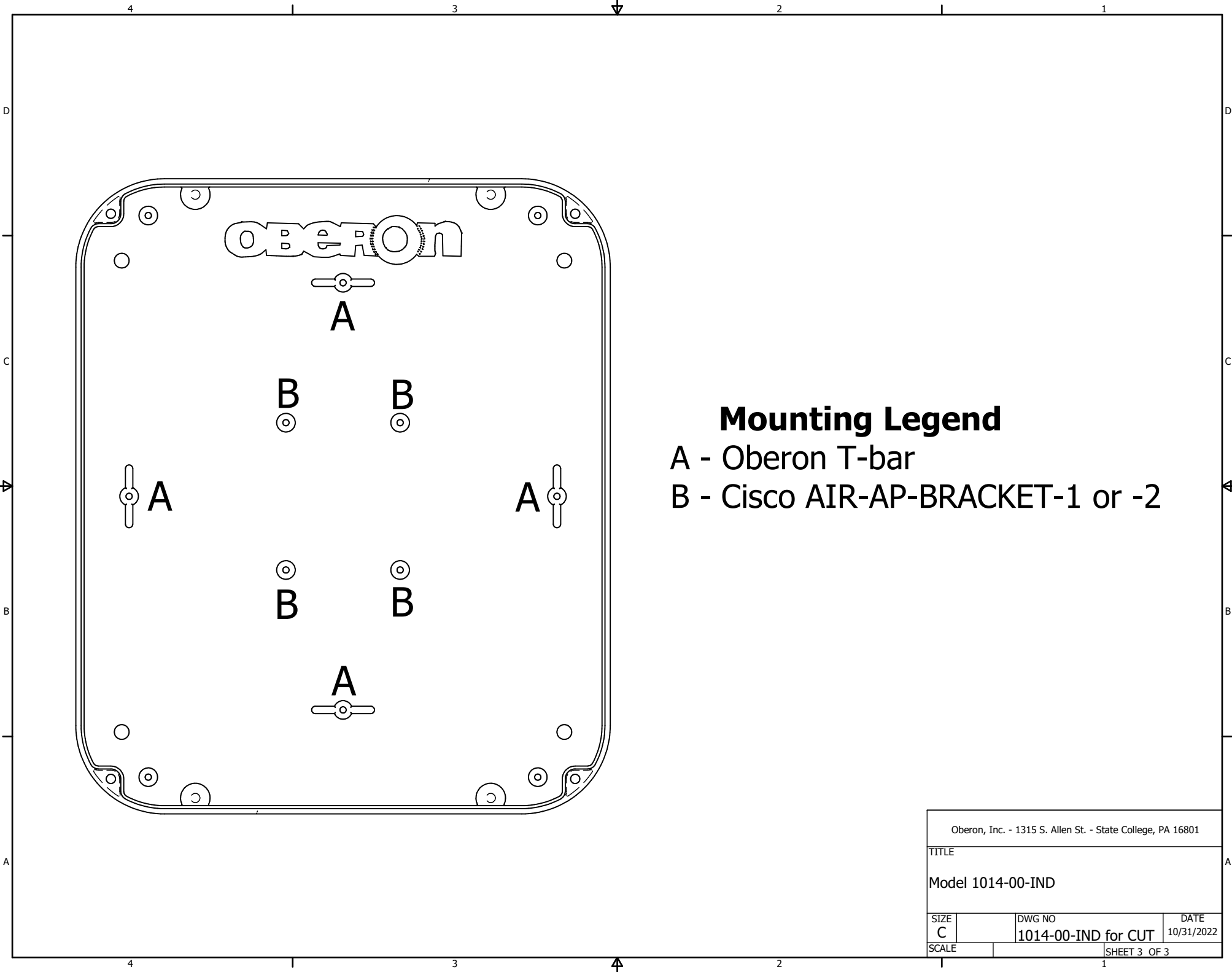
SECTION B-B
SCALE 1 / 2



ISOMETRIC VIEW

Oberon, Inc. - 1315 S. Allen St. - State College, PA 16801

TITLE			
Model 1014-00-IND			
SIZE	DWG NO	DATE	
C	1014-00-IND for CUT	10/31/2022	
SCALE	SHEET 2 OF 3		



OBERON

A

B

B

A

A

B

B

A

Mounting Legend

A - Oberon T-bar

B - Cisco AIR-AP-BRACKET-1 or -2

Oberon, Inc. - 1315 S. Allen St. - State College, PA 16801			
TITLE			
Model 1014-00-IND			
SIZE	DWG NO	DATE	
C	1014-00-IND for CUT	10/31/2022	
SCALE	SHEET 3 OF 3		