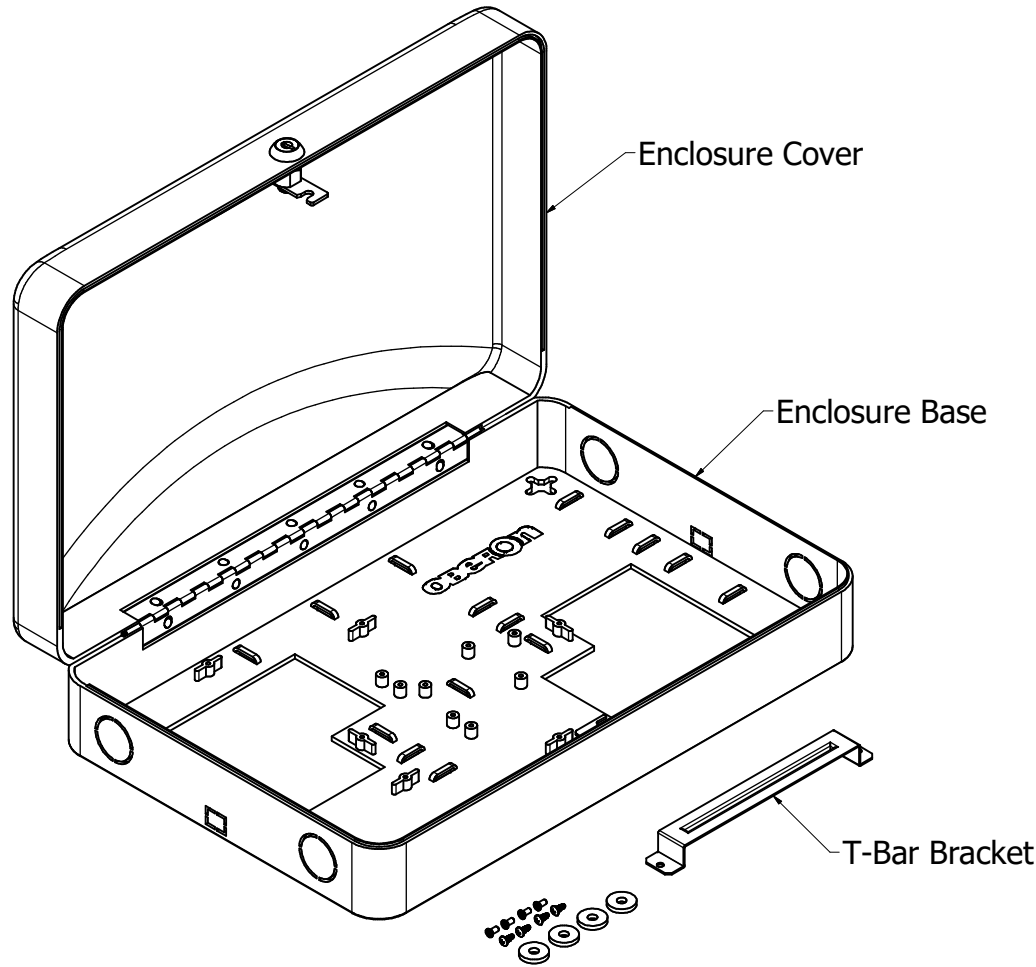


REVISION HISTORY				
ZONE	REV	DESCRIPTION	DATE	APPROVED
All	E	Released	2/18/2014	EAS
All	2	Revised Annotation and Legend	7/22/2019	DLV
All	3	Updated Notes, Includes List, Views, and Mounting Legend	5/29/2020	CAH
All	4	Updated "Includes" List	6/12/2020	CAH



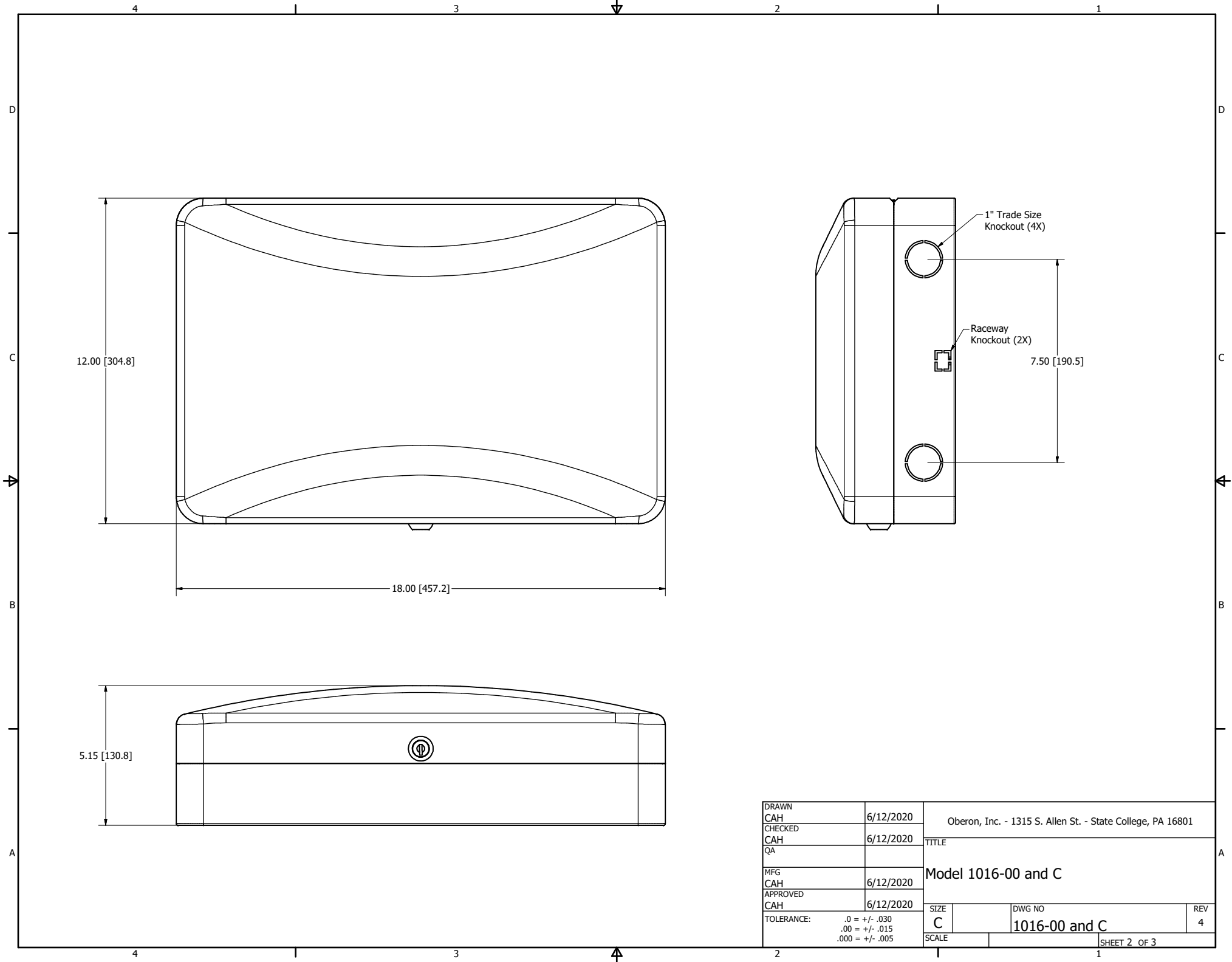
NOTE:

- Weight: 5 lbs.
- Material: White Textured UL94-V0 Polycarbonate Enclosure Base
White Textured UL94-V0 Polycarbonate Enclosure Cover (For -00 SKUs Only)
Clear Textured UL94-V0 Polycarbonate Enclosure Cover (For -C SKUs Only)
18 Ga. White Powder Coated Steel
T-Bar Bracket

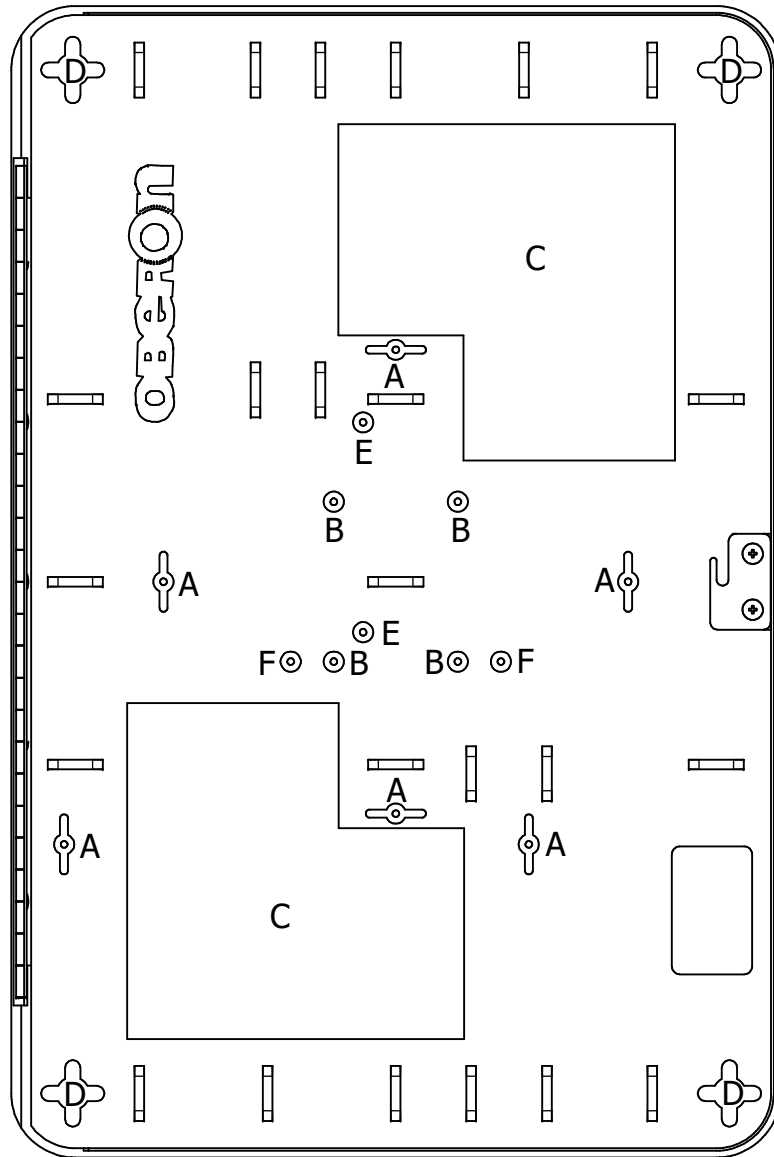
Includes:

- (1) Enclosure with Keyed Lock
- (1) T-Bar Bracket
- (4) #6 x 5/16 in. Flat Head Thread-Forming Screws for Plastic
- (4) #6 x 5/16 in. Pan Head Thread-Forming Screws for Plastic
- (4) Cushioning Washers
- (2) Keys for Lock

DRAWN CAH	6/12/2020	Oberon, Inc. - 1315 S. Allen St. - State College, PA 16801		
CHECKED CAH	6/12/2020	TITLE		
QA		Model 1016-00 and C		
MFG CAH	6/12/2020	SIZE C	DWG NO 1016-00 and C	REV 4
APPROVED CAH	6/12/2020	SCALE	SHEET 1 OF 3	
TOLERANCE:		.0 = +/- .030		
		.00 = +/- .015		
		.000 = +/- .005		



DRAWN CAH	6/12/2020	Oberon, Inc. - 1315 S. Allen St. - State College, PA 16801		
CHECKED CAH	6/12/2020	TITLE		
QA		Model 1016-00 and C		
MFG CAH	6/12/2020	SIZE	DWG NO	REV
APPROVED CAH	6/12/2020	C	1016-00 and C	4
TOLERANCE:		SCALE		SHEET 2 OF 3
.0 = +/- .030				
.00 = +/- .015				
.000 = +/- .005				



Mounting Legend

- A - Oberon T-Bar
- B - Cisco AIR-AP-BRACKET-2
- C - Telecommunications Outlet Cutouts
- D - Wall Hanging Keyhole Slots
- E - Single Gang Outlet Box
- F - Single Gang Outlet Box for Meraki MA-MNT-MR Mounting Plates

DRAWN CAH	6/12/2020	Oberon, Inc. - 1315 S. Allen St. - State College, PA 16801		
CHECKED CAH	6/12/2020	TITLE		
QA		Model 1016-00 and C		
MFG CAH	6/12/2020	SIZE C	DWG NO 1016-00 and C	REV 4
APPROVED CAH	6/12/2020	SCALE	SHEET 3 OF 3	
TOLERANCE:				
.0 = +/- .030				
.00 = +/- .015				
.000 = +/- .005				