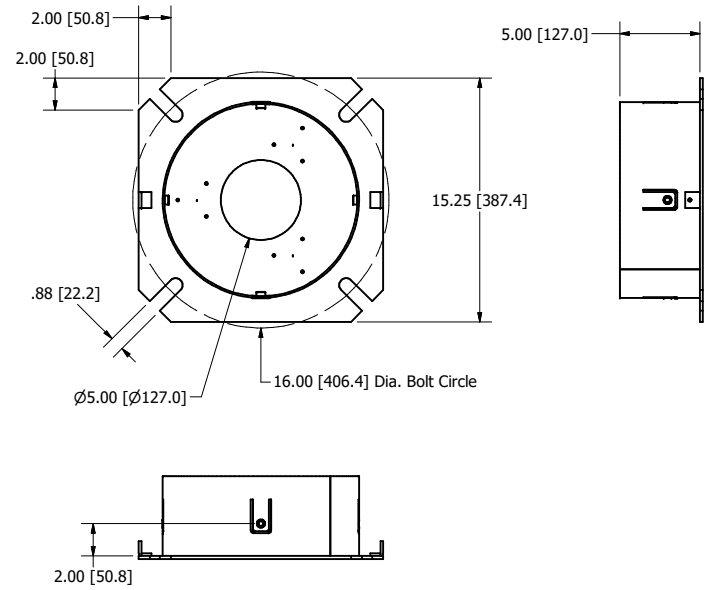
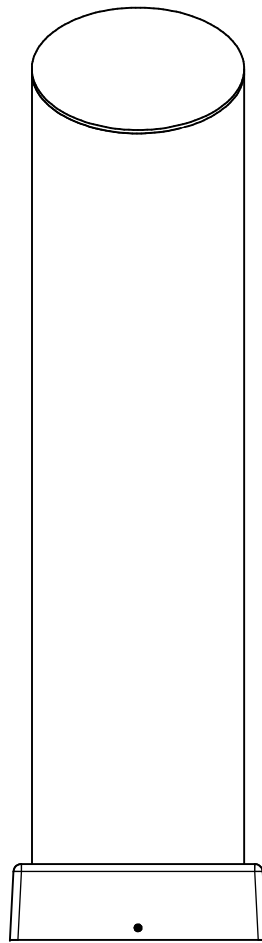
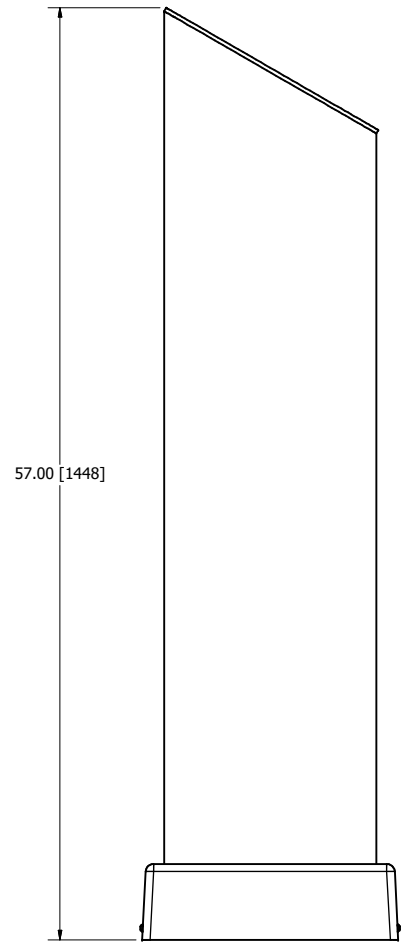
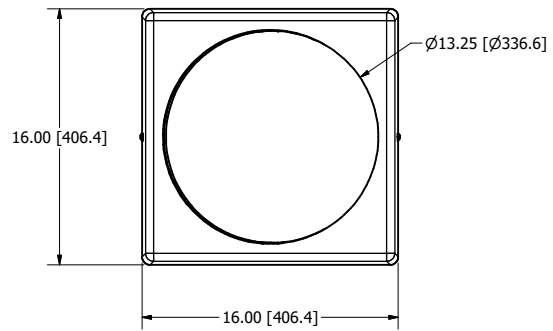


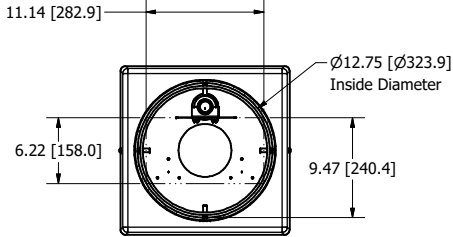
PARTS LIST		
ITEM	QTY	DESCRIPTION
1	1	Fiber Glass Bollard Tube
2	1	ABS Bolt Cover
1	1	Cisco Mounting Bracket
2	1	1.25" Pole Fitting
3	1	Right Angle Equipment Bracket
4	1	50" x 1.25" Dia. Equipment Pole
5	2	1-7/16" Clamping U-Bolt
6	1	5/32" Hex Pin In Bit
7	1	WiFi Decal
8	3	#10-32 Flat Head Screws
9	1	G90 Galvanized Steel Anchor Base
10	2	1/4-20 Hex Pin in Bit Tamper Resistant Screws
11	1	Installation Instruction Sheet
12	4	3/8-16 Screws
13	4	Cross Recessed Pan Head Machine Screw - Type I
14	2	STEP AP203
15	4	Chamfered Bottom Hex Machine Screw Nuts

Oberon, Inc. - 1315 S. Allen St. - State College, PA 16801		
TITLE		
Model 3030-00 Bollard		
SIZE	DWG NO	DATE
C	3030-00	7/22/2022
SCALE	SHEET 1 OF 4	

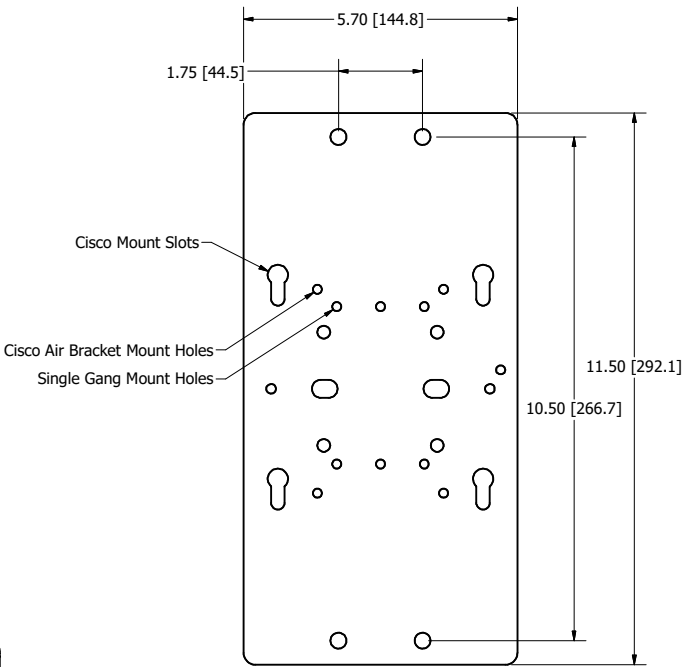


Oberon, Inc. - 1315 S. Allen St. - State College, PA 16801		
TITLE		
Model 3030-00 Bollard		
SIZE	DWG NO	DATE
C	3030-00	7/22/2022
SCALE	SHEET 2 OF 4	

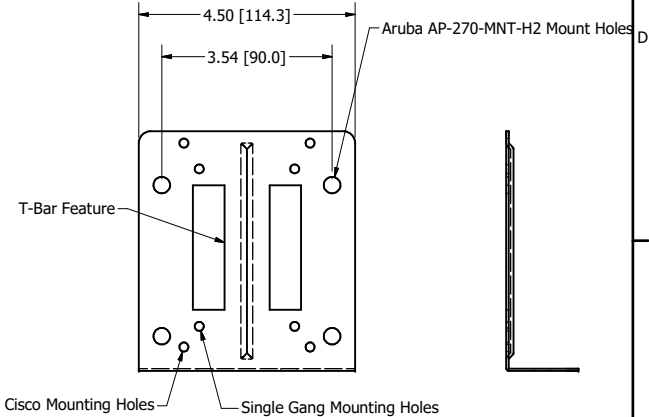
INCLUDED MOUNTING BRACKETS



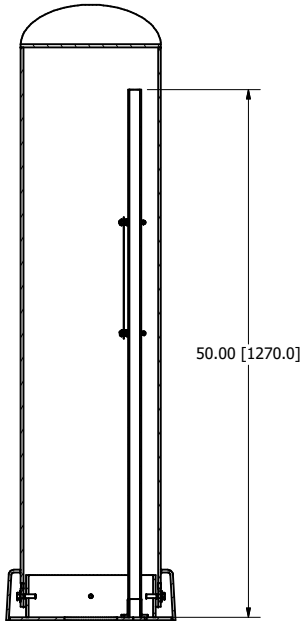
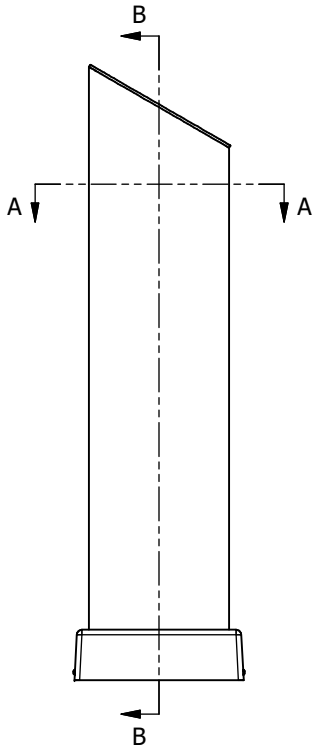
SECTION A-A  
SCALE 0.11 : 1



CISCO BRACKET

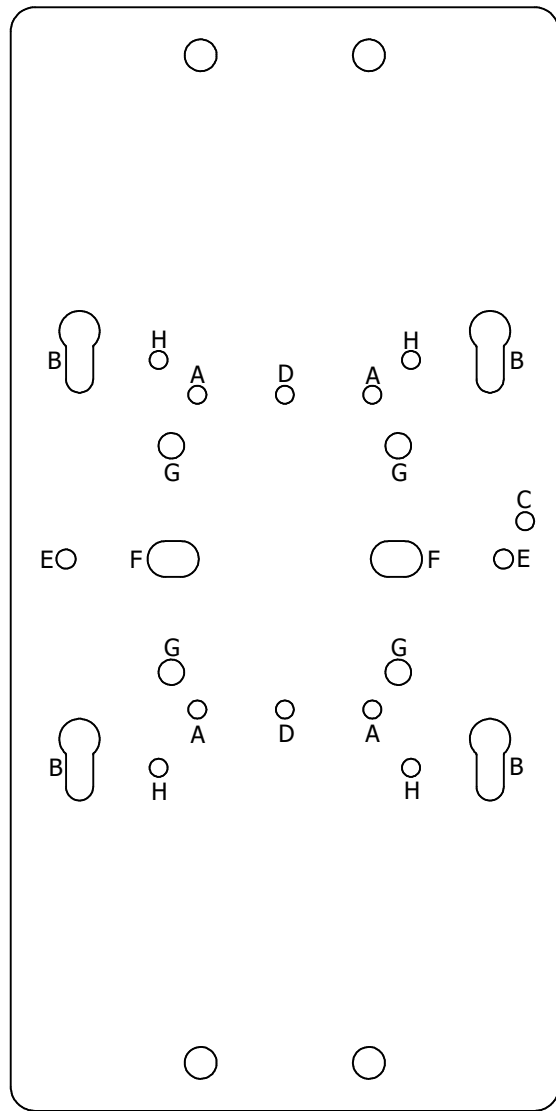


RIGHT ANGLE EQUIPMENT BRACKET



SECTION B-B  
SCALE 0.11 : 1

Oberon, Inc. - 1315 S. Allen St. - State College, PA 16801		
TITLE		
Model 3030-00 Bollard		
SIZE	DWG NO	DATE
C	3030-00	7/22/2022
SCALE	SHEET 3 OF 4	



### MOUNTING HOLE LEGEND

- A: Cisco AIR-BRACKET-2
- B: Cisco Mounting Feet Direct Attach
- C: Cisco Locking Screw
- D: Single Gang Mounting Spacing
- E: Aruba 5XX Series Direct Mount
- F: Cisco 9124AXI Direct Mount
- G: Cisco 1532 & 1562 Direct Mount

Oberon, Inc. - 1315 S. Allen St. - State College, PA 16801			
TITLE			
Model 3030-00 Bollard			
SIZE	DWG NO	DATE	
C	3030-00	7/22/2022	
SCALE	SHEET 4 OF 4		