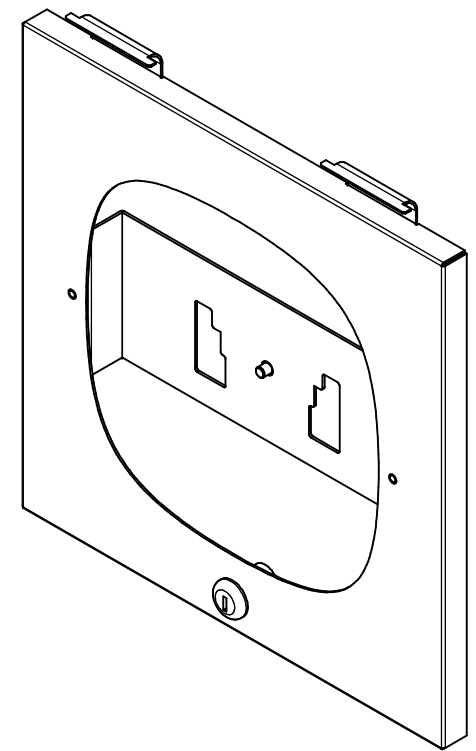
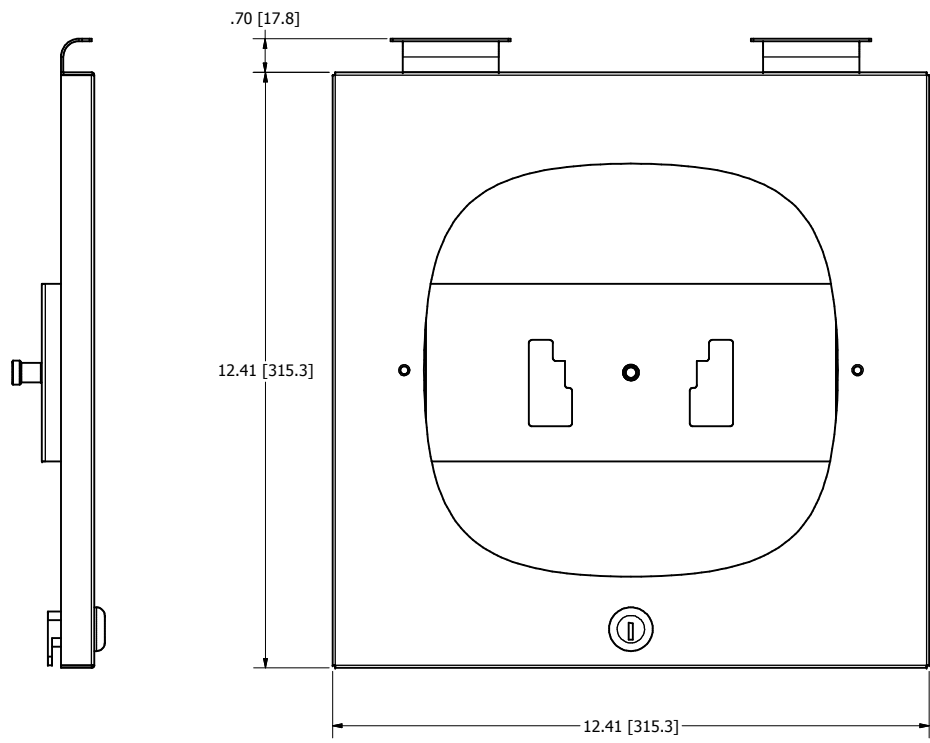
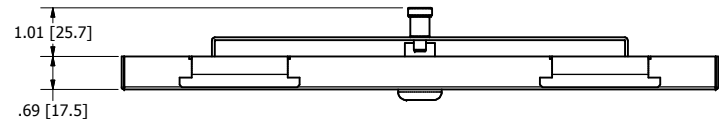


REVISION HISTORY				
ZONE	REV	DESCRIPTION	DATE	APPROVED
All	1	Released	3/21/2018	ATK

D
C
B
A

D
C
B
A



NOTES:

- Weight: 2.5 lbs.
- Material: 18 Gauge Steel Door White Powder Coat
20 Gauge Galvanized Steel Mounting Plate

Includes:

-Installation Hardware Specific to Access Point

DRAWN ATK	3/21/2018	Oberon, Inc. - 1315 S. Allen St. - State College, PA 16801		
CHECKED ATK	3/21/2018	TITLE		
QA		Model 38-46-Aruba Door		
MFG ATK	3/21/2018	SIZE C	DWG NO 38-46-Aruba	REV 1
APPROVED ATK	3/21/2018	SCALE	SHEET 1 OF 1	
TOLERANCE:	.0 = +/- .030 .00 = +/- .015 .000 = +/- .005			

NOTE: All materials used in the construction of Oberon products must be RoHS compliant and meet RoHS2 Directive 2011/65/EU. Contact Oberon engineering if RoHS compliant materials are not available.

4 3 2 1