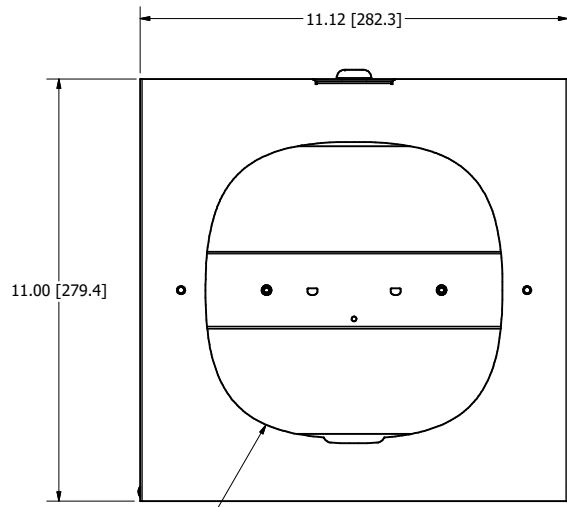
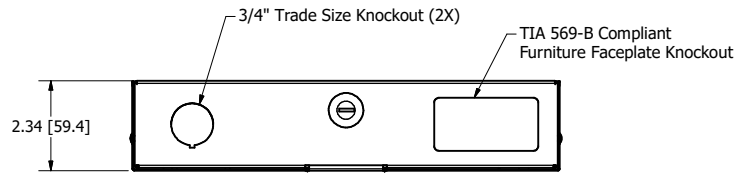


REVISION HISTORY				
ZONE	REV	DESCRIPTION	DATE	APPROVED
All	1	Released	2/23/2021	CAH

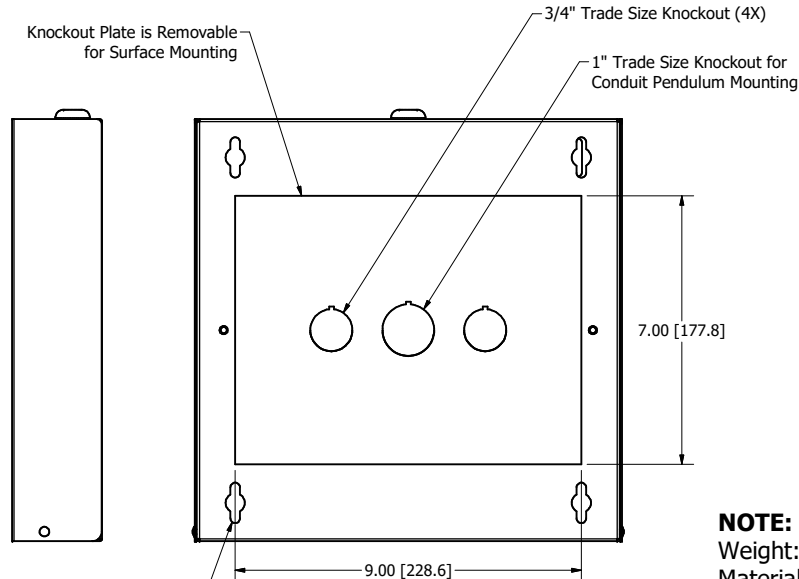


Door Cutout Specific to Access Point

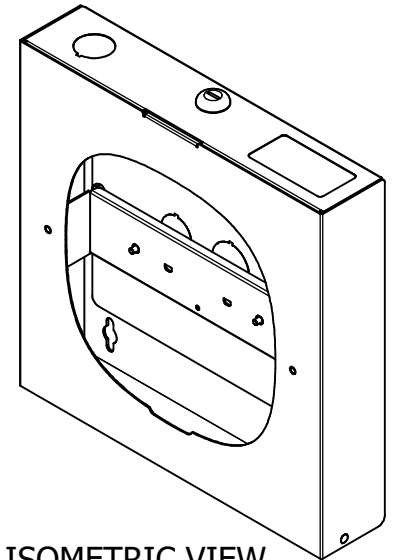
**FRONT VIEW**



Ethernet Keystone Jack Knockout (2X)



**BACK VIEW**



**ISOMETRIC VIEW**

**NOTE:**

Weight: 6 lbs.

Material: 16 Ga. White Powder Coated Steel Base  
18 Ga. (0.048") White Powder Coated Steel Knockout Plate  
20 Ga. White Powder Coated Steel Cover  
18 Ga. (0.048") Galvanized Steel Mounting Bracket (For SKUs for Aruba APs Only)  
0.040" Galvanized Steel Mounting Bracket (For SKUs for Cisco APs Only)

**Includes:**

- (1) Surface Mount Box
- (2) Keys for Lock
- Access Point Attachment Hardware

DRAWN CAH	2/23/2021	Oberon, Inc. - 1315 S. Allen St. - State College, PA 16801		
CHECKED CAH	2/23/2021	TITLE		
QA		Model 905-XX		
MFG CAH	2/23/2021	SIZE C	DWG NO 905-XX	REV 1
APPROVED CAH	2/23/2021	SCALE	SHEET 1 OF 1	
TOLERANCE:	.0 = +/- .030 .00 = +/- .015 .000 = +/- .005			