

Universal Rack

Use with vertical and horizontal cable managers to support interconnect and network equipment in telecommunications rooms, equipment rooms and data centers. Use with shelves to support equipment.



ADVANTAGES

- ➔ **Marked and Numbered rack-mount units (U)**
U marks simplify equipment installation
- ➔ **Bonding Studs**
Located directly on rack channel
- ➔ **Mounting**
Holes in base angle for floor attachment



HCAI OPM-0261

KEY FEATURES

- Supports 19" rack-mount equipment designed for two-post panel mounting like patch panels and network switches or use with shelves to support computer servers.
- Easy positioning of equipment or shelves with marked and numbered rack-mount spaces.
- Quick attachment of equipment with threaded equipment mounting holes and included equipment-mounting screws.
- Delivers unassembled in a single carton — quick and easy bolt-together assembly takes less than 10 minutes.
- Lightweight aluminum construction for easy transport and positioning during installation.
- Integrated grounding with a built-in attachment point for a ground (earthing) connection.
- Attach CPI vertical cable managers to the side of the rack through pre-punched holes.
- Secure the rack to the floor quickly with a concrete, wood or raised floor installation kit through pre-punched holes in base angle.

SPECIFICATIONS

Description	Open floor-mount two-post rack supports 19"W EIA, 23"W or 35"W rack-mount equipment
Use	For indoor use only, in environmentally controlled areas; may not be used outdoors, in industrial or harsh environments, or in plenum spaces
Available sizes	Heights: See Dimension Table
	Width: 20.3" (515.9 mm), 24.3" (617.5 mm), 26.3" (922.3 mm) Depth: 15" (381 mm)
Equipment space	Heights: See Dimension Table
	Width: 19" EIA (17-3/4" clearance), 23" (21-3/4" clearance), 35" (33-3/4" clearance) Depth: 20"D (508 mm)
Cable Management	Use vertical and horizontal cable managers, sold as accessories
Load capacity	1,500 lb (680.4 kg) of equipment; weight must be evenly distributed, and rack must be properly secured to floor
Bonding/Grounding	Top angles, base angles and side channels are electrically bonded by assembly hardware - One exception - top angles are not electrically bonded on Flush Bolted Racks (P/N 467XX) - A masked mounting location for ground lug with two 1/4-20 threaded studs spaced 5/8" apart is provided inside the side channel - Racks that are over 6'H (1.8 m) have top and bottom mounting locations - Use the CPI Grounding Jumper (P/N 40159-008) as a rack bonding conductor
Certifications	- EIA-310-D compliant
	- Select models are UL Listed as a communications circuit accessory - OSHPD Preapproval of Manufacturer's Certification (OPM-0261)
Material	Aluminum extrusion
Construction	Bolted assembly, Ships unassembled
Finish	Clear grained aluminum or Epoxy-polyester hybrid powder coat paint. Available in black, gray, computer beige or glacier white

Availability Statement

United States

Agoura Hills, CA
800-834-4969

Canada

Toronto, Ontario, Canada
+905-850-7770
chatsworth.com • techsupport@chatsworth.com

Europe

Buckinghamshire, UK
+441628524834

Middle East & Africa

Dubai, UAE
+971-4-2602125

Doha, Qatar

+974-4-267422

Latin America

+52-55-5203-7525
Toll Free within Mexico
800-201-7592
chatsworth.com.co

Asia Pacific

Shanghai
+86 21 6880-0266
chatsworth.com.cn



CHATSWORTH
PRODUCTS

ORDERING MATRIX:

- UL Listed racks offered in multiple heights and 19" or 23" widths
- For heavy-duty, high-capacity installations.

Top Bar or Angles	
460	Two Top Bars
463	Two Top Angles
467	Two Top Angles, Flush Bolted
483	UL Listed (With Two Top Angles)

Width - in	
5	19 EIA Channel
8	23 Channel

Mounting Holes	
3	Mounting Holes Both Sides

Color	
1	Gray
2	Computer Beige
5	Clear
7	Black
E	Glacier White

Height		
31	3 (0.9)	17U
20	4 (1.2)	24U
19	5 (1.5)	31U
00	5.6 (1.7)	34U
01	6 (1.8)	38U
02	6.6 (2.0)	41U
03	7 (2.1)	45U
05	7.6 (2.3)	48U
15	8 (2.4)	51U
17	8.6 (2.6)	55U
08	9 (2.7)	58U

4XX	X	X	-	X	XX
-----	---	---	---	---	----

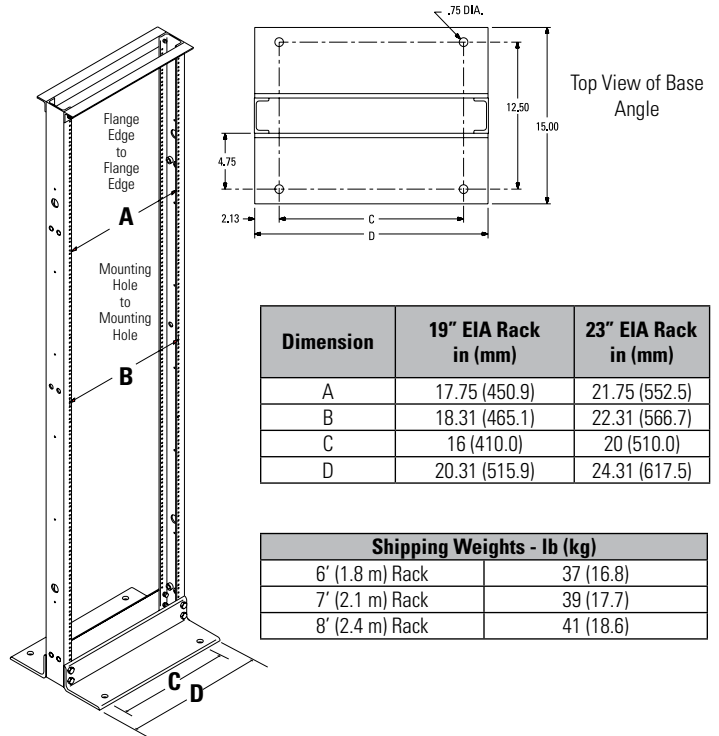
Universal Rack is a heavy duty storage solution for patch panels and network switches and can be used with shelves to hold computer servers. Universal Rack uses less floor space than a cabinet or a four-post rack. Use Universal Rack in telecommunications rooms or equipment rooms to save floor space and hold heavy equipment.

Universal Rack meets project specifications. Universal Rack holds 1,500 lb (680.4 kg) of equipment, has integrated grounding and is available UL and cUL Listed as a communications circuit accessory. Universal Rack supports 19", 23" or 35" wide rack-mount equipment and shelves and is available in several heights. Equipment attaches to the front or rear of the 3"D (76 mm) vertical mounting channels with screws. Equipment mounting positions are marked and numbered making it easy to position and install equipment or shelves.

Racks deliver unassembled in a compact carton. Universal Rack is easy to assemble. Components bolt together with included hardware. Assembly holes in the rack uprights are threaded. Assembly takes approximately 10 minutes. Two-post racks must be secured to building structure. Universal Rack has pre-punched base angles making it easy to attach the rack to the floor. Use a CPI installation kit for wood, slab or raised floors.

Most Universal Rack applications require cable management. Vertical cable managers attach directly to the side of Universal Rack. CPI cable managers organize cables by-rack-mount-space simplifying future moves, adds and changes to the network. The best solution includes horizontal managers in between patch panels and network switches to fan patch cords into individual port connections. See reverse for product selection.

DIMENSIONS



Dimension	19" EIA Rack in (mm)	23" EIA Rack in (mm)
A	17.75 (450.9)	21.75 (552.5)
B	18.31 (465.1)	22.31 (566.7)
C	16 (410.0)	20 (510.0)
D	20.31 (515.9)	24.31 (617.5)

Shipping Weights - lb (kg)	
6' (1.8 m) Rack	37 (16.8)
7' (2.1 m) Rack	39 (17.7)
8' (2.4 m) Rack	41 (18.6)

For product CSI Specs visit the Support & Downloads page on chatsworth.com.