

High quality, cost-effective storage solution for patch panels and network switches. The small footprint makes Standard Rack the best choice in many telecommunications and equipment rooms, especially where floor space is limited.

KEY FEATURES

- Supports 19" EIA rack-mount equipment designed for two-post panel mounting, like patch panels and network switches.
- Easy positioning of equipment with marked and numbered U.
- Quick attachment of equipment with threaded equipment mounting holes and included equipment-mounting screws.
- Delivers unassembled in a single carton—quick and easy bolt-together assembly takes less than 10 minutes.
- Lightweight aluminum construction for easy transport and positioning during installation.
- Integrated grounding with a built-in attachment point for a ground (earthing) connection.
- Quickly attach any CPI vertical cable manager to the side of the rack through pre-punched web channel holes.
- Floor-mount holes on the base angles make it easy to secure the rack to the floor with a concrete, wood or raised floor installation kit.



Standard Rack

ADVANTAGES

- ➔ **Easy Equipment Installation**
Marked and numbered rack-mount spaces (U)
- ➔ **Prepared Grounding Location**
Built-in attachment point for a ground (earthing) connection


California
OSHPD
OPM-0112-13



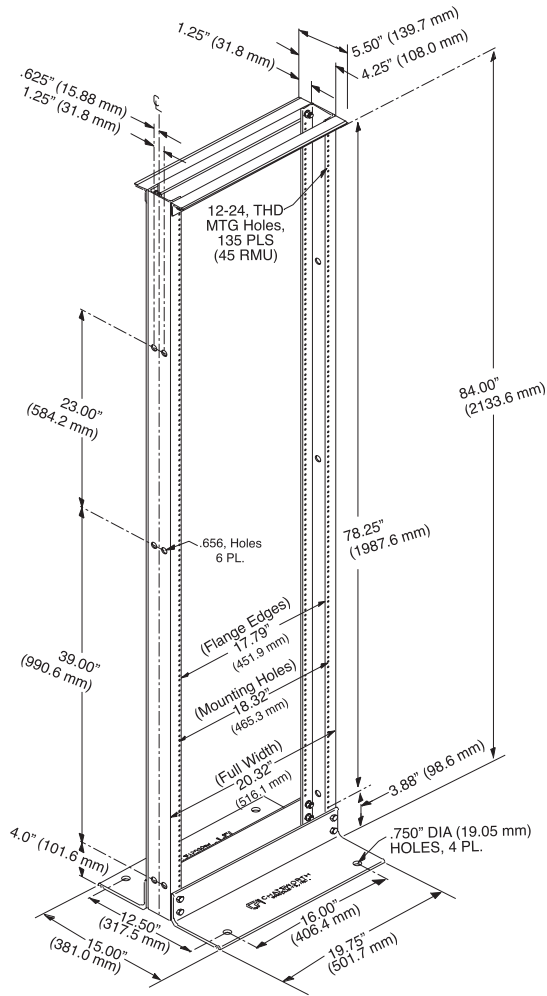
SPECIFICATIONS

Available Sizes	Heights: 84" (2.1 m), 96" (2.4 m), 108", (2.7 m)
	Width: 20.3" (516.1 mm)
	Depth: 15" (381 mm)
Equipment Space	Heights: 45U, 51U, 58U
	Width: 19" EIA (17-3/4" clearance)
	Depth: 20" (508 mm) <i>Note: Double-sided shelves for 26"D (660.4 mm) equipment are available. Use QuadraRack™ 4-Post Frame when rack-mount equipment exceeds 20"D (508 mm).</i>
Equipment Support	1 pair C-shaped equipment mounting channels fixed in place 19"W, EIA-310-D compliant
	Universal hole pattern, 5/8"-5/8"-1/2" (15.9 mm x 15.9 mm x 12.7 mm) vertical hole spacing Threaded #12-24 equipment mounting holes; includes 50 each #12-24 equipment mounting screws
Load Capacity	1000 lb (453.6 kg) of equipment
Grounding/Bonding	Top angles, base angles and side channels are electrically bonded by assembly hardware
	A masked mounting location for a ground lug with two 1/4-20 threaded studs spaced 5/8" apart is provided inside the side channel, near the top and bottom of the rack Use Grounding Jumper (PN 40159-008) as a rack bonding conductor
Certifications	EIA-310-D compliant; UL and cUL Listed as a communications circuit accessory OSHPD Preapproval of Manufacturer's Certification (OPM-0261-13)
Material	Aluminum extrusion
Construction	Bolted assembly
	Ships unassembled
Finish	Clear grained aluminum or Epoxy-polyester hybrid powder coat paint
	Available in Black, Gray, Computer Beige or Glacier White
Environment	For indoor use only, in environmentally controlled areas; may not be used outdoors, in industrial or harsh environments or in plenum spaces.

Availability: Global

<p>US & Canada +1-800-834-4969 Toronto, Ontario, Canada +905-850-7770 chatsworth.com techsupport@chatsworth.com</p>	<p>Latin America +52-55-5203-7525 Toll Free within Mexico 01-800-01-7592 chatsworth.com.co</p>	<p>Europe +44-1628-524-834 chatsworthproducts.co.uk</p>	<p>Middle East & Africa Dubai, UAE +971-4-2602125 chatsworth.ae</p>	<p>Asia Pacific +86 21 6880-0266 chatsworth.com.cn</p>	
--	---	--	--	---	---

DIMENSIONS



7' (2.1 m) Rack Shown

USE WITH

- Velocity® Cable Management
- Rack and Frame Installation Kit
- Raised Floor Rack Support For 3" (80 mm) Channel

RELATED PRODUCTS

- 3" (80 mm) Channel Rack-To-Runway Mounting Plate
- Vertical PDUs for Racks
- Rack Shelves

For product CSI Specs, visit the Support & Downloads page on www.chatsworth.com.

Application

The Standard Rack is a high-quality, cost-effective storage solution for patch panels and network switches that use less floor space than a cabinet or a four-post rack. The small 20.3"W x 15"D (516.1 mm x 381 mm) footprint makes Standard Rack the best choice in many telecommunications and equipment rooms, especially where floor space is limited.

Specifications

The Standard Rack meets project specifications, will hold 1,000 lb (453.1 kg) of equipment, has integrated grounding and is UL Listed as a communications circuit accessory. Support 19" W EIA rack-mount equipment or shelves with the Standard Rack, which is available in three heights. Equipment attaches to the front or rear of the 3" D (80 mm) vertical mounting channels with screws. Mounting positions are marked and numbered, making it easy to position and install equipment or shelves.

Assembly

Racks deliver unassembled in a compact carton and are easy to assemble. Components bolt together with included hardware; assembly takes approximately 10 minutes. Two-post racks must be secured to building structure. The Standard Rack has pre-punched base angles, making it easy to attach the rack to the floor using a CPI installation kit for wood, slab or raised floors.

Cable Management

Because most Standard Rack applications require cable management, CPI's vertical cable managers attach directly to the side of the Standard Rack. Vertical cable managers organize cables by U simplifying future moves, adds and changes to the network. The best solution includes horizontal managers in-between patch panels and network switches to fan patch cords into individual port connections.

Contact CPI Technical Support for configuration assistance.

ORDERING INFORMATION

Part Number	Description	Shipping Weight lb (kg)
55053-X03	7'H (2.1 m) x 19"W, 45U	31 (14.1)
55053-X15	8'H (2.4 m) x 19"W, 52U	37 (16.8)
55053-X08	9'H (2.7 m) x 19"W, 58U	40 (18.1)

X=Color: 1=Gray, 2=Computer Beige, 5=Clear, 7=Black, E=Glacier White



Scan or click here to visit our CPI Online Catalog.