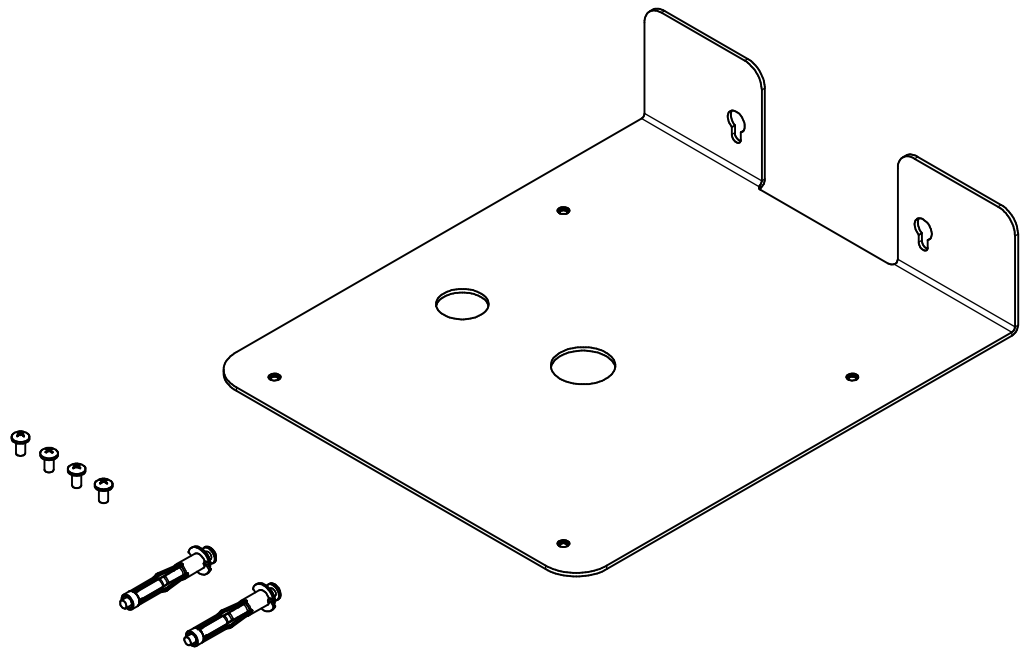


REVISION HISTORY				
ZONE	REV	DESCRIPTION	DATE	APPROVED
All	1	Released	7/22/2020	CAH
All	2	Updated Views, Notes, and "Includes" List	5/5/2021	CAH



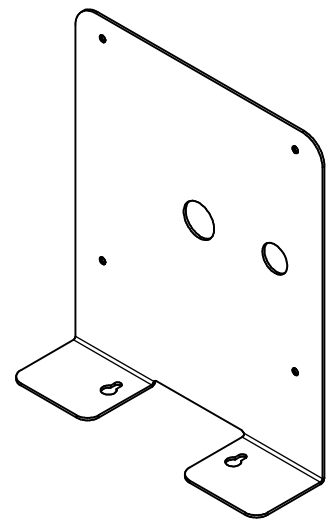
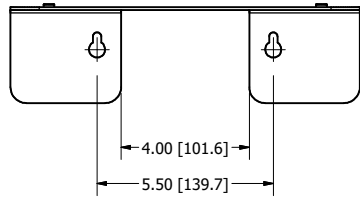
NOTE:

- Weight: 2 lbs
 - Material: 11 Ga. White Powder Coated Aluminum
- Right-Angle Bracket**

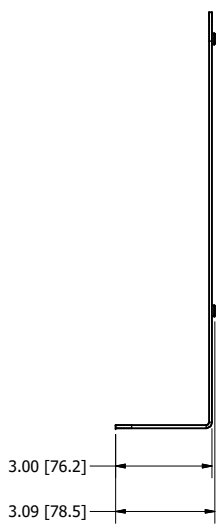
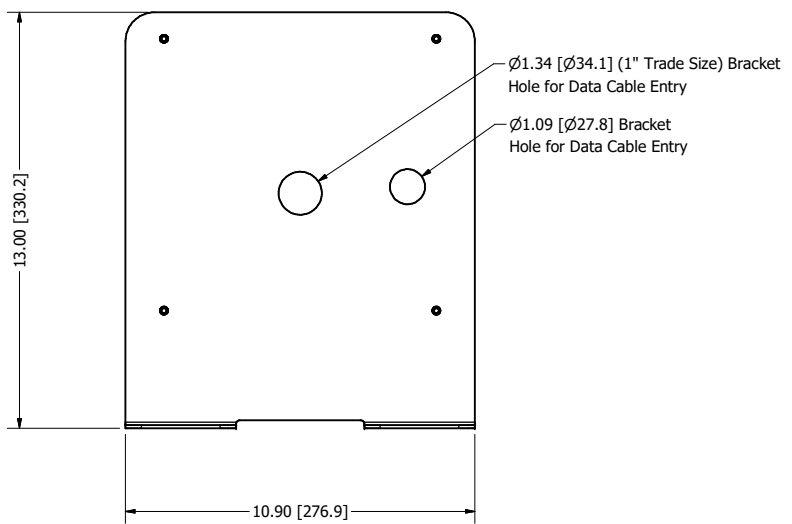
Includes:

- (1) Right-Angle Bracket
- (4) #10 x 3/8 in. Pan Head Screws
- (2) Hollow Tip Wall Anchors

DRAWN CAH	5/5/2021	Oberon, Inc. - 1315 S. Allen St. - State College, PA 16801		
CHECKED CAH	5/5/2021	TITLE		
QA		Model 39-1015-RAB		
MFG CAH	5/5/2021	SIZE C	DWG NO 39-1015-RAB	REV 2
APPROVED CAH	5/5/2021	SCALE	SHEET 1 OF 2	
TOLERANCE:	.0 = +/- .030 .00 = +/- .015 .000 = +/- .005			



ISOMETRIC VIEW



DRAWN CAH	5/5/2021	Oberon, Inc. - 1315 S. Allen St. - State College, PA 16801		
CHECKED CAH	5/5/2021	TITLE		
QA		Model 39-1015-RAB		
MFG CAH	5/5/2021	SIZE C	DWG NO 39-1015-RAB	REV 2
APPROVED CAH	5/5/2021	SCALE	SHEET 2 OF 2	
TOLERANCE:	.0 = +/- .030 .00 = +/- .015 .000 = +/- .005			