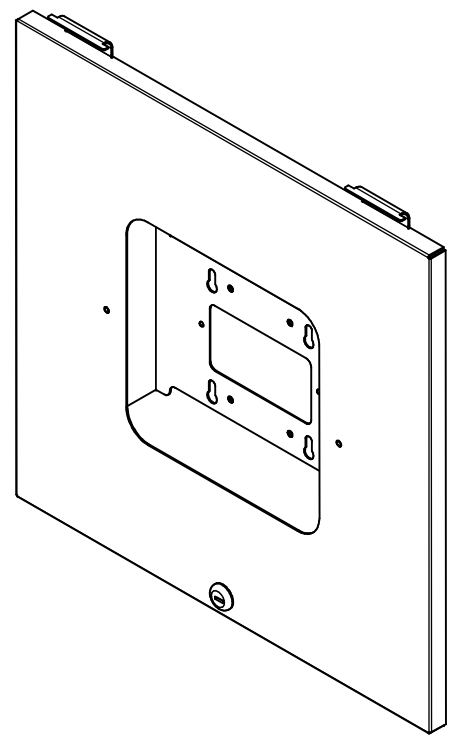
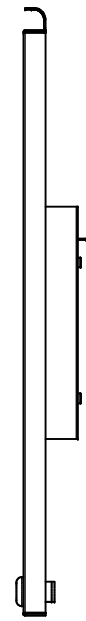
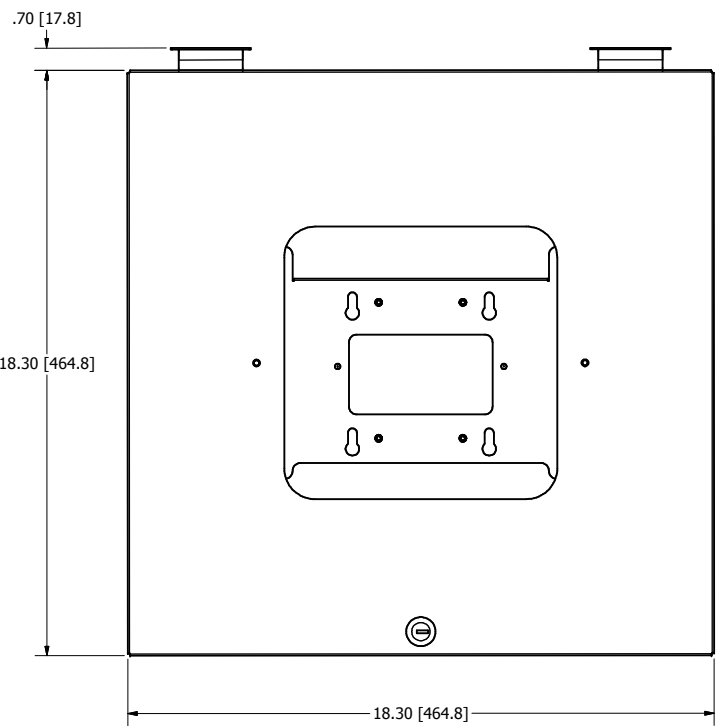
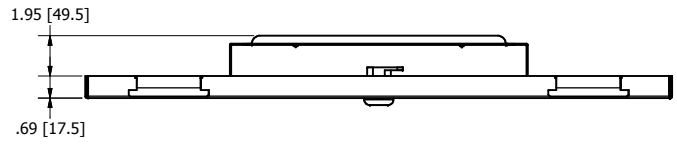


| REVISION HISTORY | | | | |
|------------------|-----|-------------|----------|----------|
| ZONE | REV | DESCRIPTION | DATE | APPROVED |
| All | 1 | Released | 3/8/2018 | RLC |



NOTES:
 -Weight: 4 lbs.
 -Material: 18 Gauge Steel Door White Powder Coat
 20 Gauge Galvanized Steel Mounting Plate
Includes:
 -Installation Hardware Specific to Access Point

NOTE: All materials used in the construction of Oberon products must be RoHS compliant and meet RoHS2 Directive 2011/65/EU. Contact Oberon engineering if RoHS compliant materials are not available.

| | | | | |
|-----------------|--|--|----------------|----------|
| DRAWN RLC | 3/8/2018 | Oberon, Inc. - 1315 S. Allen St. - State College, PA 16801 | | |
| CHECKED RLC | | TITLE | | |
| QA | | Model 38-47-CCOAP3800 | | |
| MFG RLC | | SIZE C | DWG NO 2836 | REV 1 |
| APPROVED RLC | | SCALE | SHEET 1 OF 1 | |
| TOLERANCE: | .0 = +/- .030 .00 = +/- .015 .000 = +/- .005 | | | |