



CHATSWORTH
PRODUCTS

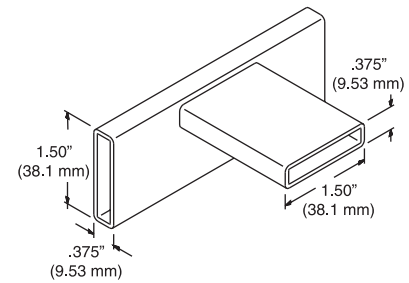
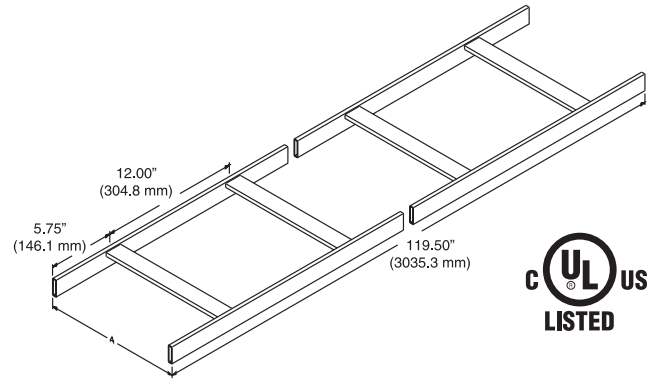
Universal Cable Runway

Universal Cable Runway

Our most popular cable runway is designed for value conscious customers. The Universal Cable Runway offers the industry standard features you've come to expect. With the runway supported every 5' (1.5 m), maximum load with minimal deflection is 132 lb/ft (59.9 kg).

- Made of 3/8" x 1-1/2" x .065" (9.53 mm x 38 mm x 1.65 mm) wall rectangular steel tubing
- Cross members welded at 12" (300 mm) intervals
- Individually boxed to prevent scratches and damage
- Standard length is 9'-11 1/2"/119.5" (3035 mm)
- Installation Best Practices includes Runway Elevation Kit
- cULus Classified for suitability as an equipment grounding conductor (must remove paint from the side stringers or us grounding strap)
- 11301 Butt-Splice Kit Installation Instructions chatsworth.com

NOTE: CPI 10250, 11252, 11275 and 14300 cable runway systems are listed under UL E138966 and tested to the requirements in the Standard for Safety for Metal Cable Tray Systems, NEMA VE 1-2017 and ANSI/NFPA 70.



ORDERING INFORMATION

Part Number	Width (Dim. A) in (mm)	Shipping Weight lb (kg)
10250-X04	4 (100) Runway	18 (8.2)
10250-X06	6 (150) Runway	19 (8.6)
10250-X09	9 (230) Runway	20 (9.1)
10250-X12	12 (300) Runway	25 (11.3)
10250-X15	15 (380) Runway	27 (12.2)
10250-X18	18 (460) Runway	29 (13.2)
10250-X24	24 (610) Runway	32 (14.5)
10250-X31	30 (760) Runway	35 (15.7)
10250-X37	36 (910) Runway	38 (17.2)

X=color; 1=Gray, 7=Black, E=Glacier White.

United States & Canada
Simi Valley, CA
800-834-4969
Toronto, Ontario, Canada
+905-850-7770
chatsworth.com
techsupport@chatsworth.com

Latin America
Mexico City, Mexico
+52-55-5203-7525
Toll Free within Mexico
800-201-7592
chatsworth.com.co

Europe
Buckinghamshire
England, UK
+44-1628-524-834

Middle East & Africa
Dubai, UAE
+971-4-2602125

Asia Pacific
Jing'an District,
Shanghai, China
+86 21 6880-0266
chatsworth.com.cn