



CHATSWORTH
PRODUCTS

CUBE-iT® Wall-Mount Cabinet

CUBE-iT® Wall-Mount Cabinet provides a secure, easy-to-install, swing-out storage solution for information and communications technology (ICT) equipment. Attractive design, security features and range of optional fan kits make it ideal for public areas or equipment rooms with limited floor space.



Modern, Sleek Design

- Attractive design with multiple door styles and colors
- Low-decibel, dual-fan kit option provides quiet operation while keeping active equipment cool

Easy Access to Equipment

- Three-part, swing-out design enables easy access to the front and rear of installed equipment

Increased Security

- A single lock and key on the front door provides access to the cabinet; the rear section is only accessible via an internal latch inside the front door

KEY FEATURES

- Three-part, swing-out design provides access and service to both the front and rear of the equipment
- A single lock and key (CH751) on the front door provides access to the entire cabinet
- Rear panel includes 1" (25.4 mm) and 3" (76 mm) knockouts, and can accept 3/4" (19 mm) and 2.5" (63.5 mm) conduit. The 3" (76 mm) knockouts include edge-protection grommets
- The rear panel is designed to accommodate cable tie attachments, accessory rack-mounting brackets, and the Uninterruptible Power Supply (UPS) mounting bracket
- UL 2416 Listed, 300 lb (136 kg) load rating
- Internal latch mechanism secures the rear panel; slim-profile does not impact cabling space
- Hinge design allows the installer to remove the rear panel for easier installation on the wall
- Cabinet body includes one pair of adjustable depth 19" EIA threaded equipment mounting rails
- Cable pass-through knockout with optional brush seal makes it ideal for retrofit installations
- Optional low-decibel (31dB), dual-fan kit provides quiet operation while cooling equipment
- Factory-prepped bonding feature provides convenience and reduces installation time
- Ships fully assembled



HCAI OPM-0196

SPECIFICATIONS

Description	Wall-mount enclosure with lockable front door and swing-out rear access to equipment
Use	For indoor use only, in environmentally controlled areas; may not be used outdoors, in harsh environments, or in air-handling spaces
Available Sizes	<ul style="list-style-type: none"> • Heights: 24" (610 mm), 36" (910 mm) and 48" (1220 mm) • Widths: 24" (610 mm); 19" EIA rack-mount • Depths: 18" (460 mm), 24" (610 mm), 30" (760 mm)
Usable Interior Space	<ul style="list-style-type: none"> • Heights: 12U, 19U, 26U • Widths: 19" EIA rack-mount • Depths: refer to dimensional drawings on page 2
Cable Access	<ul style="list-style-type: none"> • (8) 1" (25.4 mm) and 3" (76 mm) knockouts, 4 top/4 bottom. Knockouts can accept 3/4" (19 mm) or 2.5" (63.5 mm) conduit • (4) Edge-protection grommets are included for the 3" (76 mm) knockouts • Removable top/bottom panel on rear panel • *Can't remove while under load; must remove center chassis • (1) Rectangular knockout, 9"W x 2.2"D (230 mm x 55 mm)
Equipment Support	<ul style="list-style-type: none"> • (1) Pair L-shaped equipment mounting rails in the main cabinet body • 19"W, EIA-310-D compliant • Universal hole pattern, 5/8"-5/8"-1/2" vertical hole spacing • Threaded #12-24 equipment mounting holes • Punched holes in 5"D (130 mm) rear panel to accept accessory equipment mounting brackets, see dimensional drawings on page 2 • Includes 50 #12-24 equipment mounting screws

Availability: US, Canada, Latin America, Europe, Middle East & Africa

United States & Canada
Simi Valley, CA
800-834-4969
Toronto, Ontario, Canada
+905-850-7770
chatsworth.com
techsupport@chatsworth.com

Latin America
Mexico City, Mexico
+52-55-5203-7525
Toll Free within Mexico
800-201-7592
chatsworth.com.co

Europe
Buckinghamshire
England, UK
+44-1628-524-834

Middle East & Africa
Dubai, UAE
+971-4-2602125
Doha, Qatar
+974-4-267422

Asia Pacific
Jing'an District,
Shanghai, China
+86 21 6880-0266
chatsworth.com.cn

SPECIFICATIONS

Load Capacity	300 lbs (136 kg) of equipment, open or closed
Certifications	<ul style="list-style-type: none"> • UL 2416 • cUL CSA C22.2 • UL 508A: Type 1 • NEMA Type 1 • IEC 60529 IP20 • OSHPD Preapproval of Manufacturer's Certification (OPM-0196)
Material	<ul style="list-style-type: none"> • Steel sheet cabinet body, rear panel and door • Door is extruded metal frame with solid metal or tinted tempered glass panel • Equipment mounting rails are aluminum
Construction	Riveted and bolted
Finish	Powder coat paint Black or Glacier White

Space-Saving Design and Easy Access to Equipment

CUBE-iT Wall-Mount Cabinets feature highly functional elements to provide class-leading support and storage of ICT equipment. CUBE-iT Cabinets allow easy access to the front and rear of the cabinet, making it ideal for telecommunications rooms. Additionally, high airflow vent pattern and optional low-decibel, dual-fan kit provides equipment cooling without interfering noise. The new modern, sleek design with range of options make the cabinet ideal for use in office spaces, conference rooms, classrooms, or any public spaces where floor space is limited.

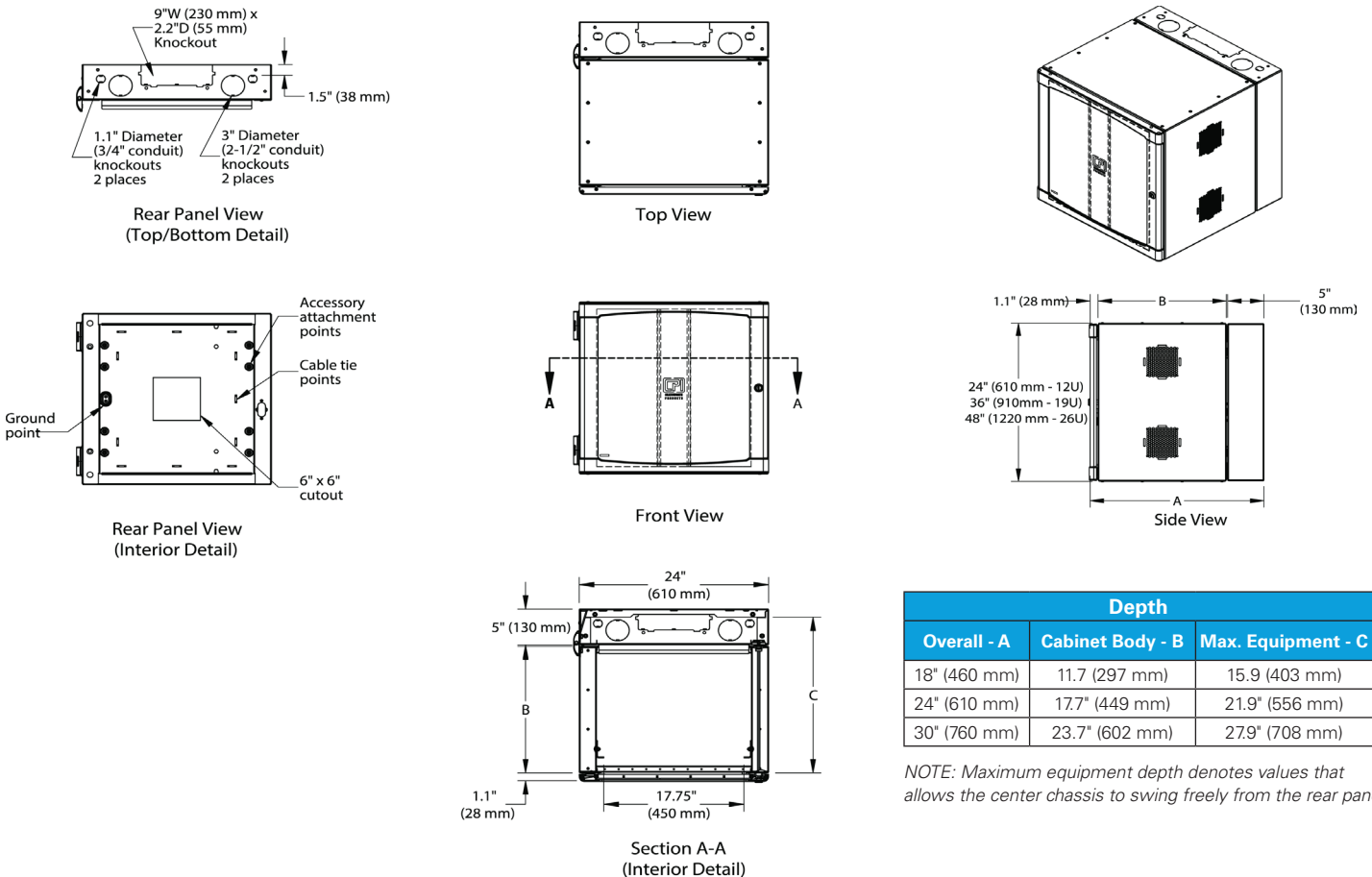
The swing-out, three-part design secures equipment while maintaining ease of access for serviceability. CUBE-iT Wall-Mount Cabinet is accessed by a keyed lock on the front door. Once unlocked, an internal latch is accessible just inside the front door on the main chassis. Simply turn the lever to release the main chassis from the wall to gain access to the rear of equipment. Additionally, the cabinet is configurable for right or left swing.

The cabinet body delivers exceptional strength and rigidity. The UL 2416 Listed 300 lb (136 kg) load-rating provides tested support for heavier equipment. For an updated look with a robust, high-quality viewing panel, the front door has an optional tempered glass window. Use CUBE-iT Wall-Mount Cabinet to meet growing demands, Power over Ethernet (PoE) deployments, faster wireless and premise networks, audio and video equipment, security and monitoring equipment and smart building initiatives.

The removable top and bottom rear panels feature a rectangular cable pass-through knockout with optional brush seals, providing a larger opening for cables that can accept patch panels, making CUBE-iT a great solution for retrofit and existing infrastructure, or for use with factory-terminated structured cabling.

CUBE-iT Wall-Mount Cabinet is available in three heights and three depths to support 12U, 19U or 26U of equipment.

DIMENSIONS:



ORDERING INFORMATION:

CUBE-iT Wall-Mount Cabinets

- Attaches to the wall with included installation hardware
- Available in 12U, 19U and 26U heights, with solid metal or tempered glass door options
- All cabinet styles are 24"W (610 mm)
- Includes CH751 keyed lock

Part Number	Cabinet Depth	Door Style	Shipping Weight lb (kg)
24"H (610 mm) CUBE-iT Cabinet			
11890-X24	18" (460 mm)	Solid	90 (40.9)
11901-X24	18" (460 mm)	Tempered Glass	90 (40.9)
11840-X24	24" (610 mm)	Solid	101 (45.9)
11900-X24	24" (610 mm)	Tempered Glass	101 (45.9)
11996-X24	30" (760 mm)	Solid	112 (50.9)
12419-X24	30" (760 mm)	Tempered Glass	112 (50.9)
36"H (910 mm) CUBE-iT Cabinet			
11890-X36	18" (460 mm)	Solid	114 (51.8)
11901-X36	18" (460 mm)	Tempered Glass	114 (51.8)
11840-X36	24" (610 mm)	Solid	128 (58.2)
11900-X36	24" (610 mm)	Tempered Glass	128 (58.2)
11996-X36	30" (760 mm)	Solid	142 (64.5)
12419-X36	30" (760 mm)	Tempered Glass	142 (64.5)
48"H (1220 mm) CUBE-iT Cabinet			
11890-X48	18" (460 mm)	Solid	139 (63.2)
11901-X48	18" (460 mm)	Tempered Glass	139 (63.2)
11840-X48	24" (610 mm)	Solid	155 (70.5)
11900-X48	24" (610 mm)	Tempered Glass	155 (70.5)
11996-X48	30" (760 mm)	Solid	171 (77.7)
12419-X48	30" (760 mm)	Tempered Glass	171 (77.7)

Note: X=Color; 7=Black and E=Glacier White



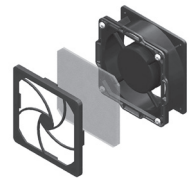
P/N 11900-X24 shown



ACCESSORIES:

Standard Fan and Filter Kit for CUBE-iT Wall-Mount Cabinet

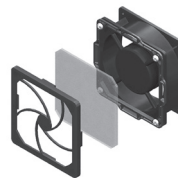
- Pressurizes interior of the cabinet, forcing warm air out of open vents
- Assembly Includes 1 fan, 1 filter, and 1 vent cover
- Noise Level: 39 dB (measured at 3' (1 m) distance)
- Airflow: 115 CFM (170 CMH)
- 6'L (1.8 m) NEMA 5-15P/6-15P Power Cord



Part Number	Description	Shipping Weight lb (kg)
40972-001	115 Volt, 50/60 Hz, 5-15P power cord	2 (0.8)
40972-002	230 Volt, 50/60 Hz, 6-15P Power cord	2 (0.8)
40973-001	Replacement Filter Kit, Pack of 5	2 (0.8)

Low-Decibel Dual-Fan and Filter Kit for CUBE-iT Wall-Mount Cabinet

- Pressurizes interior of the cabinet, forcing warm air out of open vents
- Assembly Includes 2 fans and 2 filters
- Noise Level: 31 dB (measured at 3' (1 m) distance)
- Recommended placement on bottom right and left sides of the cabinet
- Airflow: 120 CFM (204 CMH)
- 6'L (1.8 m) NEMA 5-15P/6-15P Power Cord



Part Number	Description	Shipping Weight lb (kg)
40975-001	115 Volt, 50/60 Hz, 5-15P power cord	4 (1.8)
40975-002	230 Volt, 50/60 Hz, 6-15P Power cord	4 (1.8)
40973-001	Replacement Filter Kit, Pack of 5	2 (0.8)

Vertical Cabling Section for CUBE-iT Wall-Mount Cabinet

- Attaches to the outside edge of equipment mounting rails
- 4U height; openings align with rack-mount unit spaces on equipment mounting rails
- Sold in pairs
- Order additional kits as-needed per cable management requirements



Part Number	Description	Shipping Weight lb (kg)
40970-704	4U, 7"H x 0.5"D (178 mm x 13 mm)	3 (1.4)
40970-707	7U, 12.3"H x 0.5"D (311 mm x 13 mm)	3 (1.4)
40970-711	11U, 19.3"H x 0.5"D (489 mm x 13 mm)	4 (1.8)

Color is black.

Vertical Lashing Bracket for CUBE-iT Wall-Mount Cabinet

- Provides multiple lashing points for premise cables
- Attaches to center chassis with included hardware
- Adjustable front-to-rear



Part Number	Description	Shipping Weight lb (kg)
40971-X24	24" H x 4" W (610 mm x 100 mm)	4 (1.8)
40971-X36	36" H x 4" W (910 mm x 100 mm)	6 (2.7)
40971-X48	48" H x 4" W (1220 mm x 100 mm)	8 (3.6)

Note: X=Color; 7=Black and E=Glacier White

ORDERING INFORMATION:

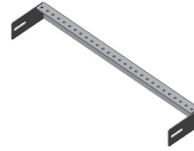
ACCESSORIES:



Cable Port Brush Kit for CUBE-iT Wall-Mount Cabinet

- Optional cover when rectangular knockout on the rear panel is removed
- Seals opening around cables with brush seal
- Sold in pairs

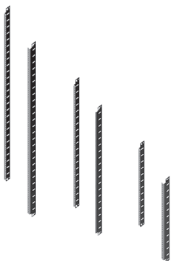
Part Number	Description	Shipping Weight lb (kg)
25190-000	0.8"H x 10.6"W x 2.9"D (20 mm x 268 mm x 74 mm)	2 (0.9)



Horizontal Wire Management Bar for CUBE-iT Wall-Mount Cabinet

- Attaches to the rear of the equipment mounting rails
- Secures premise cables after termination on patch panels
- Includes mounting hardware and 12 cable ties

Part Number	Description	Shipping Weight lb (kg)
11837-701	1.5"H x 19.3"W x 3.7"D (38 mm x 490 mm x 94 mm)	4 (1.8)
11837-702	1.5"H x 20.2"W x 3.7"D (38 mm x 513 mm x 94 mm)	4 (1.8)

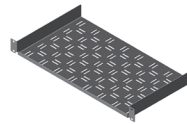


Equipment Mounting Rail Kit for CUBE-iT Wall-Mount Cabinet

- Use with equipment that needs front and rear support
- Sold in pairs
- Aluminum material

Part Number	Description	Shipping Weight lb (kg)
12787-524	12U; For 24"H (610 mm) cabinet	4 (1.8)
12787-536	19U; For 36"H (910 mm) cabinet	6 (2.7)
12787-548	26U; For 48"H (1220 mm) cabinet	8 (3.6)

Note: CUBE-iT Wall-Mount includes one pair of Equipment Mounting Rails

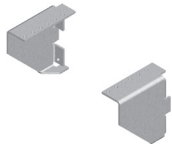


Rack-Mount Shelf

- For use with small equipment such as modems, routers and fiber modules in 19" EIA racks
- 1U; Includes multiples tie-down points
- Supports up to 20 lb (9.1 kg) of equipment

Part Number	Description	Shipping Weight lb (kg)
40974-X19	Rack-Mount Shelf, 1U x 19"W x 10"D (483 mm x 250 mm)	4 (1.8)

Note: X=Color; 7=Black and E=Glacier White



90° Mounting Bracket for CUBE-iT Cabinets

- Attaches to rear panel on CUBE-iT Cabinets
- Creates a 19" EIA x 2U vertical rack-mount space
- 2 brackets per kit, 3.9"H x 1"W x 4"D (99 mm x 25.4 mm x 101.6)

Part Number	Description	Shipping Weight lb (kg)
13285-501	2U, 1 pair, Clear finish	3 (1.4)



Ground Jumpers

- Provide common bonding from equipment rack or cabinet to halo conductor
- Available individually or in packages of 10
- Constructed of UL Listed components

Part Number	Description	Shipping Weight lb (kg)
40159-009	9' (2.7 m) Ground Jumper, 1 Each	2 (0.9)
40159-019	9' (2.7 m) Ground Jumper, 10 Each	20 (1.9)



LED Light Kit for CUBE-iT Cabinets

- Attaches to the bottom, top or side of CUBE-iT Cabinets
- Toggle switch, 5W LED light
- Detachable, 120 VAC with NEMA 1-15P Power Cord

Part Number	Description	Shipping Weight lb (kg)
12803-701	LED Light Kit, 5W, 120 Vac	2 (0.9)



Foot Kit for CUBE-iT Wall-Mount Cabinet

- For use on desktops or floor when not installed on a wall
- Pack of 4

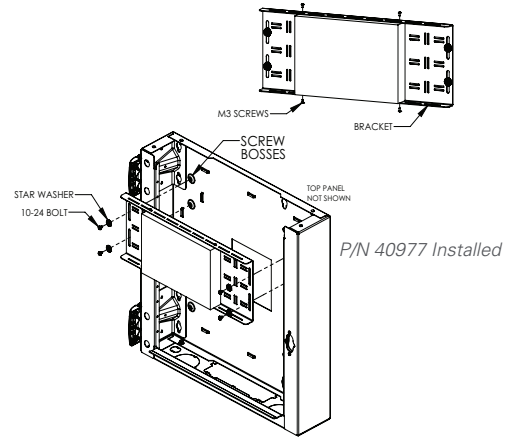
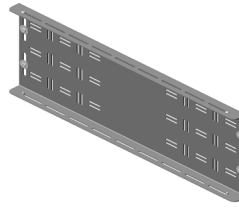
Part Number	Description	Shipping Weight lb (kg)
13483-001	Foot Kit	2 (0.9)

ORDERING INFORMATION:

ACCESSORIES:

UPS Bracket for CUBE-iT Wall-Mount Cabinet

- Provides mounting location for UPS
- Compatible with UPS part numbers LS350A & LS600A
- Attaches to the rear of chassis with included hardware



Part Number		Description	Shipping Weight lb (kg)
Black	Glacier White		
40977-701	40977-E01	UPS Bracket, CUBE-iT, for LS350A	1 (0.45)
40977-702	40977-E02	UPS Bracket, CUBE-iT, for LS600A	1 (0.45)

Lithium Ion Standby UPS, 350VA–600VA

Lithium Ion Standby UPS							
Part Number	Capacity VA	Capacity W	Input Plug*	Output Receptacles	Runtime 100% load	Runtime 50% load	External Battery Option
120 Volt							
LS350A	350	200	C14 Inlet to 5-15P	(3) 5-15R	6	14	No
LS600A	600	360	C14 Inlet to 5-15P	(3) 5-15R	6	14	No
200-240 Volt							
LS350B	350	200	C14 Inlet (no cord)	(2) C13	6	14	No
LS600B	600	360	C14 Inlet (no cord)	(2) C13	6	14	No

*On 120 Volt models, included line cord is 3' (0.9 m) long. On 200-240 Volt models, order a line cord separately. C13 to required plug.



Battery Runtimes:

Estimated Runtimes On Internal Batteries (mins)										
System Load (W)	20	40	80	120	160	200	240	280	320	360
LS350x	72	35	17	11	9	7	N/A	N/A	N/A	N/A
LS600x	161	79	35	23	17	14	11	9	8	6

Note: Runtimes are shown in minutes and will vary based on battery condition, age, cycles and ambient temperature

eConnect Horizontal PDUs (North America) for CUBE-iT Wall-Mount Cabinet

Part Number			Input Amperage	Input Plug	Outlets	kW Capacity (UL)	Form Factor (U) Height
Black	Glacier White	Functionality					
120 Volt, Input/Output							
E0-1243-C	E0-1243-E	Basic	20A*	C20 Inlet to L5-20	(12) 5-20	1.9 kW	1U
EA-3243-C	EA-3243-E	Monitored	20A*	C20 Inlet to L5-20	(12) 5-20	1.9 kW	1U
EA-6274-C	EA-6274-E	Switched Pro	20A*	C20 Inlet to L5-20	(12) 5-20	1.9 kW	1U
100-240Volt, Input/Output							
E0-1250-C	E0-1250-E	Basic	16A	C20 Inlet to IEC 60309 16A (1P+N+E)	(12) C13	3.8kW	1U
EA-3250-C	EA-3250-E	Monitored	16A	C20 Inlet to IEC 60309 16A (1P+N+E)	(12) C13	3.8kW	1U
EA-6281-C	EA-6281-E	Switched Pro	16A	C20 Inlet to IEC 60309 16A (1P+N+E)	(12) C13	3.8kW	1U



eConnect Horizontal PDU 1U, Front & Back



Field-Replaceable Controller Module

chatsworth.com
 techsupport@chatsworth.com
 800-834-4969



While every effort has been made to ensure the accuracy of all information, CPI does not accept liability for any errors or omissions and reserves the right to change information and descriptions of listed services and products.

©2026 Chatsworth Products, Inc. All rights reserved. Chatsworth Products, Click-Nut, CPI, CPI Passive Cooling, CUBE-iT, Secure Array, eConnect, Evolution, GlobalFrame, MegaFrame, QuadraRack, RMR, Saf-T-Grip, SeismicFrame, SlimFrame, TeraFrame, Motive, Velocity, Oberon, Wi-Tile and ZetaFrame are federally registered trademarks of Chatsworth Products. EuroFrame, H-Plane, Hi-Bar, In-Plane, M-Frame, NetPoint, Simply Efficient, Skybar, Elevate, and VersaEdge Wall-Mount Cabinet are trademarks of Chatsworth Products and Oberon, a division of Chatsworth Products. All other trademarks belong to their respective companies. Rev.03/26 MKT-60020-701