

Technical Specs:	
Input Ratings	
Nominal Voltage (VAC)	220-240V/380-415V 3ph
Input Plug / Cord	Terminal Block (4Pole)
Current Rating	80A per phase
Power Rating (kW)	57.5
Output Ratings	
Nominal Voltage (VAC)	220-240V
Current Rating	240A
Outlet Rating	C13 10A max, C19 16A max
Max Current per Breaker	20A Balance; 24A Unbalanced
Outlet Combination	
Load Segment	Refer to Simplified Wire Schematic
PDU Total	(24)C13 (24)C19
Branch Circuit Protection	(12) 30A, 10kAIC, Single Pole
Surge Suppression	None

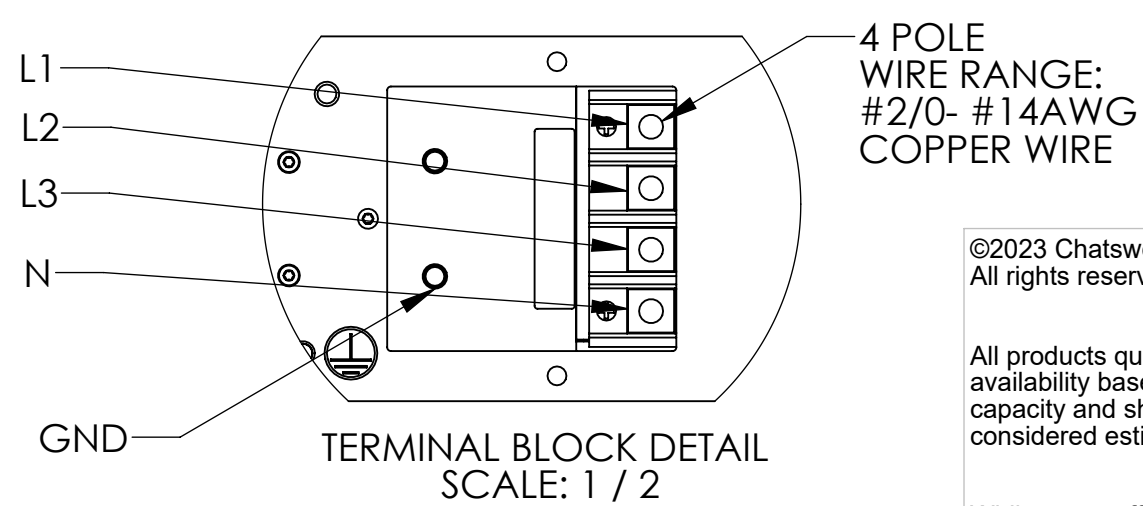
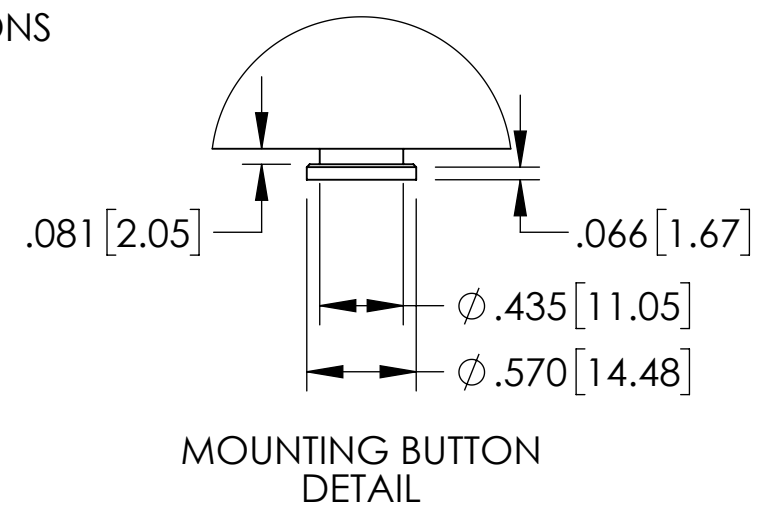
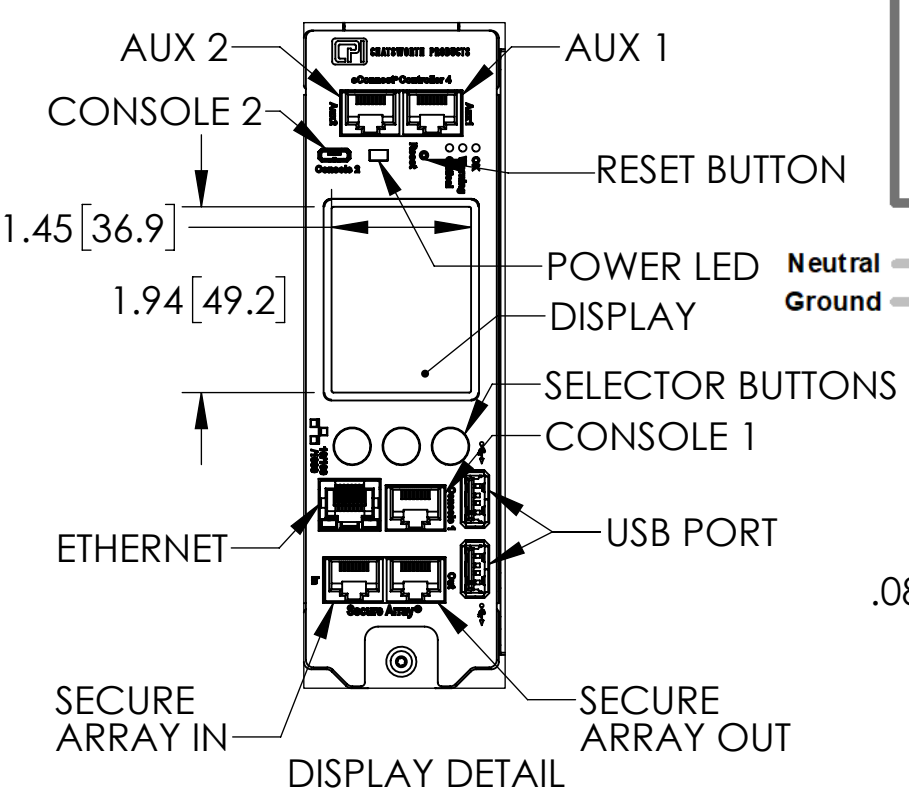
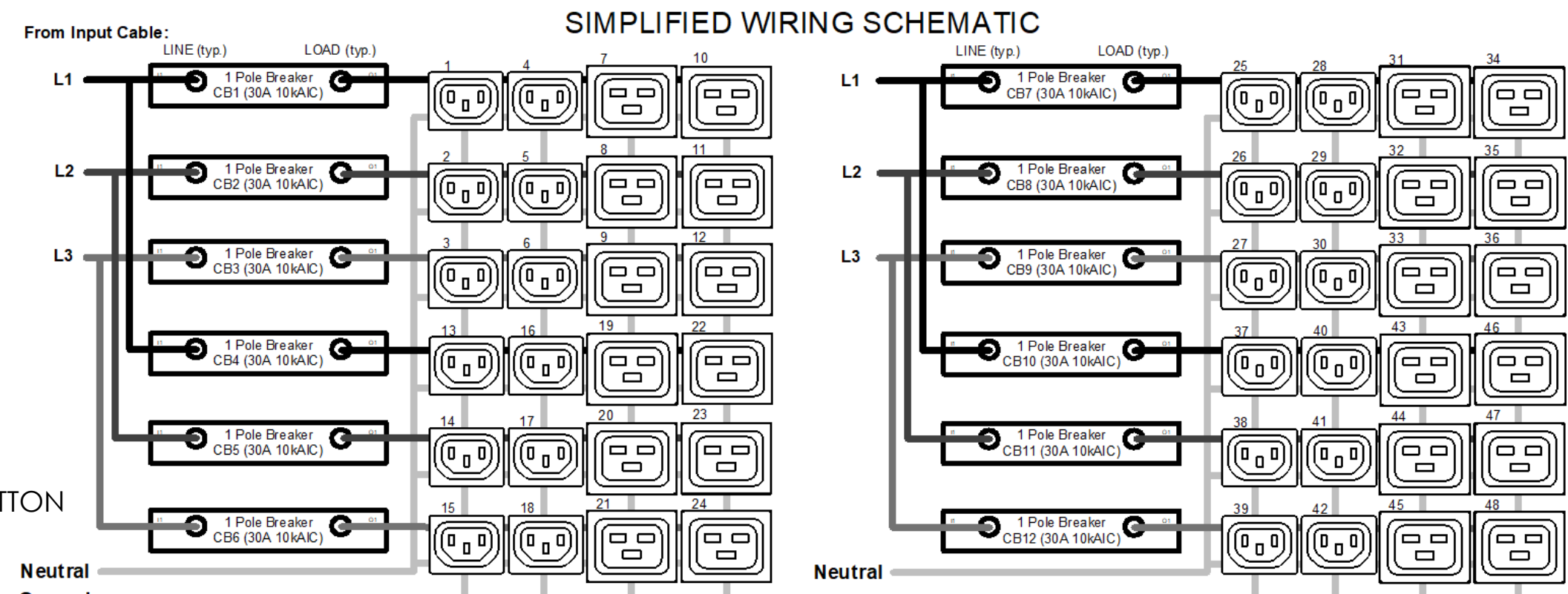
Features:	
Local Display	(1) LCD Display, Branch Monitoring, IP Setup, Alarm Notification, Auto-oriented
Branch Monitoring	Current, Voltage, Power, PF per Circuit
Outlet Monitoring	Current, Voltage, Power, PF per Outlet
Monitoring Accuracy	+/- 1% True RMS
Ethernet Port	10/100/1000 Mbps RJ45
Remote Monitoring	GUI, SNMP v1-3, RS232, RESTful API, CLI, Power IQ
Remote Control	Not Supported
IP Consolidation	Link 32/48 (with/without electronic locks) PDU's per IP address
USB Ports (2)	Update firmware, Opt'l Temp/Humidity Sensor
Controller Module	Field Replaceable
Auxiliary Port (2)	Optional Front & Rear Door Electronic Locks
Cord Retention	Locking Receptacles
Mounting System	Pre-installed Mounting brackets

Dimensions & Weights:	
Width (In[mm])	3.8[96.5]
Height (In[mm])	77.1[1958.5]
Depth (In[mm])	2.9[73.0]
Weight (lbs[kg])	22[10]

Regulatory Compliance:	NEMKO Listed to UL/IEC 62368-1, CE, RoHS, FCC Part 15 Class A, EN 55022
Regulatory Part Number:	Black: K47-CY24B-412-720 White: K47-CY24B-412-E20

Environmental Conditions:	
Operating Temperature	32 - 149°F (0 - 65°C) below 16A/breaker 32 - 112°F (0 - 50°C) 16A-24A/breaker
Operating Rel Humidity	5 - 95%
Operating Elevation	0-10000 ft (0-3000 m)
Storage Temperature	-13 - 149F (-25 - 65C)
Storage Rel Humidity	5 - 95%
Storage Elevation	0-5000ft (0-15000m)

Hardware Included:	(2) tool-less pre-installed mounting buttons (1) ground kit cable
Warranty	3 yrs. Standard, 2 add'l yrs. Opt'l
Optional Accessories:	Temp & Humidity Sensor, Electronic locks



- Notes:
- All Dimension are in inches [millimeters] unless otherwise specified
 - Installation must conform with all related national and local codes
 - All Bracket kits are sold separately. Toolless mounting buttons are included for installation in CPI cabinets.
 - For more information, please contact Tech Support at techsupport@chatsworth.com
 - Color suffix "-X" may denote "-C" for Black, "-E" for Glacier White, "-CE" for Redundancy Pack

©2023 Chatsworth Products, Inc. All rights reserved.

All products quoted are subject to availability based on manufacturing capacity and shipping dates should be considered estimates only.

While every effort has been made to ensure the accuracy of all information, CPI does not accept liability for any errors or omissions and reserves the right to change information and descriptions of listed services and products.



eConnect Vertical PDU, Monitored Pro, Terminal Block, 3P+N+E 220-240/380-415V Three Phase Input, 100A, (24) C13 (24) C19 Outlets, 220-240V Output