

INPUT LOCATION

INPUT PLUG DETAIL  
NEMA L6-20  
20A / 2P3W

Technical Specs:	
<b>Input Ratings</b>	
Nominal Voltage (VAC)	208V 1ph
Input Plug / Cord	NEMA L6-20P
Current Rating	16A
Power Rating (kW)	3.33
<b>Output Ratings</b>	
Nominal Voltage (VAC)	208V
Current Rating	16A
Outlet Rating	C13 10A max, C19 16A max
Max Current per Breaker	N/A Balanced; N/A Unbalanced
<b>Outlet Combination</b>	
Load Segment	Refer to Simplified Wire Schematic
PDU Total	(18)C13 (6)C19
<b>Branch Circuit Protection</b>	
Surge Suppression	(0) No Breaker

Features:	
Branch Monitoring	Current, Voltage, Power, PF per Circuit
Outlet Monitoring	Current, Voltage, Power, PF per Outlet
Monitoring Accuracy	+/- 1% True RMS
Ethernet Port	10/100/1000 Mbps RJ45
Remote Monitoring	GUI, SNMP v1-3, RS232, RESTful API, CLI, Power IQ
Remote Control	ON/OFF/CYCLE outlets remotely
IP Consolidation	Link 32/48 (with/without electronic locks) PDU's per IP address
USB Ports (2)	Update firmware, Opt'l Temp/Humidity Sensor
Controller Module	Field Replaceable
Auxiliary Port (2)	Optional Front & Rear Door Electronic Locks
Cord Retention	Locking Receptacles
Mounting System	Pre-installed Mounting brackets

Dimensions & Weights:	
Width (In[mm])	17[431.8]
Height (In[mm])	3.47[88.74]
Depth (In[mm])	12[304.8]
Weight (lbs[kg])	23[10.4]

<b>Regulatory Compliance:</b>	NEMKO Listed to UL/IEC 62368-1, CE, RoHS, FCC Part 15 Class A, EN 55022
-------------------------------	---

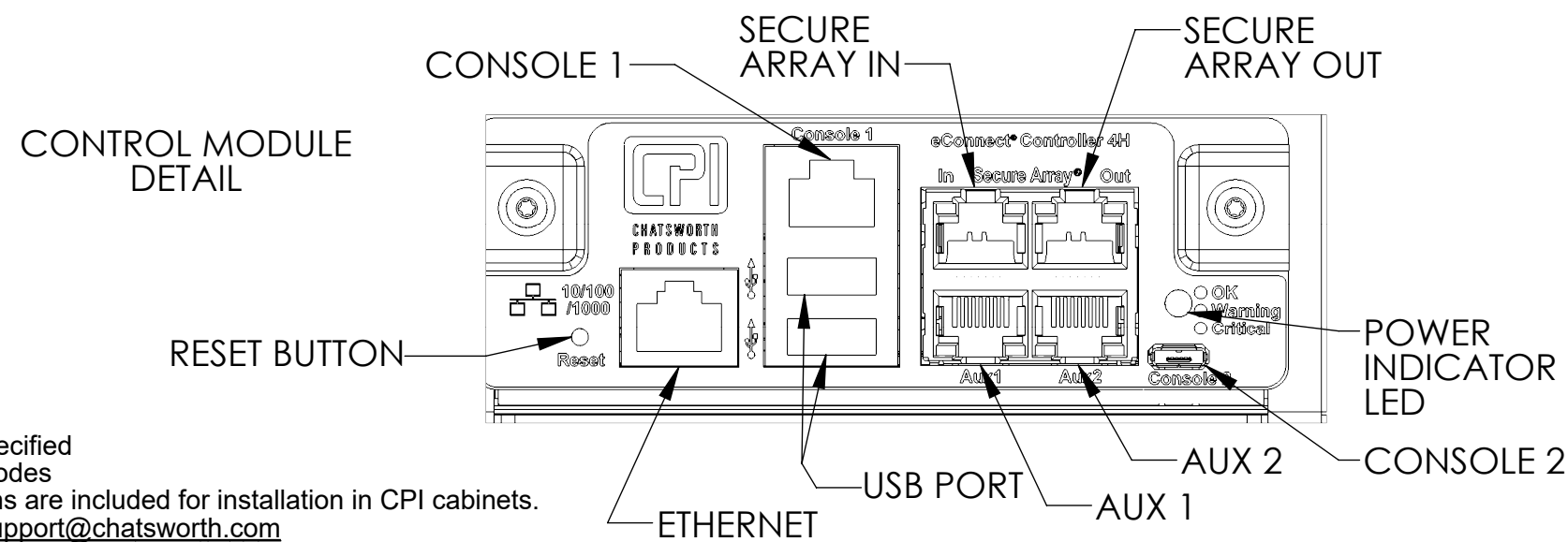
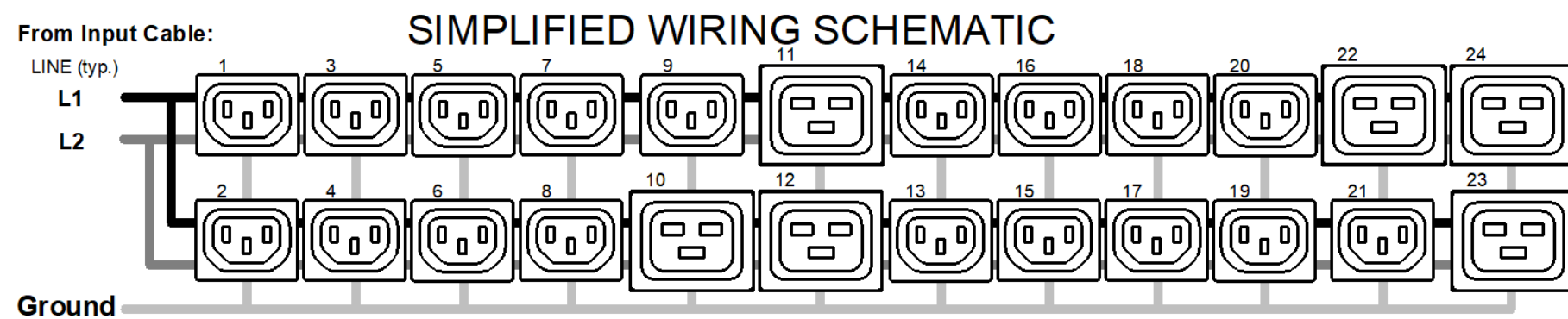
<b>Regulatory Part Number:</b>	K64-0D080-40F-72A
--------------------------------	-------------------

Environmental Conditions:	
Operating Temperature	32 - 149F (0 - 65C) @ Input Pwr Rating (kW)
Operating Rel Humidity	5 - 95%
Operating Elevation	0-10000 ft (0-3000 m)
Storage Temperature	-13 - 149F (-25 - 65C)
Storage Rel Humidity	5 - 95%
Storage Elevation	0-50000ft (0-15000m)

<b>Hardware Included:</b>	(2) Pre-installed mounting brackets (1) gound kit cable
---------------------------	--

<b>Warranty</b>	3 yrs. Standard, 2 add'l yrs. Opt'l
-----------------	-------------------------------------

<b>Optional Accessories:</b>	Temp & Humidity Sensor, Electronic locks
------------------------------	--



- Notes:
- 1 All Dimension are in inches [millimeters] unless otherwise specified
  - 2 Installation must conform with all related national and local codes
  - 3 All Bracket kits are sold separately. Toolless mounting buttons are included for installation in CPI cabinets.
  - 4 For more information, please contact Tech Support at [techsupport@chatsworth.com](mailto:techsupport@chatsworth.com)

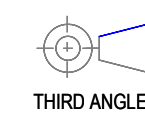
©2021 Chatsworth Products, Inc.  
All rights reserved.



All products quoted are subject to availability based on manufacturing capacity and shipping dates should be considered estimates only.

eConnect Horizontal 2U PDU, Switched Pro, C20 inlet to L6-20, 10ft (3m), 208V Single Phase Input, 20A, (18) C13 (6) C19 Outlets, 208V Output

While every effort has been made to ensure the accuracy of all information, CPI does not accept liability for any errors or omissions and reserves the right to change information and descriptions of listed services and products.



EA-6469-X ISS  
SHEET 1 OF 1