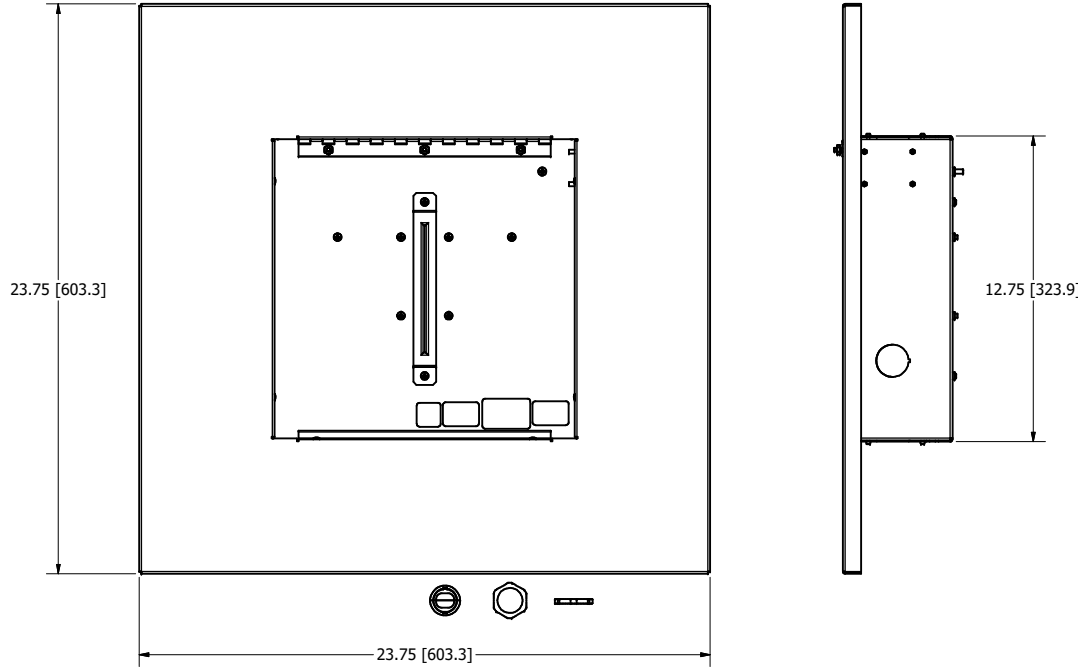
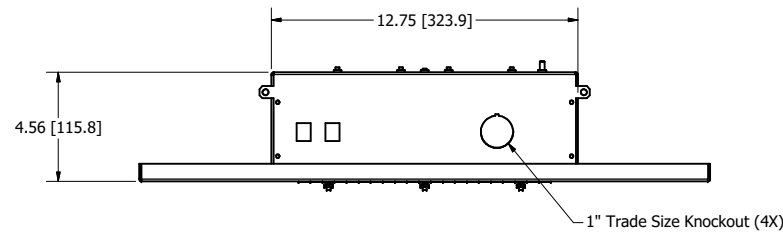


ENCLOSURE BACKBOX

REVISION HISTORY				
ZONE	REV	DESCRIPTION	DATE	APPROVED
All	1	Released	7/11/2019	DLV
All	2	Updated Images, Added P/N List	11/26/2019	CAH
All	3	Updated "Includes" List, Configuration Table	2/19/2020	CAH
All	4	Updated "Includes" List	3/31/2020	CAH



NOTES:

- Weight: 13 lbs.
- Material:
 - 16 Ga. Galvanized Steel Backbox
 - 14 Ga. White Powder Coated Steel Door
 - 18 Ga. White Powder Coated Steel Bezel

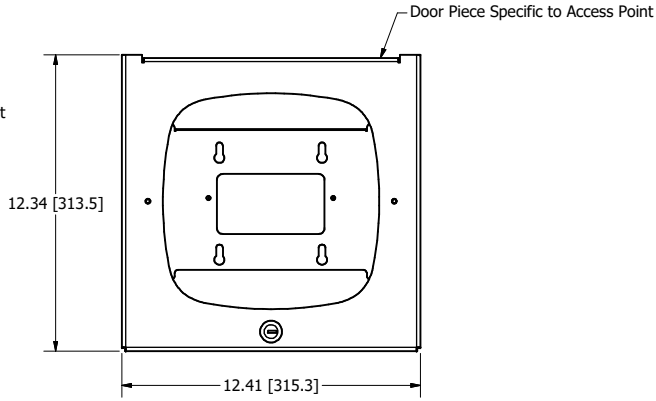
Includes:

- (4) Wire Hangers
- (1) T-Bar Bracket
- (1) Dual Cable Egress Fire Stop Grommet
- (1) 1 in. Trade Size Conduit Connector
- (1) Grounding Screw
- (2) Keys for Lock

- UL Listed File No. E249360
- OSHPD Approved: File No. OPM-0110-13

DOOR

**NOTE: Door Cutout Specific to Access Point



NOTE: All materials used in the construction of Oberon products must be RoHS compliant and meet RoHS2 Directive 2011/65/EU. Contact Oberon engineering if RoHS compliant materials are not available.

DRAWN	CAH	3/31/2020	Oberon, Inc. - 1315 S. Allen St. - State College, PA 16801	
CHECKED	CAH	3/31/2020	TITLE	
QA			Model 1052-XX	
MFG	CAH	3/31/2020	SIZE	DWG NO
APPROVED	CAH	3/31/2020	C	1052-XX
TOLERANCE:		.0 = +/- .030	SCALE	
		.00 = +/- .015		
		.000 = +/- .005		
			SHEET 1 OF 2	

Please specify configuration when ordering:

1052 - _____ - _____

ENCLOSURE - AP DOOR - COMPLIANCE TYPE
 STYLE (See Configurations) (For Ordering -CCEA SKUs Only)
 (Leave Blank When Ordering Standard Models)

CONFIGURATION TABLE				
MODEL NUMBER	ENCLOSURE STYLE	AP DOOR	ACCESS POINT	TO ORDER DOOR SEPARATELY - USE DOOR P/N ONLY
1052-00	1052	00	General Purpose for APs w/ External Antennas	38-105X-00
1052-AP215	1052	AP215	Aruba AP215	38-105X-AP215
1052-AP225	1052	AP225	Aruba AP225	38-105X-AP225
1052-ARAP305	1052	ARAP305	Aruba AP305	38-105X-ARAP305
1052-ARAP315	1052	ARAP315	Aruba AP315	38-105X-ARAP315
1052-ARAP325	1052	ARAP325	Aruba AP325	38-105X-ARAP325
1052-ARAP335	1052	ARAP335	Aruba AP335 or AP345	38-105X-ARAP335
1052-ARAP505	1052	ARAP505	Aruba AP505	38-105X-ARAP505
1052-ARAP515	1052	ARAP515	Aruba AP515	38-105X-ARAP515
1052-ARAP535	1052	ARAP535	Aruba AP535	38-105X-ARAP535
1052-ARAP555	1052	ARAP555	Aruba AP555	38-105X-ARAP555
1052-CCOAP	1052	CCOAP	Cisco 2700, 3700 Series APs	38-105X-CCOAP
1052-CCOAP3800	1052	CCOAP3800	Cisco 2800, 3800 Series APs	38-105X-CCOAP3800
1052-COAP4800	1052	COAP4800	Cisco 4800 Series APs	38-105X-COAP4800
1052-COAP9115	1052	COAP9115	Cisco 9115 Series APs	38-105X-COAP9115
1052-COAP9117	1052	COAP9117	Cisco 9117 Series APs	38-105X-COAP9117
1052-COAP9120	1052	COAP9120	Cisco 9120 Series APs	38-105X-COAP9120
1052-COAP9130	1052	COAP9130	Cisco 9130 Series APs	38-105X-COAP9130
1052-CP	1052	CP	General Purpose for APs w/ Internal Antennas	38-105X-CP
1052-DOME	1052	DOME	General Purpose for APs w/ Internal Antennas	38-105X-DOME
1052-SOLID	1052	SOLID	SOLID AP	38-105X-SOLID
1052-ND	1052	ND	N/A (No Door Included)	ND

"CCEA" = Compliant with "City of Chicago Environmental Air" Standard
 "CCEA" Versions for All Model Numbers are Available Upon Request

DRAWN CAH	3/31/2020	Oberon, Inc. - 1315 S. Allen St. - State College, PA 16801		
CHECKED CAH	3/31/2020	TITLE		
QA		Model 1052-XX		
MFG CAH	3/31/2020	SIZE C	DWG NO 1052-XX	REV 4
APPROVED CAH	3/31/2020	SCALE	SHEET 2 OF 2	
TOLERANCE:	.0 = +/- .030 .00 = +/- .015 .000 = +/- .005			