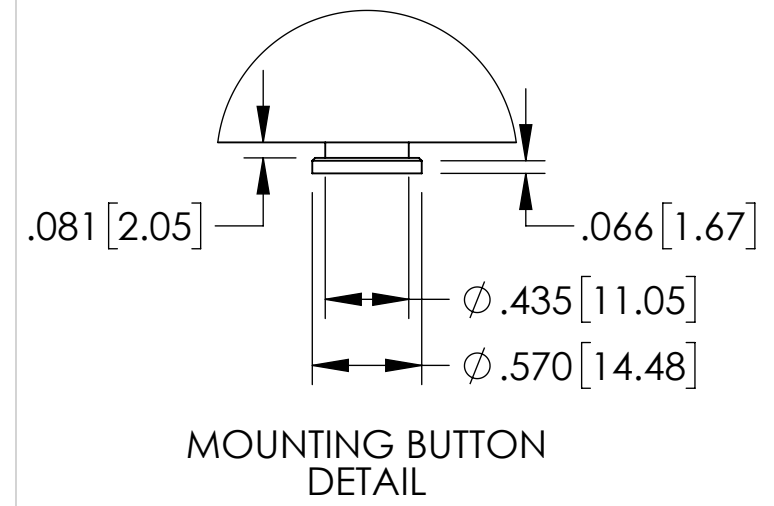
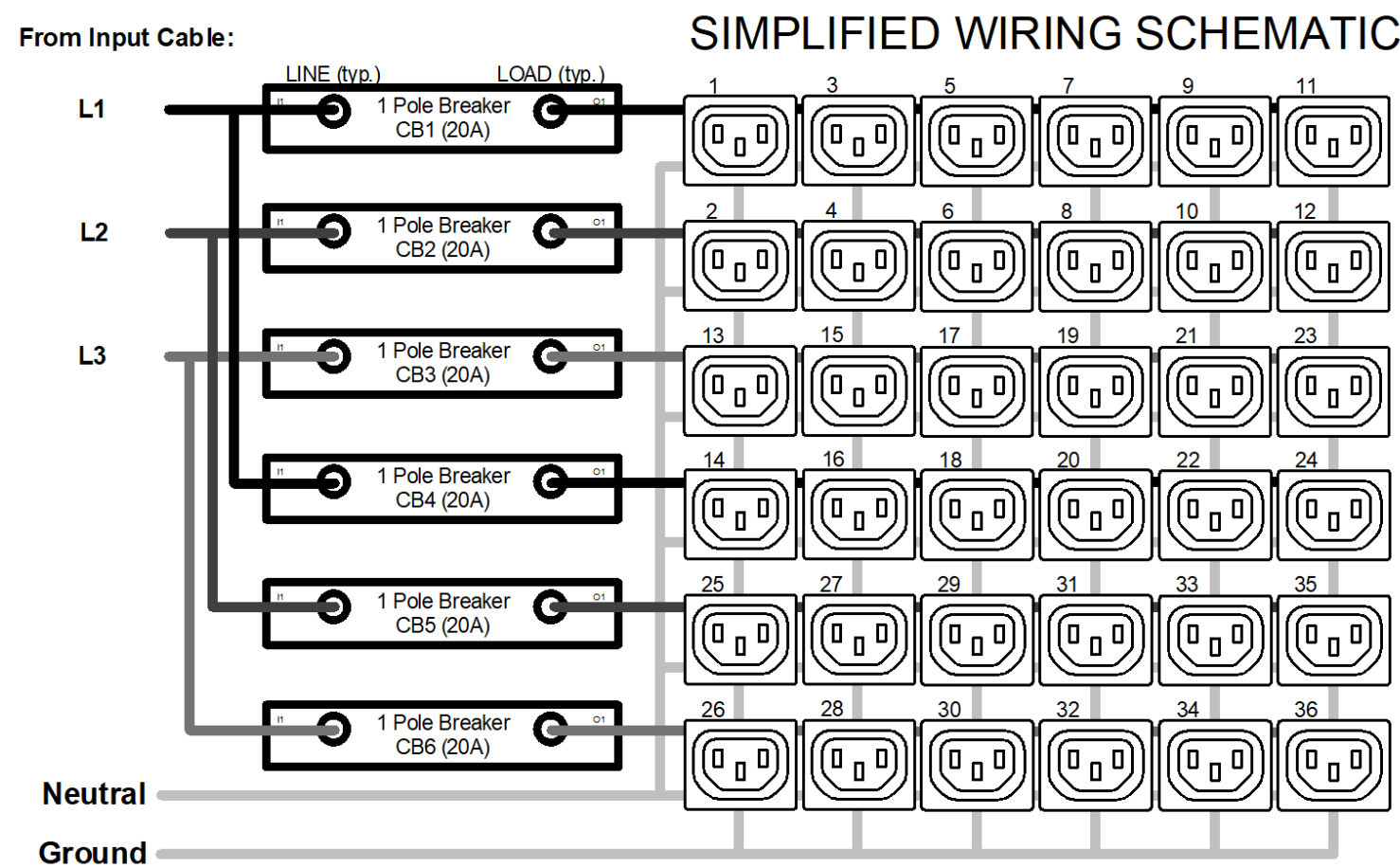
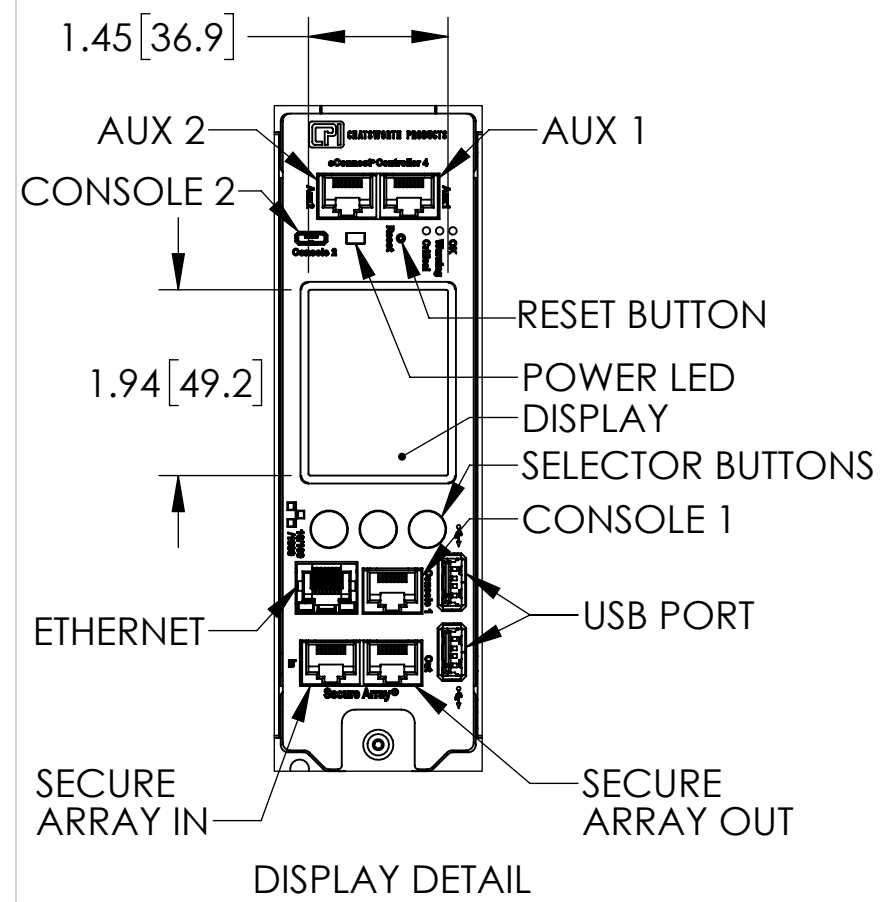


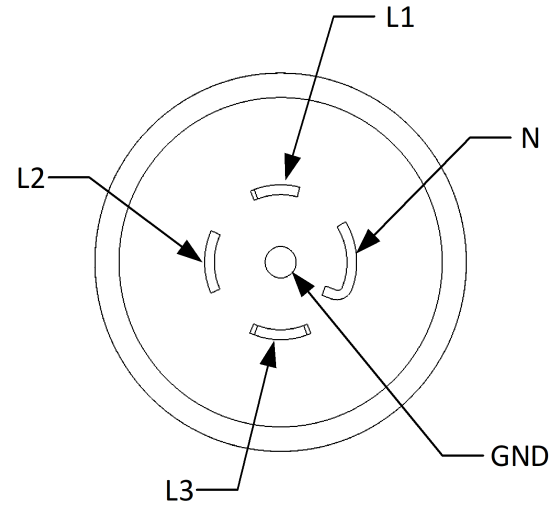
| Technical Specs: | |
|----------------------------------|------------------------------------|
| Input Ratings | |
| Nominal Voltage (VAC) | 240/415V 3ph |
| Input Plug / Cord | NEMA L22-30P (IP20), 10 ft. Cord |
| Current Rating | 24A per phase |
| Power Rating (kW) | 17.28 |
| Output Ratings | |
| Nominal Voltage (VAC) | 240V |
| Current Rating | 72A |
| Outlet Rating | C13 10A max |
| Max Current per Breaker | 12A Balanced; 16A Unbalanced |
| Outlet Combination | |
| Load Segment | Refer to Simplified Wire Schematic |
| PDU Total | (36)C13 |
| Branch Circuit Protection | |
| | (6) 1Pole 20A 10kAIC Breaker |

| Features: | |
|---------------------|--|
| Local Display | (1) LCD Display - Branch Monitoring, IP Setup, Alarm Notification, Auto-Oriented |
| Branch Monitoring | Current, Voltage, Power, PF per Circuit |
| Outlet Monitoring | Current, Voltage, Power, PF per Outlet |
| Monitoring Accuracy | +/- 1% True RMS |
| Ethernet Port | 10/100/1000 Mbps RJ45 |
| Remote Monitoring | GUI, SNMP v1-3, RS232, RESTful API, Power IQ |
| Remote Control | ON/OFF/CYCLE outlets remotely |
| IP Consolidation | Link up to 32 PDUs under a single IP Address |
| USB Ports (2) | Update firmware, Opt'l Temp/Humidity Sensor |
| Controller Module | Field Replaceable |
| Auxiliary Port (2) | Opt'l Front and Rear Electric Door Lock |
| Cord Retention | Locking Receptacles |
| Mounting System | Multiple tool-less mounting buttons, locations, A and B (see detail) |

| Dimensions & Weights: | |
|----------------------------------|---|
| Width (In[mm]) | 2.2[55] |
| Height (In[mm]) | 71.9[1827] |
| Depth (In[mm]) | 2.8[70.1] |
| Weight (lbs[kg]) | 18[8.2] |
| Regulatory Information: | |
| | NEMKO Listed to UL/IEC 62368-1, CE, RoHS, FCC Part 15 Class A, EN 55022 |
| Regulatory Part Number: | |
| | K60-6Y247-005-72A |
| Environmental Conditions: | |
| Operating Temperature | 32 - 149F (0 - 65C)@ Input Pwr Rating (kW) |
| Operating Rel Humidity | 5 - 95% |
| Operating Elevation | 0-10000ft (0-3000 m) |
| Storage Temperature | -13 - 149F (-25 - 65C) |
| Storage Rel Humidity | 5 - 95% |
| Storage Elevation | 0-50000ft (0-15000m) |
| Hardware Included: | |
| | (2) tool-less pre-installed mounting buttons (1) ground kit cable |
| Warranty: | |
| | 3 yrs. Standard, 2 add'l yrs Opt'l |
| Optional Accessories: | |
| | Temp & Humidity Sensor, Electronic Locks |



INPUT PLUG DETAIL
NEMA L22-30
30A / 4P5W



- Notes:
- 1 All Dimension are in inches [millimeters] unless otherwise specified
 - 2 Installation must conform with all related national and local codes
 - 3 All Bracket kits are sold separately. Toolless mounting buttons are included for installation in CPI cabinets.
 - 4 For more information, please contact Tech Support at techsupport@chatsworth.com

©2019 Chatsworth Products, Inc.
All rights reserved.

All products quoted are subject to availability based on manufacturing capacity and shipping dates should be considered estimates only.

While every effort has been made to ensure the accuracy of all information, CPI does not accept liability for any errors or omissions and reserves the right to change information and descriptions of listed services and products.



eConnect Vertical PDU, Switched Pro, L22-30, 10ft (3m), 240/415V Three Phase Input, 30A, (36) C13 Outlets, 240V Output