

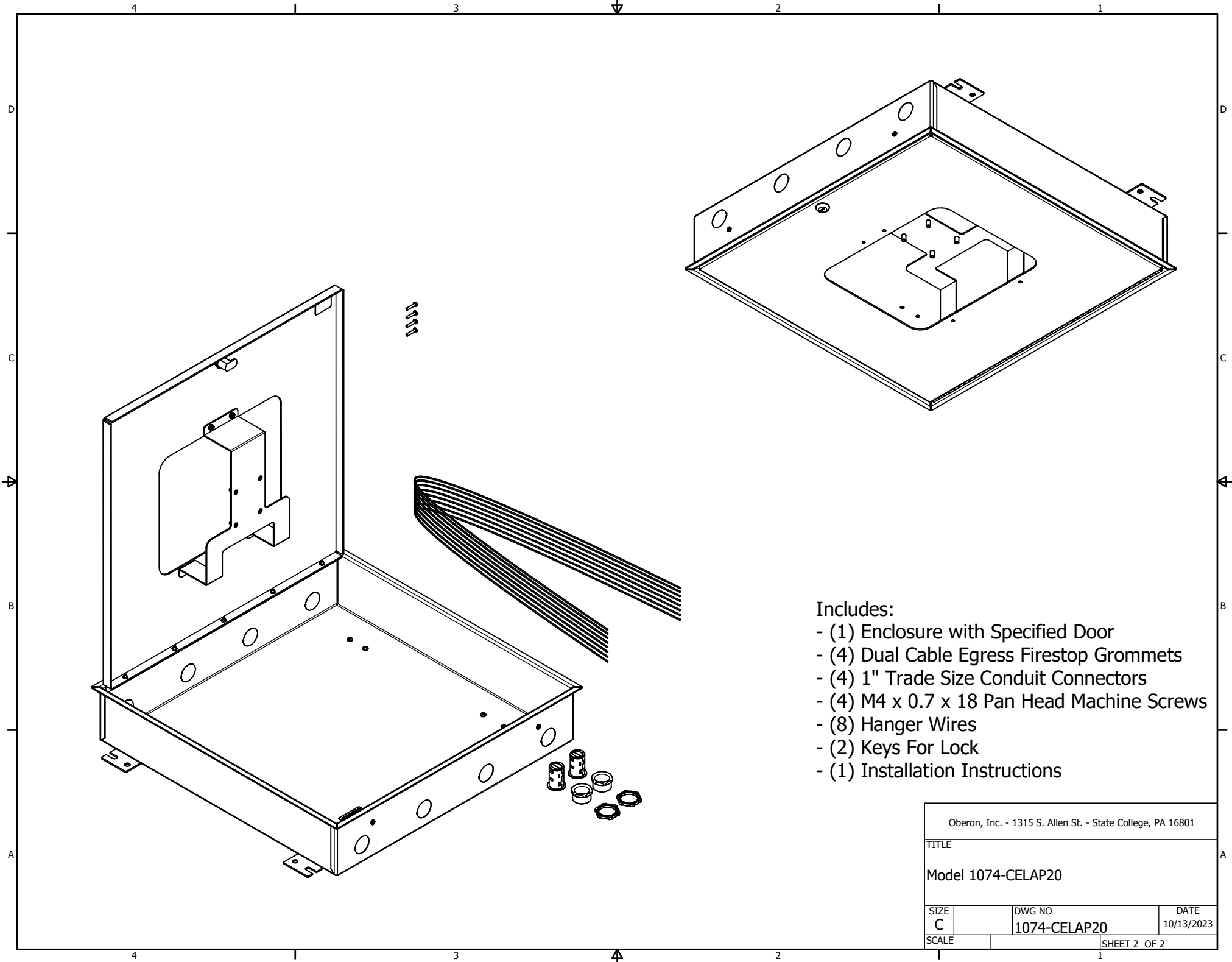
**NOTES:**

- Weight: 18 lbs.
- Material: 10 Ga. White Power Coated Aluminum Backbox  
10 Ga. White Powder Coated Aluminum Door

Includes: (See Page 2)

- UL Listed File No. E348543
- HCAI Approved: File No. OPM-0110-22

Oberon, Inc. - 1315 S. Allen St. - State College, PA 16801			
TITLE			
Model 1074-CELAP20			
SIZE	DWG NO	DATE	
C	1074-CELAP20	10/13/2023	
SCALE	SHEET 1 OF 2		



**Includes:**

- (1) Enclosure with Specified Door
- (4) Dual Cable Egress Firestop Grommets
- (4) 1" Trade Size Conduit Connectors
- (4) M4 x 0.7 x 18 Pan Head Machine Screws
- (8) Hanger Wires
- (2) Keys For Lock
- (1) Installation Instructions

Oberon, Inc. - 1315 S. Allen St. - State College, PA 16801			
TITLE			
Model 1074-CELAP20			
SIZE	DWG NO	DATE	
C	1074-CELAP20	10/13/2023	
SCALE	SHEET 2 OF 2		