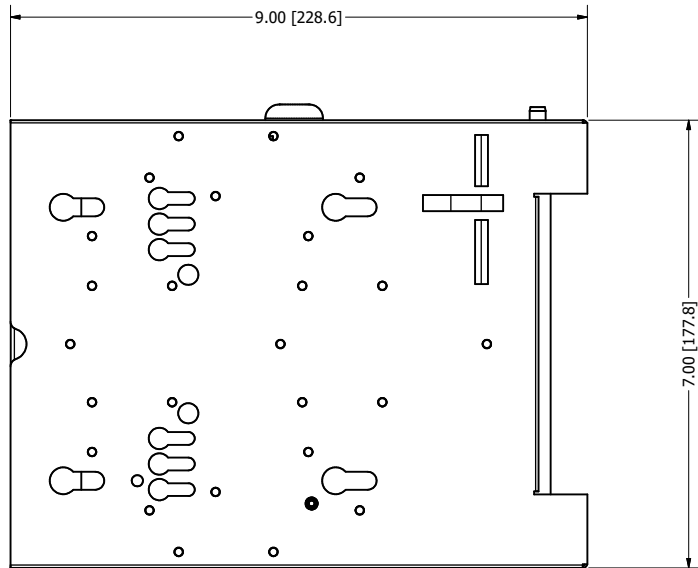
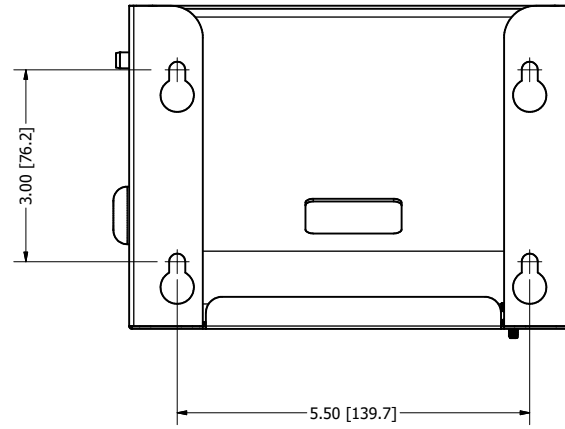
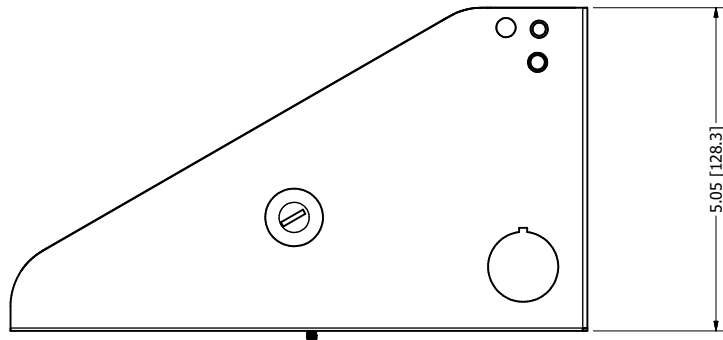


Weight: 2.5lbs without AP

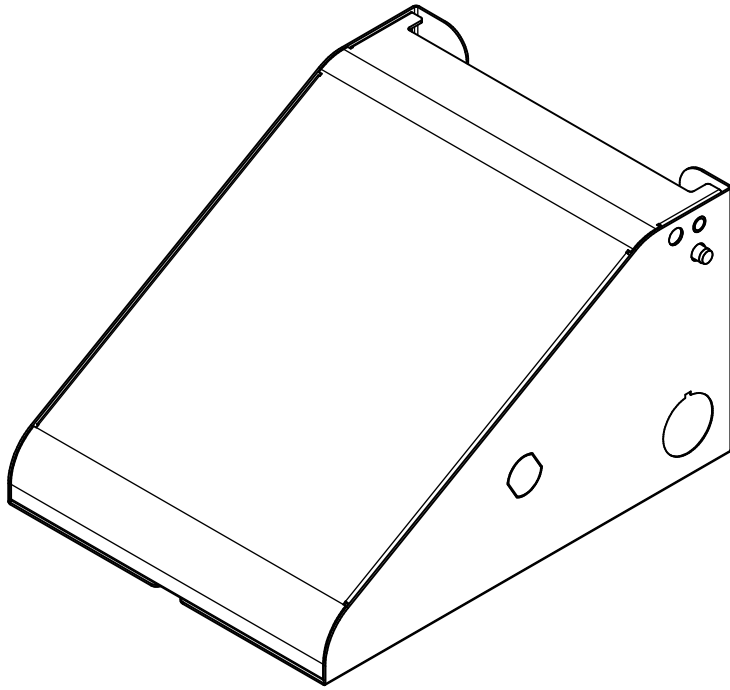
Included Items		
ITEM	QTY	DESCRIPTION
1	1	1011-00-XX Cover
2	1	1011-00-XX Base
3	1	Thumb Screws for Cisco APs
4	4	#6 Self-Tapping Screw
5	1	Cable Tie
6	1	T-Bar Bracket
7	1	Lock (only included in locking versions)

Oberon, Inc. - 1315 S. Allen St. - State College, PA 16801		
TITLE		
Model 1011 Specification Sheet		
SIZE	DWG NO	DATE
C	SPEC-OB1011	12/4/2025
SCALE	SHEET 1 OF 4	

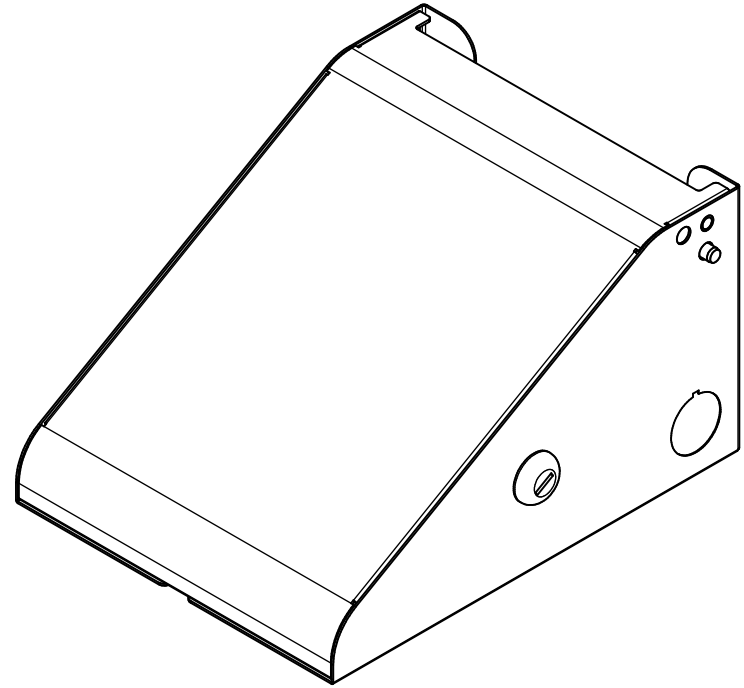
# DIMENSIONS



Oberon, Inc. - 1315 S. Allen St. - State College, PA 16801			
TITLE			
Model 1011 Specification Sheet			
SIZE	DWG NO	DATE	
C	SPEC-OB1011	12/4/2025	
SCALE			SHEET 2 OF 4



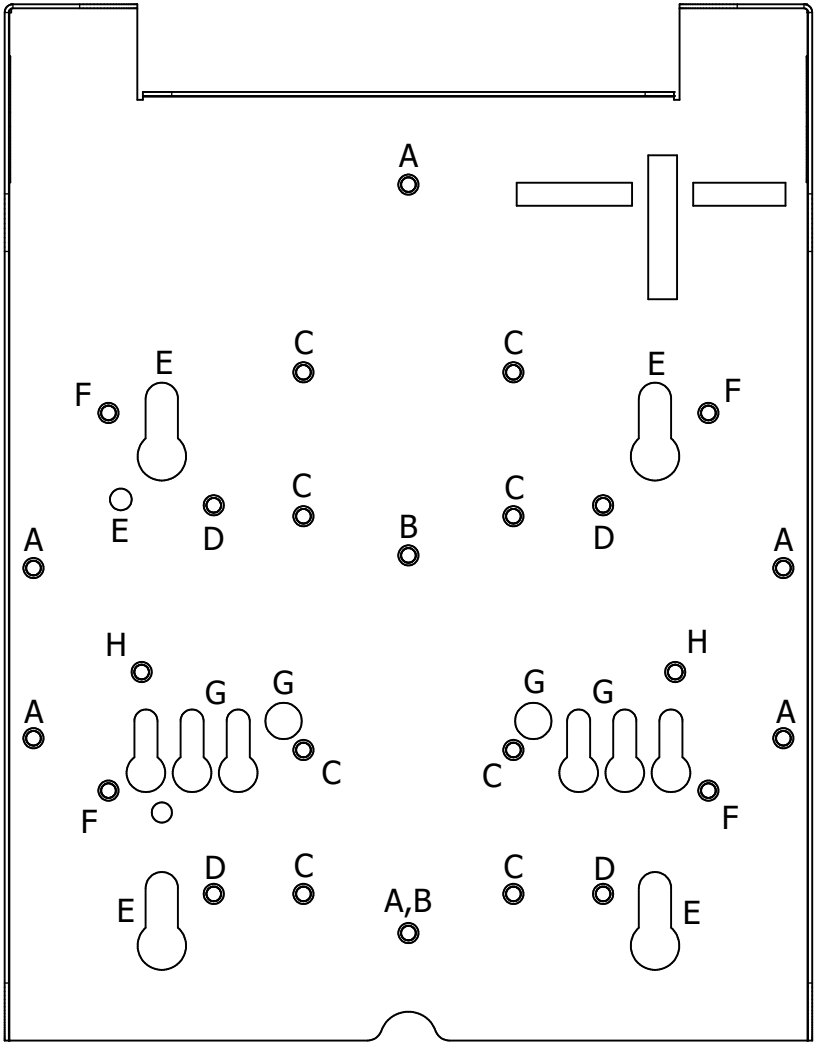
1011-00-XX



1011-L-XX

Configurations		
SKU	Locking	Color
1011-00-WH	No	White
1011-00-BK	No	Black
1011-00-MT	No	Metallic
1011-L-WH	Yes	White
1011-L-BK	Yes	Black
1011-L-MT	Yes	Metallic

Oberon, Inc. - 1315 S. Allen St. - State College, PA 16801		
TITLE		
Model 1011 Specification Sheet		
SIZE	DWG NO	DATE
C	SPEC-OB1011	12/4/2025
SCALE	SHEET 3 OF 4	



- MOUNTING LEGEND**
- A - Oberon T-Bar
  - B - Single-Gang Outlet Box
  - C - Double Gang Outlet Box
  - D - 4" Square Junction Box
  - E - Cisco Direct Mounting and Preinstalled Set Screw
  - F - Single Gange Outlet Box for Meraki MA-MNT-MR Mounting Plates
  - G - Aruba 5XX+ Series Direct Mounting
  - H - Meraki MA-MNT-MR-14 Mounting Plate

Oberon, Inc. - 1315 S. Allen St. - State College, PA 16801			
TITLE			
Model 1011 Specification Sheet			
SIZE	DWG NO	DATE	
C	SPEC-OB1011	12/4/2025	
SCALE	SHEET 4 OF 4		