

FLANGE DIMENSIONS		
Flange Style	Dim X	Dim Y
1047-XXXX (U.S. Size)	23.75"	23.75"
1047-XXXX-T (U.S. Size)	23.75"	23.75"
1047-XXXX-600MM (Metric Size)	594 MM	594 MM

NOTES:

- Weight: 17.5 lbs.
- Material: 20 Gauge Aluminum Backbox
18 Gauge Steel Door White Powder Coat
18 Gauge Steel Flange White Powder Coat
White ABS or Frosted Polycarbonate UL94-5VA Dome
18 Gauge Galvanized Steel T-Bar Mount

Includes:

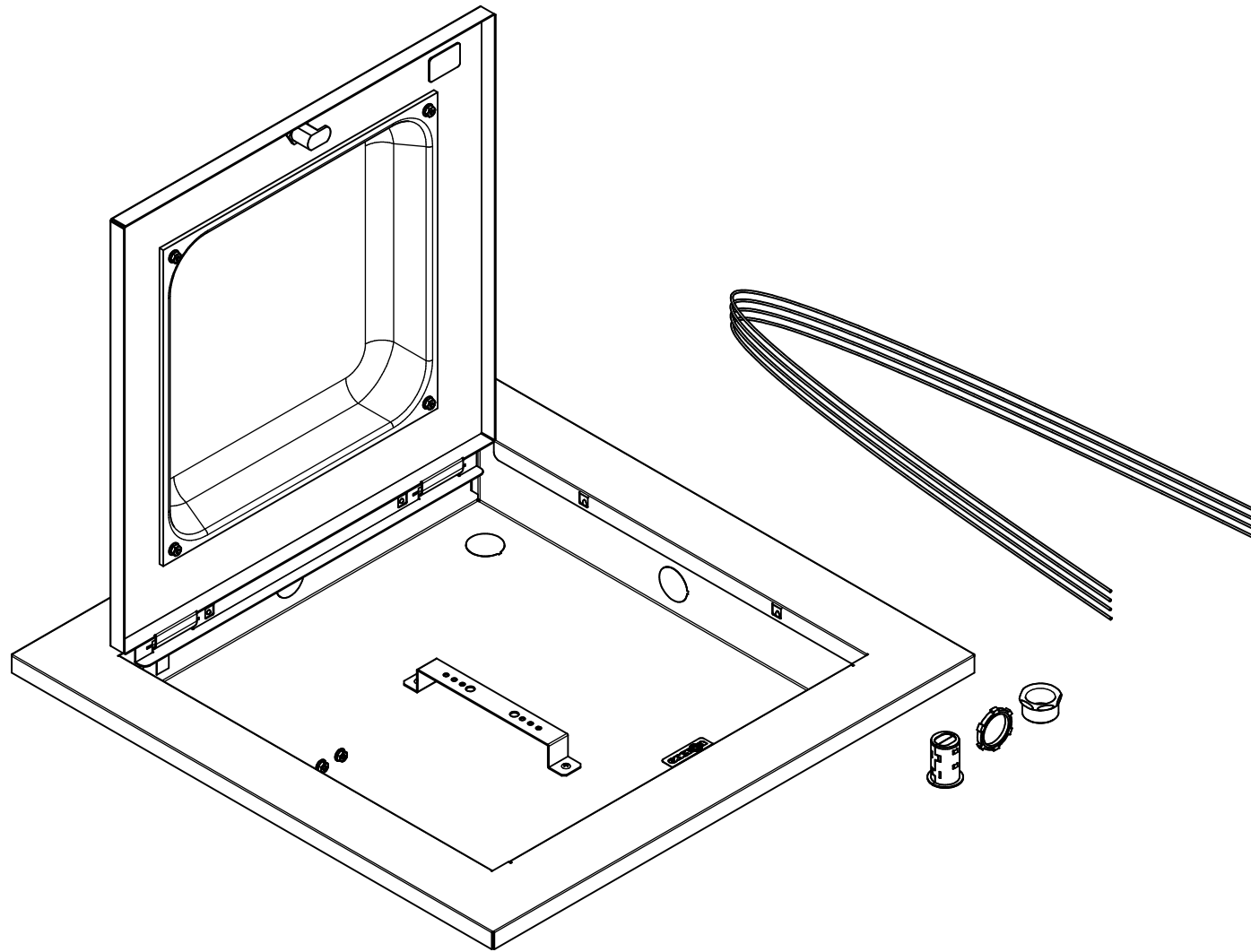
- (1) Enclosure and Interchangeable Door
- (1) Dual Cable Egress Firestop Grommet
- (1) 1 in. Trade Size Conduit Connector
- (4) Hanger Wires
- (2) Keys for Lock
- (1) T-Bar Mounting Bracket

UL Listed - File Number E348543

HCAI Approved - OPM-0110

NOTE: All materials used in the construction of Oberon products must be RoHS compliant and meet RoHS2 Directive 2011/65/EU. Contact Oberon engineering if RoHS compliant materials are not available.

DRAWN RLC	5/16/2025	Oberon, Inc. - 1315 S. Allen St. - State College, PA 16801		
CHECKED	5/16/2025	TITLE		
QA		Model 1047-LPDOME-TBAR		
MFG RLC	5/16/2025	SIZE C	DWG NO Model1047-LPDOME-TBAR	REV
APPROVED RLC	5/16/2025	SCALE	SHEET 1 OF 2	
TOLERANCE:	.0 = +/- .030 .00 = +/- .015 .000 = +/- .005			



DRAWN	RLC	5/16/2025	Oberon, Inc. - 1315 S. Allen St. - State College, PA 16801		
CHECKED	QA	5/16/2025	TITLE		
MFG	RLC	5/16/2025	Model 1047-LPDOME-TBAR		
APPROVED	RLC	5/16/2025	SIZE	DWG NO	REV
TOLERANCE:	.0 = +/- .030		C	Model1047-LPDOME-TBAR	
	.00 = +/- .015		SCALE		
	.000 = +/- .005				SHEET 2 OF 2