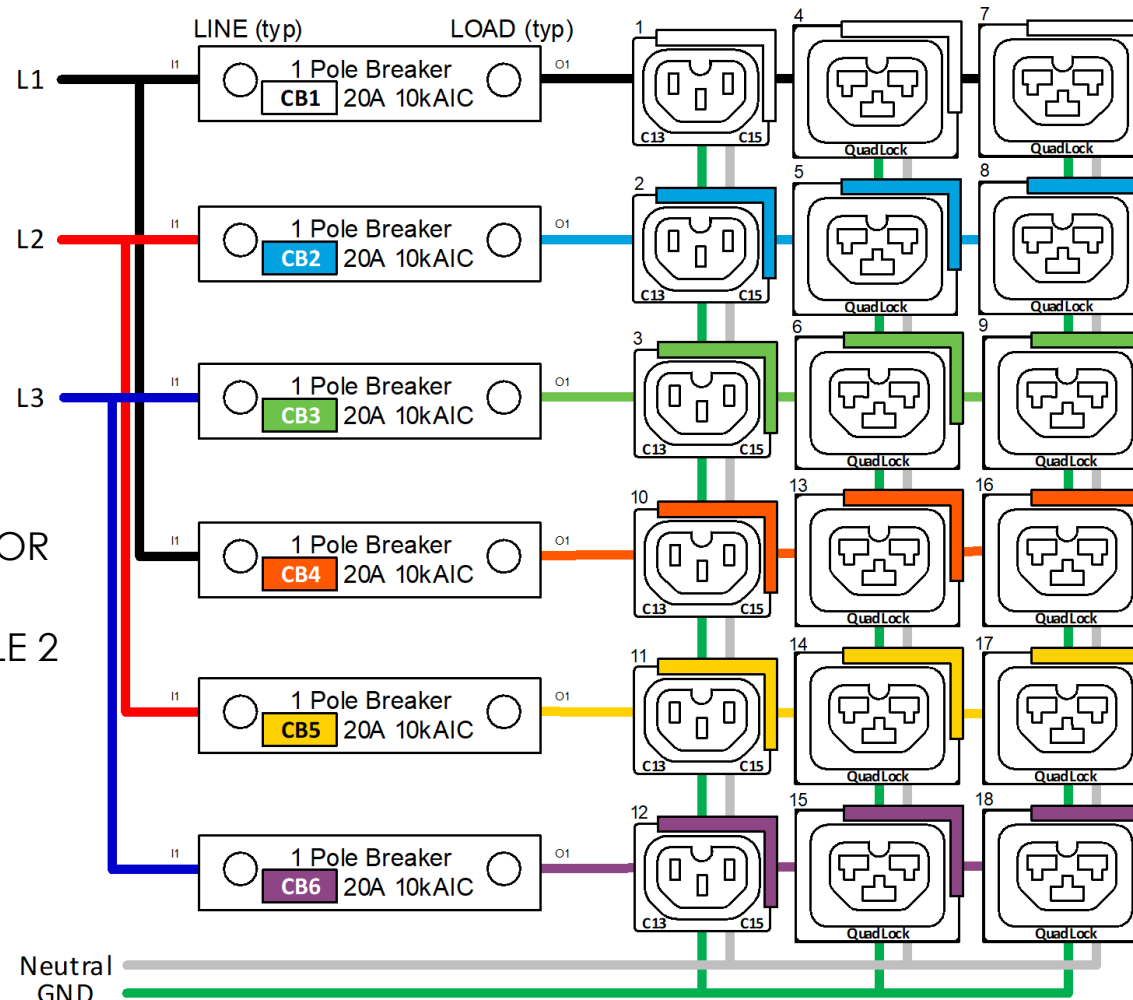
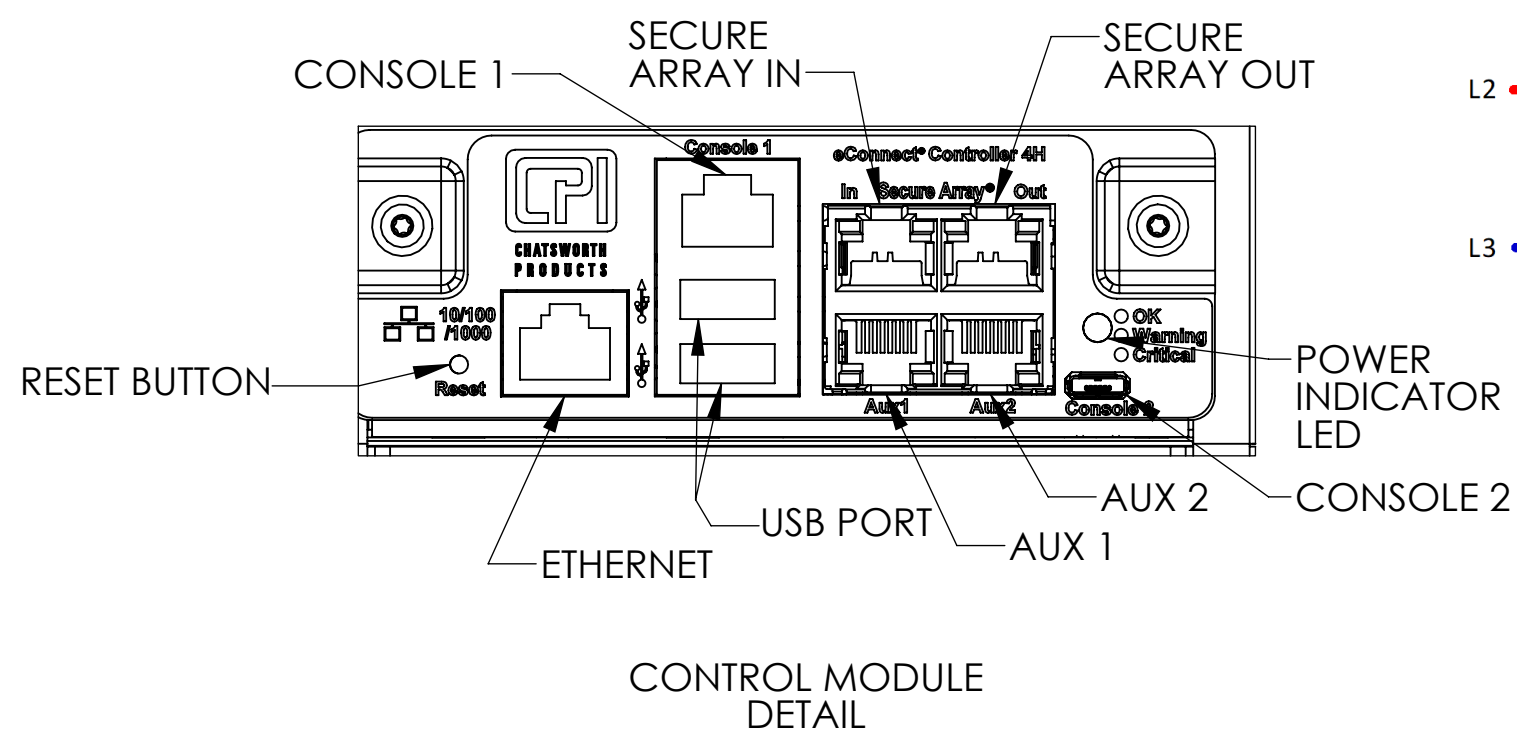
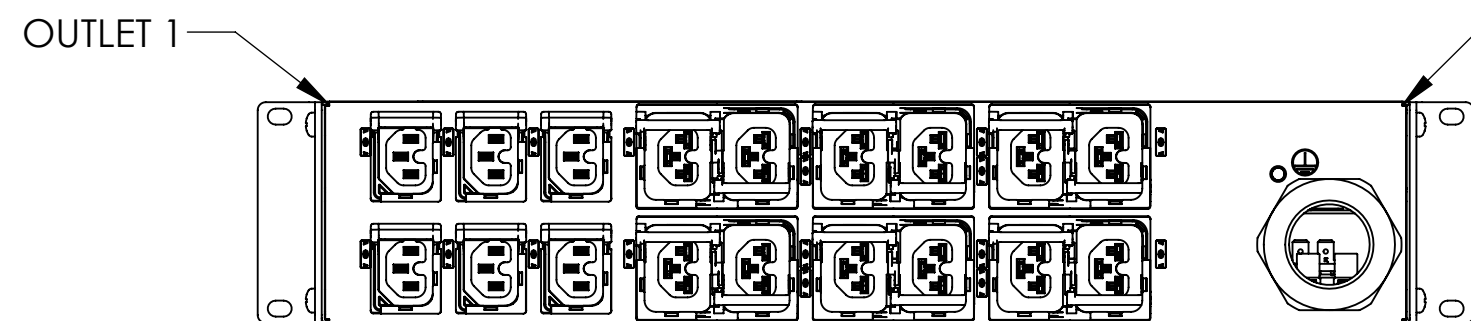


INPUT PLUG DETAIL  
IEC 60309 6H  
32A / 4P5W



Technical Specs:	
<b>Input Ratings</b>	
Nominal Voltage (VAC)	220-240V/380-415V 3ph
Input Plug / Cord	532P6W(IP67)
Current Rating	25.6A (UL) / 32A (CE) per phase
Power Rating (kW)	UL: 18.43 CE 23.04
<b>Output Ratings</b>	
Nominal Voltage (VAC)	220-240V
Current Rating	76.8A (UL) / 96A (CE)
Outlet Rating	C13/C15 10A max, QuadLock 16A max
Max Current per Breaker	12.8A (UL) / 16A (CE) Balanced; 16A Unbalanced
<b>Outlet Combination</b>	
Load Segment	Refer to Simplified Wire Schematic
PDU Total	(6)C13/C15, (12)QuadLock C13/C15/C19/C21
<b>Branch Circuit Protection</b>	
Surge Suppression	(6) 20A, 10kAIC, Single Pole
<b>Surge Suppression</b>	
None	
<b>Features:</b>	
Local Display	Not Supported
Branch Monitoring	Current, Voltage, Power, PF per Circuit
Outlet Monitoring	Current, Voltage, Power, PF per Outlet
Monitoring Accuracy	+/- 1% True RMS
Ethernet Port	10/100/1000 Mbps RJ45
Remote Monitoring	GUI, SNMP v1-3, RESTful API, CLI, Power IQ, Redfish
Remote Control	ON/OFF/CYCLE outlets remotely
IP Consolidation	Link 32/48 (with/without electronic locks) PDU's per IP address
USB Ports (2)	Update firmware, Opt'l Temp/Humidity Sensor
Controller Module	Field Replaceable
Auxiliary Port (2)	Optional Sensor Modules, Front & Rear Door Electronic Locks
Cord Retention	Locking Receptacles
Mounting System	Pre-installed Mounting brackets
<b>Dimensions &amp; Weights:</b>	
Width (In[mm])	17 [431.8]
Height (In[mm])	3.47 [88.1]
Depth (In[mm])	12 [304.8]
Weight (lbs[kg])	21.5 [9.8]
<b>Regulatory Compliance:</b>	
NEMKO Listed to UL/IEC62368-1, CE, RoHS, FCC Part 15 Class A, EN 55022, TAA	
<b>Regulatory Part Number:</b>	
Black: K64-6Y627-F19-72A White: K64-6Y627-F19-E2A	
<b>Environmental Conditions:</b>	
Operating Temperature	32°F - 149°F (0°C - 65°C)
Operating Rel Humidity	5 - 95%
Operating Elevation	0-10000 ft (0-3000 m)
Storage Temperature	-13°F to 149°F (-25°C to 65°C)
Storage Rel Humidity	5 - 95%
Storage Elevation	0-50000ft (0-15000m)
<b>Hardware Included:</b>	
(2) Pre-installed mounting brackets (1) ground kit cable	
<b>Warranty</b>	
3 yrs. Standard, 2 add'l yrs. Opt'l	
<b>Optional Accessories:</b>	
Electronic Locks & Sensor Options	

- Notes:
- 1 All Dimension are in inches [millimeters] unless otherwise specified
  - 2 Installation must conform with all related national and local codes
  - 3 All Bracket kits are sold separately. Toolless mounting buttons are included for installation in CPI cabinets.
  - 4 For more information, please contact Tech Support at [techsupport@chatsworth.com](mailto:techsupport@chatsworth.com)

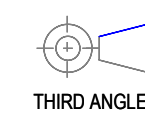
©2021 Chatsworth Products, Inc.  
All rights reserved.



All products quoted are subject to availability based on manufacturing capacity and shipping dates should be considered estimates only.

eConnect Horizontal 2U PDU, Switched Pro, IEC 60309 32A 3P+N+E, 10ft (3m), 220-240/380-415V Three Phase Input, 32A, (6) C13/C15 (12) QuadLock C13/C15/C19/C21 Outlets, 220-240V Output

While every effort has been made to ensure the accuracy of all information, CPI does not accept liability for any errors or omissions and reserves the right to change information and descriptions of listed services and products.



EA-64A9W-X ISS

SHEET 1 OF 1