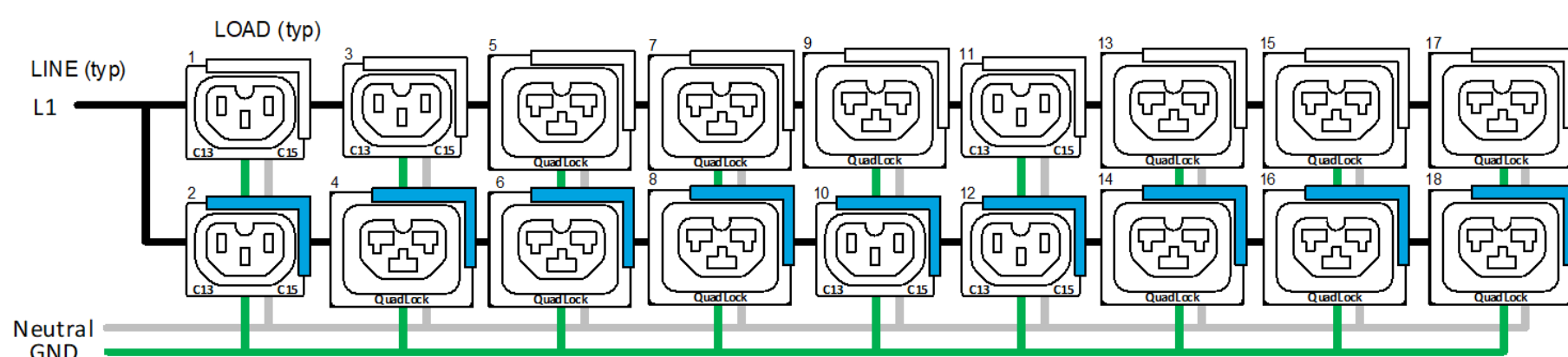
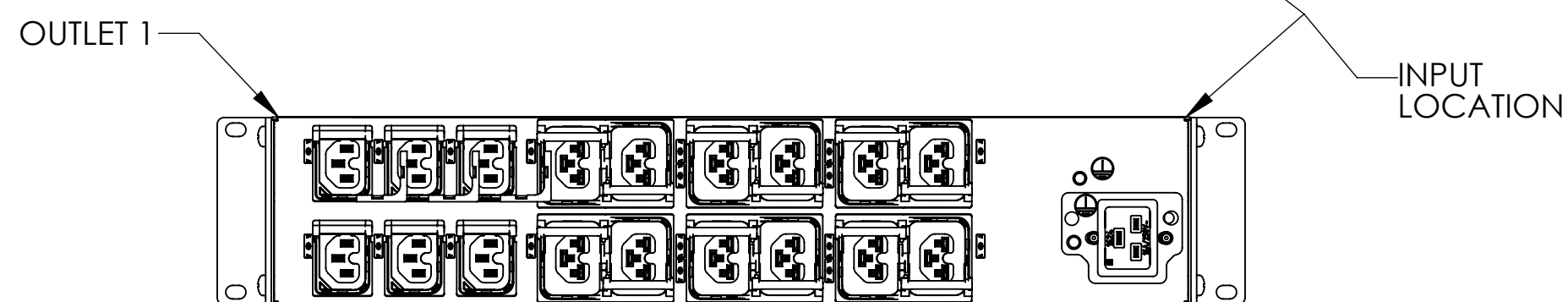


INPUT PLUG DETAIL  
IEC60309 6H  
16A / 2P3W



Technical Specs:	
<b>Input Ratings</b>	
Nominal Voltage (VAC)	220 - 240V 1ph
Input Plug / Cord	316P6W(IP67)
Current Rating	16A
Power Rating (kW)	3.84
<b>Output Ratings</b>	
Nominal Voltage (VAC)	220-240V
Current Rating	16A
Outlet Rating	C13/C15 10A max, QuadLock 16A max
Max Current per Breaker	N/A
<b>Outlet Combination</b>	
Load Segment	Refer to Simplified Wire Schematic
PDU Total	(6)C13/C15, (12)QuadLock C13/C15/C19/C21
<b>Branch Circuit Protection</b>	
	(0) No Breaker
<b>Surge Suppression</b>	
	None
<b>Features:</b>	
Branch Monitoring	Not Supported
Outlet Monitoring	Not Supported
Monitoring Accuracy	Not Supported
Ethernet Port	Not Supported
Remote Monitoring	Not Supported
Remote Control	Not Supported
IP Consolidation	Not Supported
USB Ports (2)	Not Supported
Controller Module	Not Supported
Auxiliary Port (2)	Not Supported
Cord Retention	Locking Receptacles
Mounting System	Pre-installed mounting brackets
<b>Dimensions &amp; Weights:</b>	
Width (In[mm])	17[431.8]
Height (In[mm])	3.47[88.1]
Depth (In[mm])	12[304.8]
Weight (lbs[kg])	21.5[9.8]
<b>Regulatory Compliance:</b>	
	NEMKO Listed to UL/IEC62368-1, CE, RoHS, FCC Part 15 Class A, EN 55022, TAA
<b>Regulatory Part Number:</b>	
	Black: K14-0Y410-F19-72A White: K14-0Y410-F19-E2A
<b>Environmental Conditions:</b>	
Operating Temperature	32°F - 149°F (0°C - 65°C)
Operating Rel Humidity	5 - 95%
Operating Elevation	0-10000 ft (0-3000 m)
Storage Temperature	-13°F to 149°F (-25°C to 65°C)
Storage Rel Humidity	5 - 95%
Storage Elevation	0-50000ft (0-15000m)
<b>Hardware Included:</b>	
	(2) Pre-installed mounting brackets (1) ground kit cable
<b>Warranty</b>	
	3 yrs. Standard, 2 add'l yrs. Opt'l
<b>Optional Accessories:</b>	
	Not Supported

- Notes:
- All Dimension are in inches [millimeters] unless otherwise specified
  - Installation must conform with all related national and local codes
  - All Bracket kits are sold separately. Toolless mounting buttons are included for installation in CPI cabinets.
  - For more information, please contact Tech Support at [techsupport@chatsworth.com](mailto:techsupport@chatsworth.com)

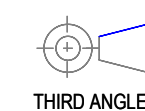
©2021 Chatsworth Products, Inc.  
All rights reserved.

All products quoted are subject to availability based on manufacturing capacity and shipping dates should be considered estimates only.

While every effort has been made to ensure the accuracy of all information, CPI does not accept liability for any errors or omissions and reserves the right to change information and descriptions of listed services and products.



eConnect Horizontal 1U PDU, Basic, C20 inlet to IEC 60309 16A 1P+N+E, 10ft (3m), 220-240V Single Phase Input, 16A, (6) C13/C15 (12) QuadLock C13/C15/C19/C21 Outlets, 220-240V Output



E0-14A6W-X

ISS

SHEET 1 OF 1