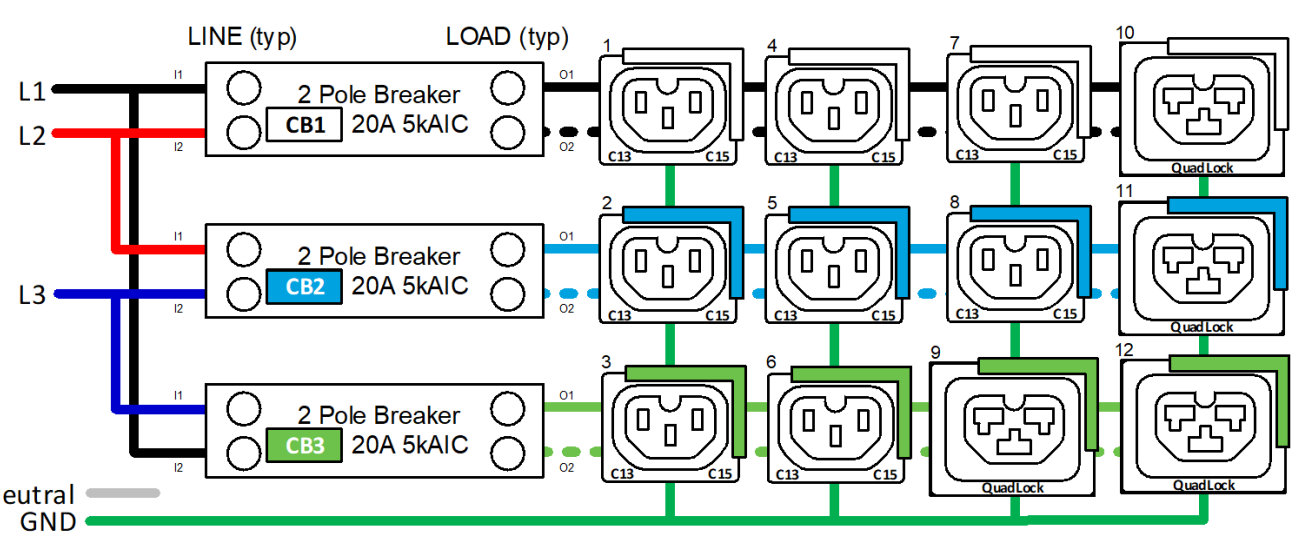


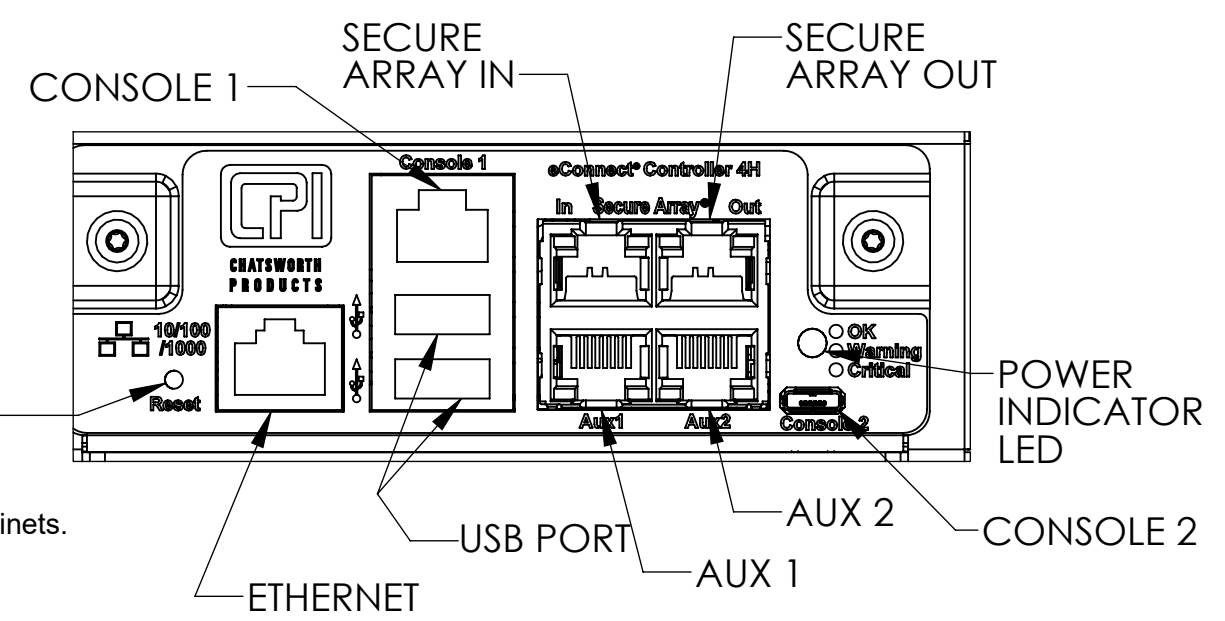
INPUT PLUG DETAIL
NEMA L21-30
30A / 4P5W

OUTLET 1

INPUT LOCATION



CONTROL MODULE
DETAIL



- Notes:
- 1 All Dimension are in inches [millimeters] unless otherwise specified
 - 2 Installation must conform with all related national and local codes
 - 3 All Bracket kits are sold separately. Toolless mounting buttons are included for installation in CPI cabinets.
 - 4 For more information, please contact Tech Support at techsupport@chatsworth.com

Technical Specs:	
Input Ratings	
Nominal Voltage (VAC)	120/208V 3ph
Input Plug / Cord	NEMA L21-30P
Current Rating	24A per phase
Power Rating (kW)	8.63
Output Ratings	
Nominal Voltage (VAC)	208V
Current Rating	41.5A
Outlet Rating	C13/C15 10Amax, QuadLock 16Amax
Max Current per Breaker	13.8A Balanced; 20A Unbalanced
Outlet Combination	
Load Segment	Refer to Simplified Wire Schematic
PDU Total	(8)C13/C15, (4)QuadLock C13/C15/C19/C21
Branch Circuit Protection	
	(3) 20A, 5kAIC, Double Pole
Surge Suppression	
	None
Features:	
Local Display	Not Supported
Branch Monitoring	Current, Voltage, Power, PF per Circuit
Outlet Monitoring	Current, Voltage, Power, PF per Outlet
Monitoring Accuracy	+/- 1% True RMS
Ethernet Port	10/100/1000Mbps RJ45
Remote Monitoring	GUI, SNMP v1-3, RS232, RESTful API, CLI, Power IQ, Redfish
Remote Control	Not Supported
IP Consolidation	Link 32/48 (with/without electronic locks) PDU's per IP address
USB Ports (2)	Update firmware, Opt'l Temp/Humidity Sensor
Controller Module	Field Replaceable
Auxiliary Port (2)	Optional Sensor Modules, Front & Rear Door Electronic Locks
Cord Retention	Locking Receptacles
Mounting System	Pre-installed Mounting brackets
Dimensions & Weights:	
Width (In[mm])	17 [431.8]
Height (In[mm])	1.72 [43.7]
Depth (In[mm])	12 [304.8]
Weight (lbs[kg])	10 [4.5]
Regulatory Compliance:	
	NEMKO Listed to UL/IEC62368-1, CE, RoHS, FCC Part 15 Class A, EN 55022, TAA
Regulatory Part Number:	
	Black: K42-3D226-F09-72A White: K42-3D226-F09-E2A
Environmental Conditions:	
Operating Temperature	32°F - 149°F (0°C - 65°C)
Operating Rel Humidity	5 - 95%
Operating Elevation	0-10000 ft (0-3000m)
Storage Temperature	-13°F to 149°F (-25°C to 65°C)
Storage Rel Humidity	5 - 95%
Storage Elevation	0-50000ft (0-15000m)
Hardware Included:	
	(2) Pre-installed mounting brackets (1) ground kit cable
Warranty	
	3 yrs. Standard, 2 add'l yrs. Opt'l
Optional Accessories:	
	Electronic Locks & Sensor Options

©2021 Chatsworth Products, Inc. All rights reserved.

All products quoted are subject to availability based on manufacturing capacity and shipping dates should be considered estimates only.

While every effort has been made to ensure the accuracy of all information, CPI does not accept liability for any errors or omissions and reserves the right to change information and descriptions of listed services and products.

CHATSORTH PRODUCTS

eConnect Horizontal 1U PDU, Monitored Pro, L21-30, 10ft (3m), 120/208V Three Phase Input, 30A, (8) C13/C15 (4) QuadLock C13/C15/C19/C21 Outlets, 208V Output

EA-4297W-X ISS

SHEET 1 OF 1

THIRD ANGLE