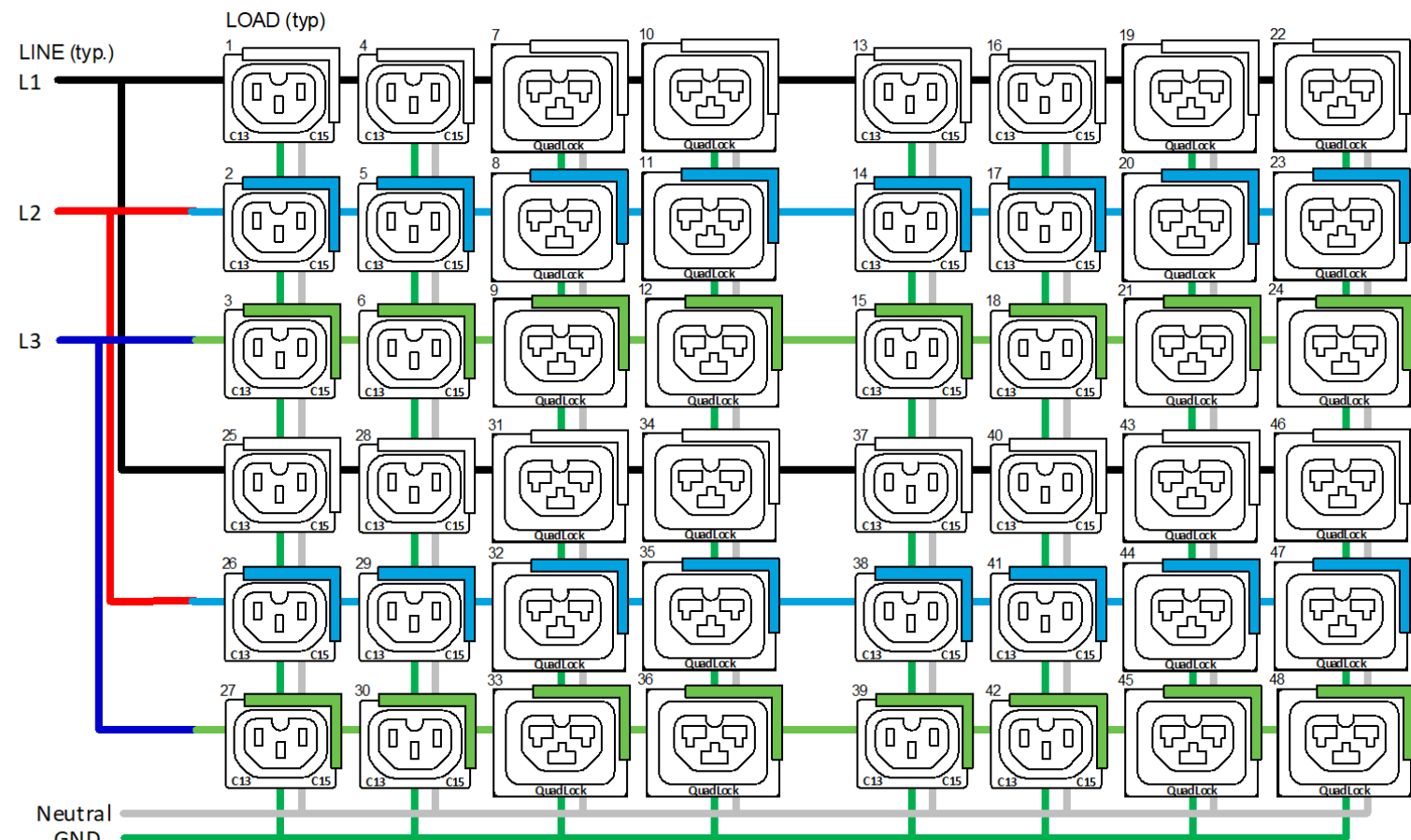
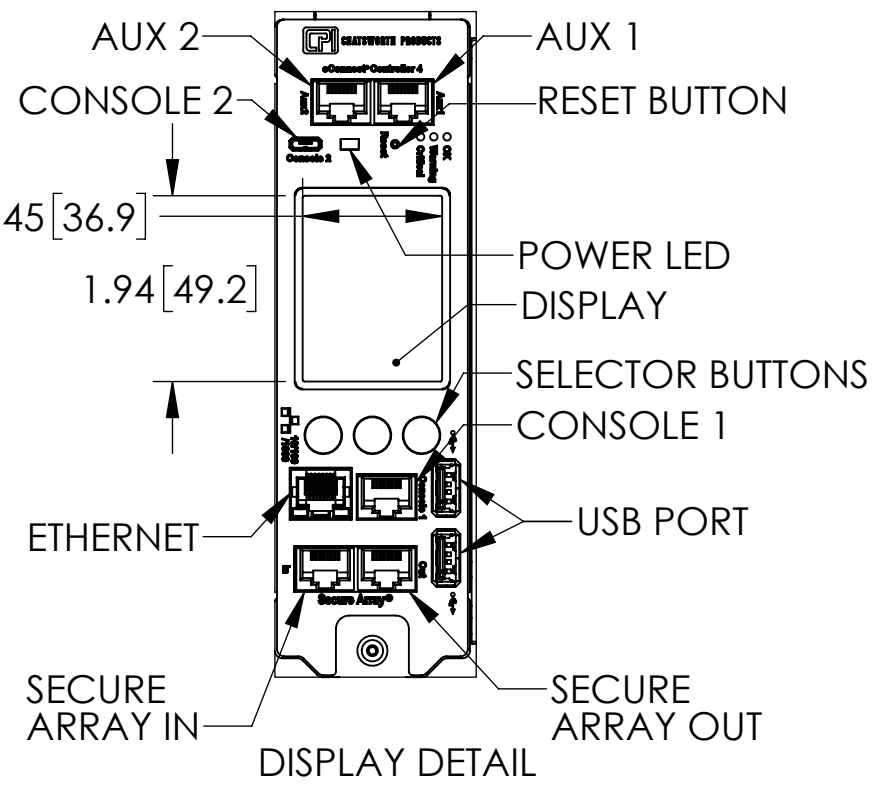
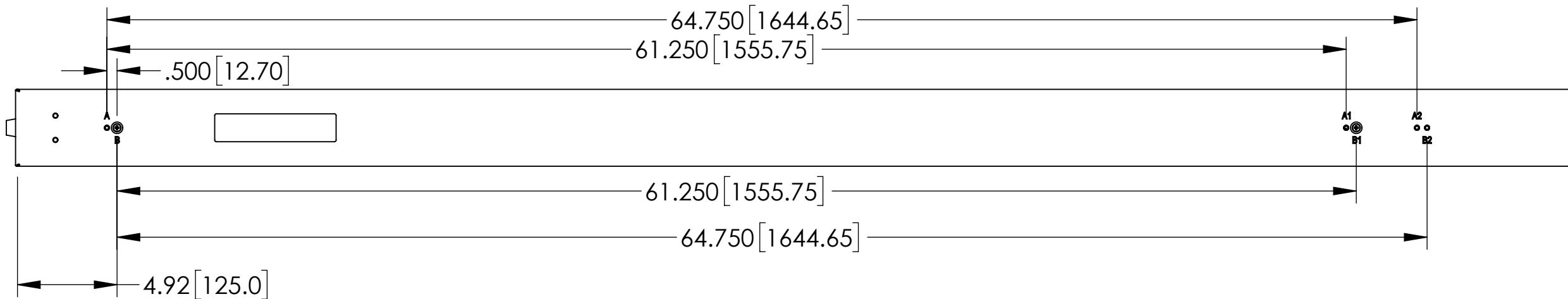


Technical Specs:	
<b>Input Ratings</b>	
Nominal Voltage (VAC)	220-240V/380-415V 3ph
Input Plug / Cord	516P6W/IP67
Current Rating	16A per phase
Power Rating (kW)	11.52
<b>Output Ratings</b>	
Nominal Voltage (VAC)	220-240V
Current Rating	48A
Outlet Rating	C13/C15 10A max, QuadLock 16A max
Max Current per Breaker	N/A
<b>Outlet Combination</b>	
Load Segment	Refer to Simplified Wire Schematic
PDU Total	(24)C13/C15, (24)QuadLock C13/C15/C19/C21
<b>Branch Circuit Protection</b>	
Surge Suppression	(0) No Breaker
<b>Surge Suppression</b>	
None	

**MOUNTING BUTTON**



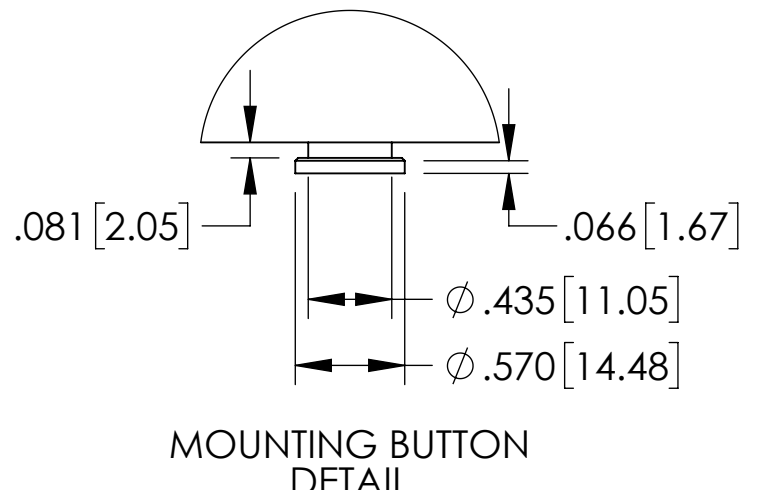
Features:	
Local Display	(1) LCD Display, Branch Monitoring, IP Setup, Alarm Notification, Auto-oriented
Branch Monitoring	Current, Voltage, Power, PF per Circuit
Outlet Monitoring	Current, Voltage, Power, PF per Outlet
Monitoring Accuracy	+/- 1% True RMS
Ethernet Port	10/100/1000 Mbps RJ45
Remote Monitoring	GUI, SNMP v1-3, RESTful API, CLI, Power IQ, Redfish
Remote Control	Not Supported
IP Consolidation	Link 32/48 (with/without electronic locks) PDU's per IP address
USB Ports (2)	Update firmware, Opt'l Temp/Humidity Sensor
Controller Module	Field Replaceable
Auxiliary Port (2)	Optional Sensor Modules, Front & Rear Door Electronic Locks
Cord Retention	Locking Receptacles
Mounting System	Multiple tool-less mounting button locations, A and B

Dimensions & Weights:	
Width (In[mm])	3.8 [96.5]
Height (In[mm])	77.1 [1957.2]
Depth (In[mm])	2.9 [73.0]
Weight (lbs[kg])	35 [15.9]

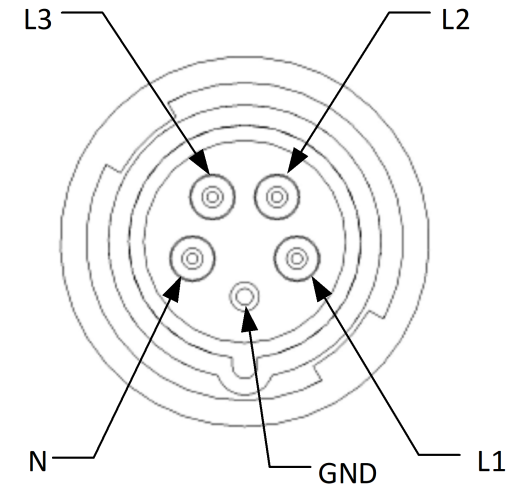
Regulatory Compliance:	
NEBKO Listed to UL/IEC 62368-1, CE, RoHS, FCC Part 15 Class A, EN 55022, TAA	
<b>Regulatory Part Number:</b> Black: K47-0Y610-F12-72A White: K47-0Y610-F12-E2A	

Environmental Conditions:	
Operating Temperature	32°F - 149°F (0°C - 65°C)
Operating Rel Humidity	5 - 95%
Operating Elevation	0-10000ft (0-3000m)
Storage Temperature	-13°F to 149°F (-25°C to 65°C)
Storage Rel Humidity	5 - 95%
Storage Elevation	0-50000ft (0-15000m)

<b>Hardware Included:</b>	(2) tool-less pre-installed mounting buttons (1) ground kit cable
<b>Warranty</b>	3 yrs. Standard, 2 add'l yrs. Opt'l
<b>Optional Accessories:</b>	Electronic Locks & Sensor Options



INPUT PLUG DETAIL  
IEC60309 6H  
16A / 4P5W



- Notes:
- All Dimension are in inches [millimeters] unless otherwise specified
  - Installation must conform with all related national and local codes
  - All Bracket kits are sold separately. Toolless mounting buttons are included for installation in CPI cabinets.
  - For more information, please contact Tech Support at [techsupport@chatsworth.com](mailto:techsupport@chatsworth.com)

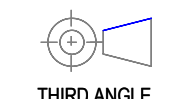
©2023 Chatsworth Products, Inc.  
All rights reserved.



All products quoted are subject to availability based on manufacturing capacity and shipping dates should be considered estimates only.

eConnect Vertical PDU, Monitored Pro, IEC 60309 16A 3P+N+E, 10ft (3m), 220-240/380-415V Three Phase Input, 16A, (24) C13 (24) QuadLock C13/C15/C19/C21 Outlets, 220-240V Output

While every effort has been made to ensure the accuracy of all information, CPI does not accept liability for any errors or omissions and reserves the right to change information and descriptions of listed services and products.



**EA-47F5W-X**

SHEET 1 OF 1

ISS 1