

Technical Specs:	
Input Ratings	
Nominal Voltage (VAC)	220-240V/380-415V/3ph
Input Plug / Cord	563F6W (IP67)
Current Rating	48A
Power Rating (kW)	34.56
Output Ratings	
Nominal Voltage (VAC)	220-240V
Current Rating	144A
Outlet Rating	C13/C15 10A max, QuadLock 16A max
Max Current per Breaker	24A Balanced; 24A Unbalanced
Outlet Combination	
Load Segment	Refer to Simplified Wire Schematic
PDU Total	(30) C13/C15, (12) QuadLock C13/C15/C19/C21
Branch Circuit Protection	
Surge Suppression	(6) 30A, 10kAIC, Single Pole
Surge Suppression	None

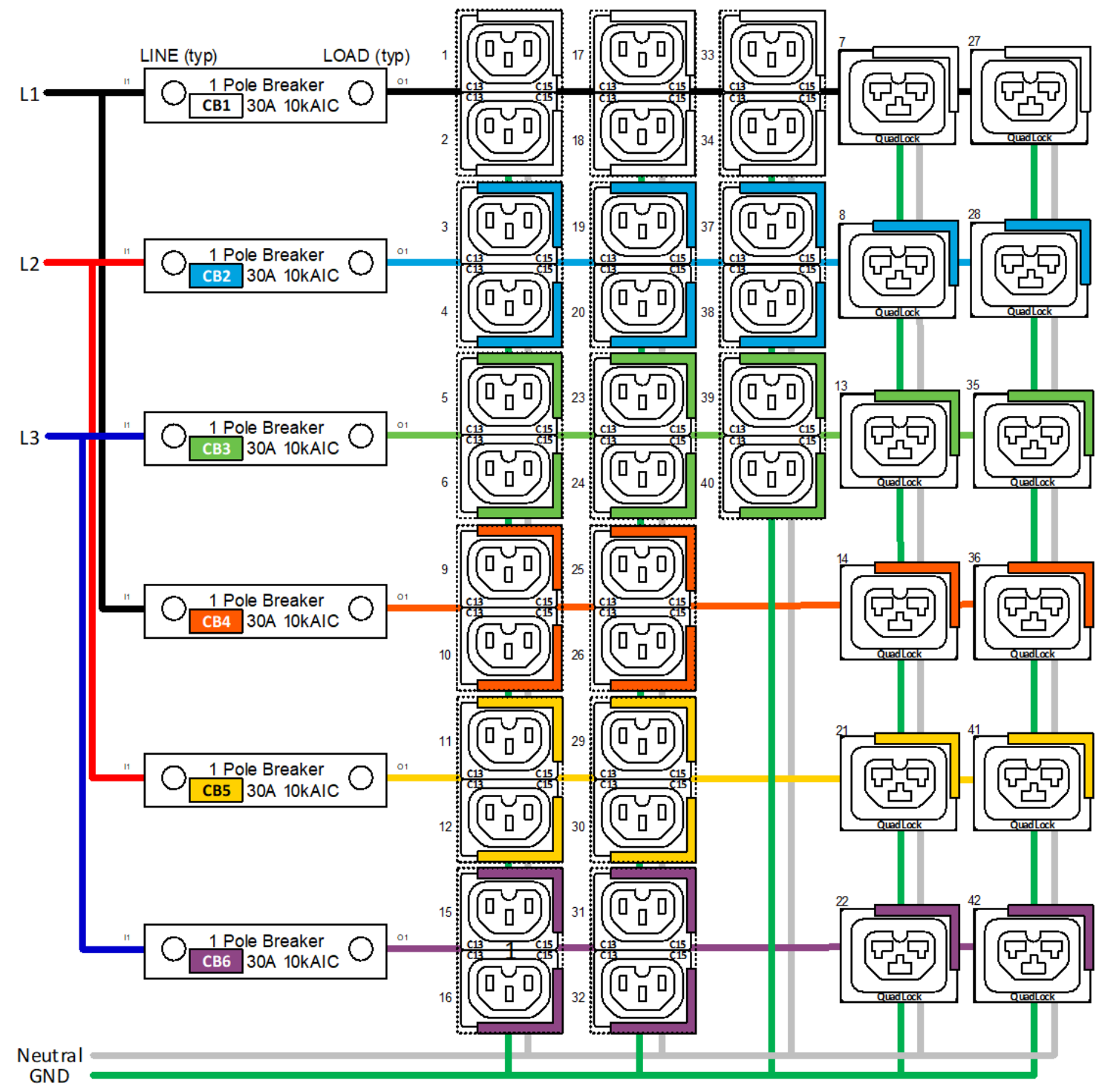
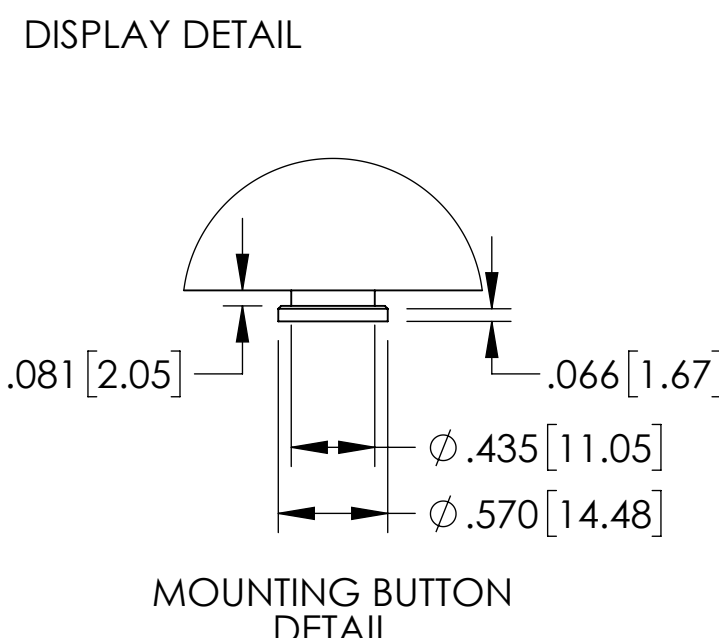
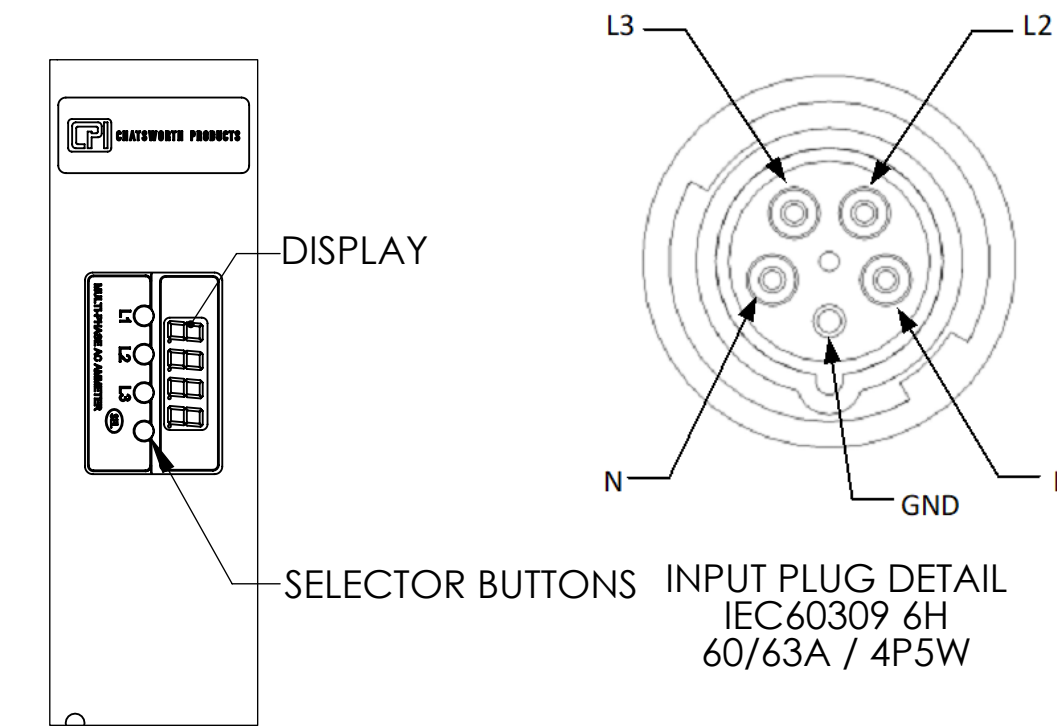
Features:	
Local Display	(1) 4 digit LED Display - Input Current Meter
Branch Monitoring	Not Supported
Outlet Monitoring	Not Supported
Monitoring Accuracy	Not Supported
Ethernet Port	Not Supported
Remote Monitoring	Not Supported
Remote Control	Not Supported
IP Consolidation	Not Supported
USB Ports (2)	Not Supported
Controller Module	Not Supported
Auxiliary Port (2)	Not Supported
Cord Retention	Locking Receptacles
Mounting System	Multiple tool-less mounting button locations, A and B (see detail)

Dimensions & Weights:	
Width (In[mm])	2.2 [55]
Height (In[mm])	71.9 [1825.7]
Depth (In[mm])	2.3 [57.6]
Weight (lbs[kg])	19 [8.6]

Regulatory Compliance:	
NEVMO Listed to UL IEC62368-1, CE, RoHS, FCC Part 15 Class A, EN 55022, TAA	
Regulatory Part Number:	
Black: K20-6Y66B-F14-72A White: K20-6Y66B-F14-E2A	

Environmental Conditions:	
Operating Temperature	32°F to 149°F (0°C to 65°C) below 16A/breaker 32°F to 112°F (0°C to 50°C) 16A/24A/breaker
Operating Rel Humidity	5 - 95%
Operating Elevation	0-10000 ft (0-3000 m)
Storage Temperature	-13°F to 149°F (-25°C to 65°C)
Storage Rel Humidity	5 - 95%
Storage Elevation	0-50000ft (0-15000m)

Hardware Included:	
(2) tool-less pre-installed mounting buttons (1) ground kit cable	
Warranty	
3 yrs. Standard, 2 add'l yrs. Opt'l	
Optional Accessories:	
Not Supported	



- Notes:
- 1 All Dimension are in inches [millimeters] unless otherwise specified
 - 2 Installation must conform with all related national and local codes
 - 3 All Bracket kits are sold separately. Toolless mounting buttons are included for installation in CPI cabinets.
 - 4 For more information, please contact Tech Support at techsupport@chatsworth.com

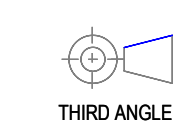
©2019 Chatsworth Products, Inc. All rights reserved.

All products quoted are subject to availability based on manufacturing capacity and shipping dates should be considered estimates only.

While every effort has been made to ensure the accuracy of all information, CPI does not accept liability for any errors or omissions and reserves the right to change information and descriptions of listed services and products.



eConnect Vertical PDU, Metered, IEC 60309 60/63A 3P+N+E, 10ft (3m), 220-240/380-415V Three Phase Input, 60A, (30) C13 (12) QuadLock C13/C15/C19/C21 Outlets, 220-240V Output



E1-2010W-X

SHEET 1 OF 1

ISS