

Technical Specs:	
Input Ratings	
Nominal Voltage (VAC)	120/208V 1ph
Input Plug / Cord	NEVAL14-30P
Current Rating	24A
Power Rating (kW)	4.99
Output Ratings	
Nominal Voltage (VAC)	120/208V
Current Rating	24A
Outlet Rating	C13/C15 10A max, QuadLock 16A max, 5-20 16A max
Max Current per Breaker	12A Balanced; 16A Unbalanced
Outlet Combination	
Load Segment	Refer to Simplified Wire Schematic
PDU Total	(24) C13/C15, (12) QuadLock C13/C15/C19/C21, (6) 5-20
Branch Circuit Protection	
Surge Suppression	(2) 20A, 5kAIC, Double Pole
Surge Suppression	
None	

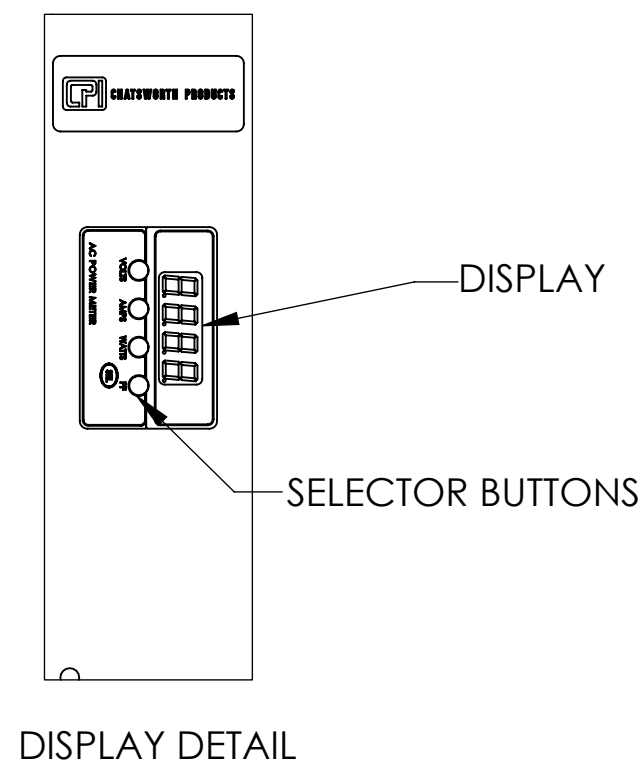
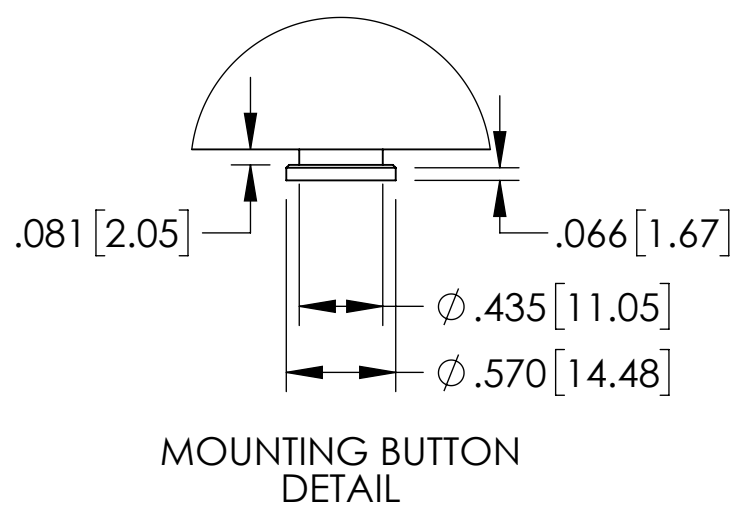
Features:	
Local Display	(1) 4 digit LED Display - Input Current Meter
Branch Monitoring	Not Supported
Outlet Monitoring	Not Supported
Monitoring Accuracy	Not Supported
Ethernet Port	Not Supported
Remote Monitoring	Not Supported
Remote Control	Not Supported
IP Consolidation	Not Supported
USB Ports (2)	Not Supported
Controller Module	Not Supported
Auxiliary Port (2)	Not Supported
Cord Retention	Locking Receptacles
Mounting System	Multiple tool-less mounting button locations, A and B (see detail)

Dimensions & Weights:	
Width (In[mm])	2.2 [55]
Height (In[mm])	71.9 [1825.7]
Depth (In[mm])	2.3 [57.6]
Weight (lbs[kg])	19 [8.6]

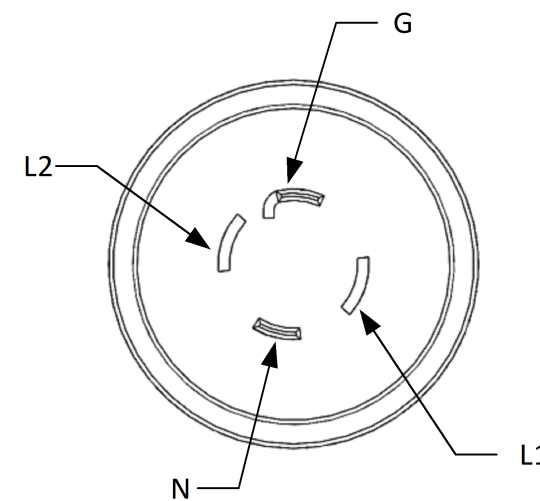
Regulatory Compliance:	
Regulatory Compliance:	NEVKO Listed to UL/IEC62368-1, CE, RoHS, FCC Part 15 Class A, EN 55022, TAA
Regulatory Part Number:	Black: K20-2M116-H1M-72A White: K20-2M116-H1M-E2A

Environmental Conditions:	
Operating Temperature	32°F - 149°F (0°C - 65°C)
Operating Rel Humidity	5 - 95%
Operating Elevation	0-10000 ft (0-3000m)
Storage Temperature	-13°F to 149°F (-25°C to 65°C)
Storage Rel Humidity	5 - 95%
Storage Elevation	0-50000ft (0-15000m)

Hardware Included:	
Hardware Included:	(2) tool-less pre-installed mounting buttons (1) ground kit cable
Warranty	3 yrs. Standard, 2 add'l yrs. Opt'l
Optional Accessories:	Not Supported



INPUT PLUG DETAIL
NEMA L14-30
30A / 3P4W



- Notes:
- 1 All Dimension are in inches [millimeters] unless otherwise specified
 - 2 Installation must conform with all related national and local codes
 - 3 All Bracket kits are sold separately. Toolless mounting buttons are included for installation in CPI cabinets.
 - 4 For more information, please contact Tech Support at techsupport@chatsworth.com

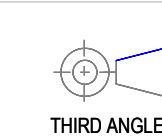
©2019 Chatsworth Products, Inc.
All rights reserved.

All products quoted are subject to availability based on manufacturing capacity and shipping dates should be considered estimates only.

While every effort has been made to ensure the accuracy of all information, CPI does not accept liability for any errors or omissions and reserves the right to change information and descriptions of listed services and products.



eConnect Vertical PDU, Metered,
L14-30, 10ft (3m),
120/208V Three Phase Input, MIXED, 30A,
(24) C13 (12) QuadLock C13/C15/C19/C21 (6) 5-20
Outlets, 120/208V Output



E1-2098W-X ISS

SHEET 1 OF 1