

# Installation Instructions

## VersaEdge™ Wall-Mount Cabinet Swinghandle Latch Kit

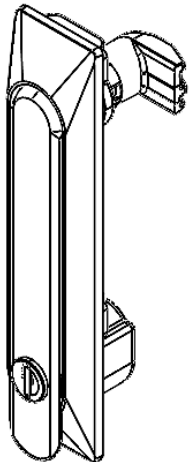
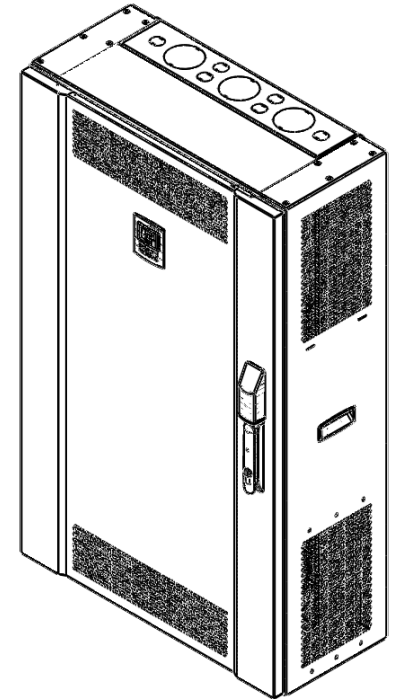
### Installation Instruction Table of Contents

#### Page 2:

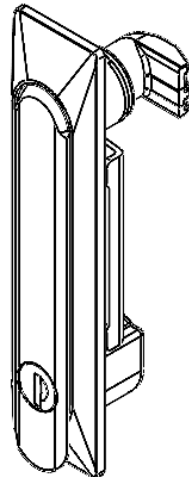
- Swinghandle Latch (43030-710)
- Swinghandle Latch, Swappable Core (43030-720)
- Swinghandle Latch, Combination Lock (43030-730)

#### Page 3+:

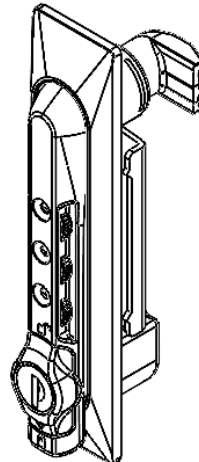
- Swinghandle Latch, 12V EAC (43030-760)
- Swinghandle Latch, 12V EAC, SSI (43030-770)



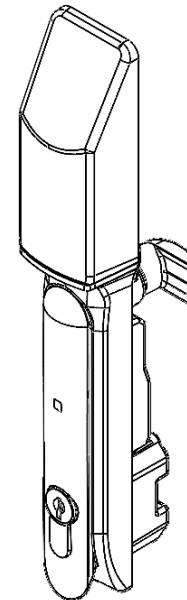
43030-710



43030-720



43030-730

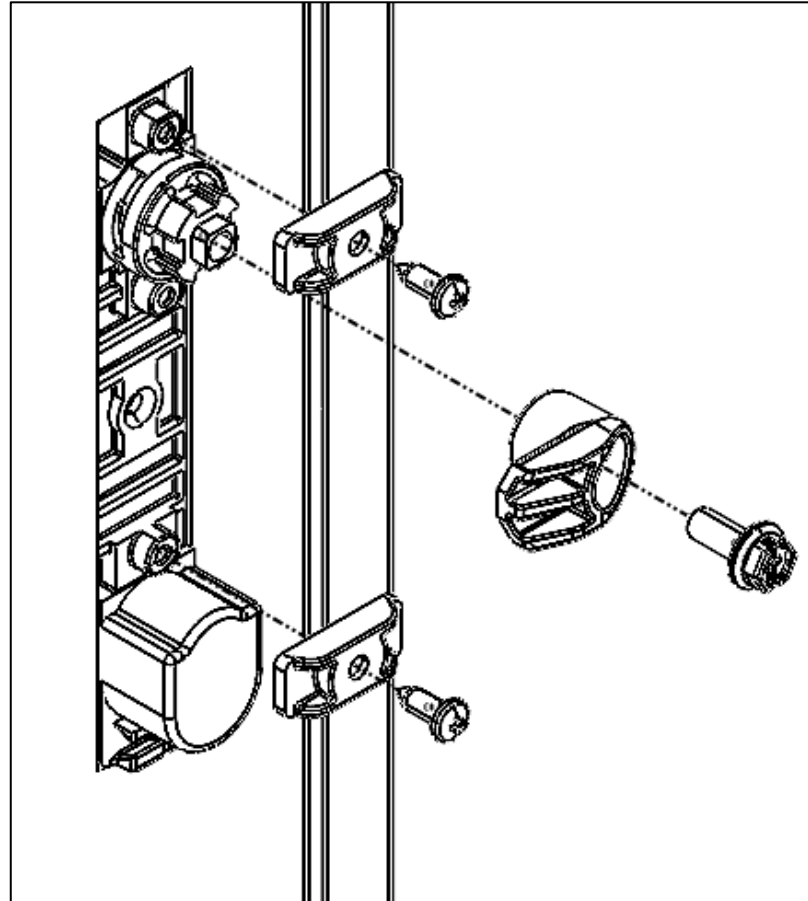


43030-760  
43030-770

# Installation Instructions

## VersaEdge™ Wall-Mount Cabinet Swinghandle Latch Kit

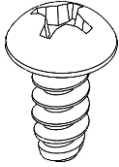
Install the Swinghandle Latch using  
the included molded plastic parts  
and screws shown below



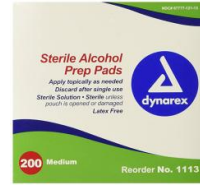
# Installation Instructions

## VersaEdge™ Wall-Mount Cabinet Swinghandle Latch Kit – Electronic Lock

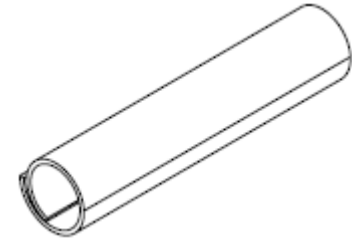
### PARTS LIST - HARDWARE



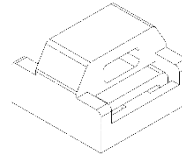
**#4 TAPTITE SCREW**  
QTY(4)



**ALCOHOL WIPE**

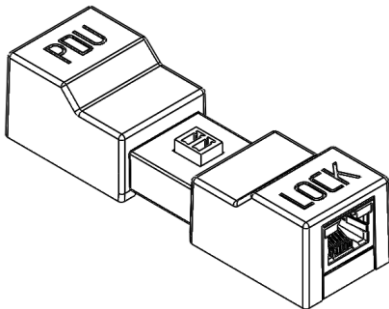


**BRAIDED CABLE WRAP SLEEVE**  
QTY(1)

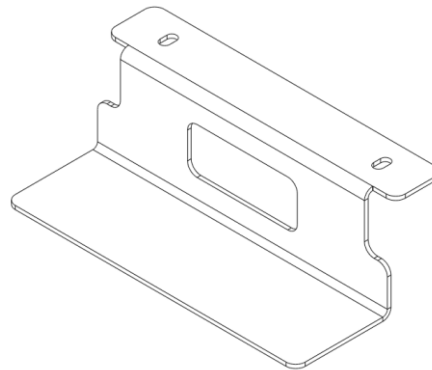


**MAGNET CABLE TIE  
MOUNT**

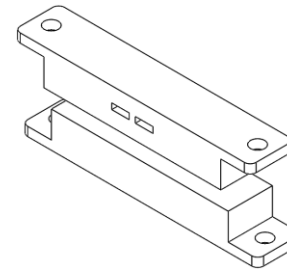
CABLE TIES ALSO INCLUDED BUT NOT PICTURED



**CAN BUS MODULE**  
QTY(1)

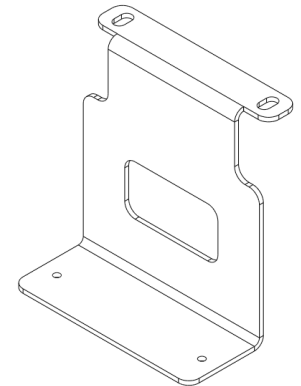


**CAN BUS BRACKET**  
QTY(1)



**SENSOR KIT**  
QTY(1)

ALSO INCLUDED BUT NOT PICTURED:  
QTY(4) #2 SCREWS  
QTY(1) SENSOR WIRE

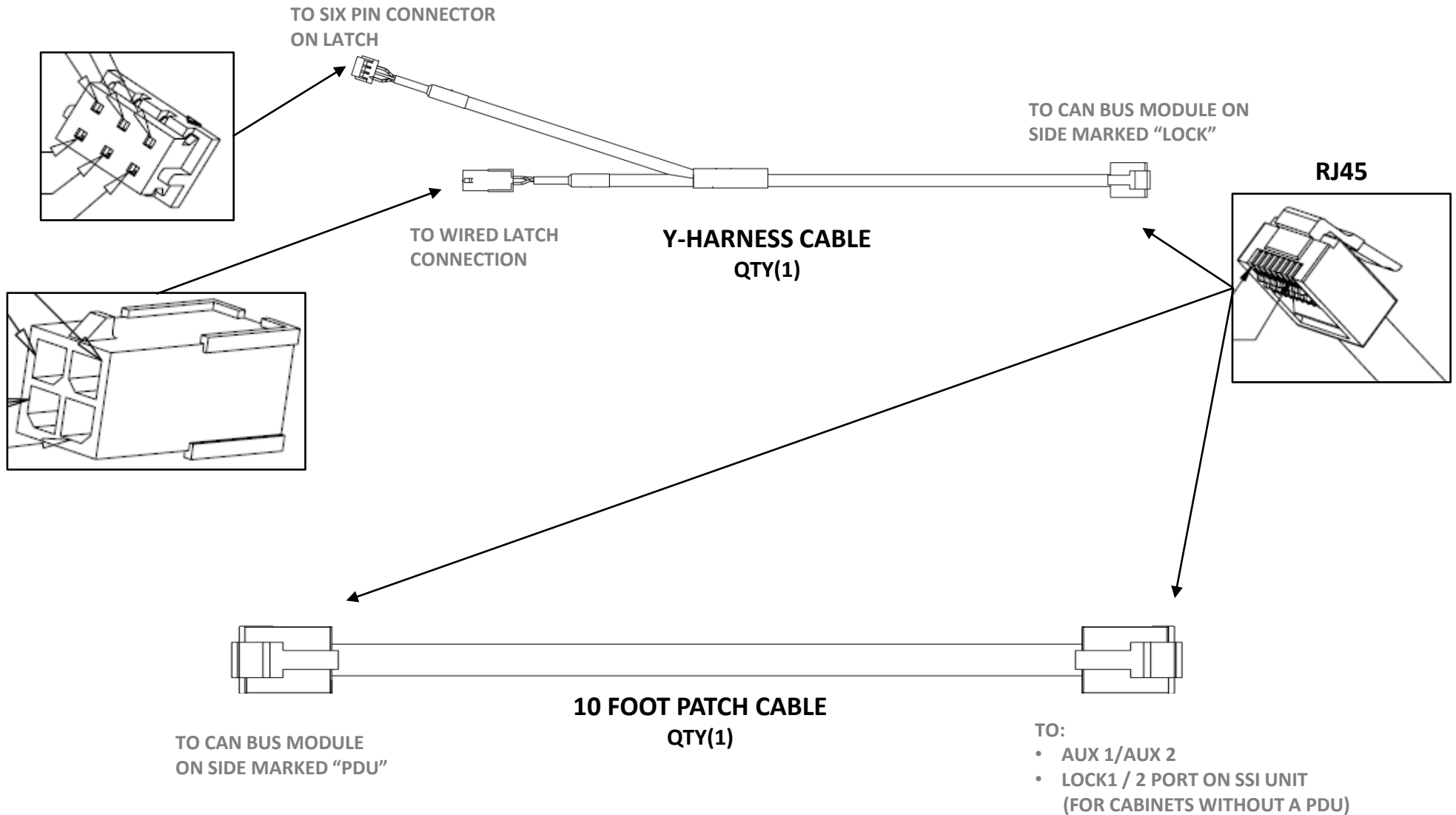


**SENSOR BRACKET**  
QTY(1)

# Installation Instructions

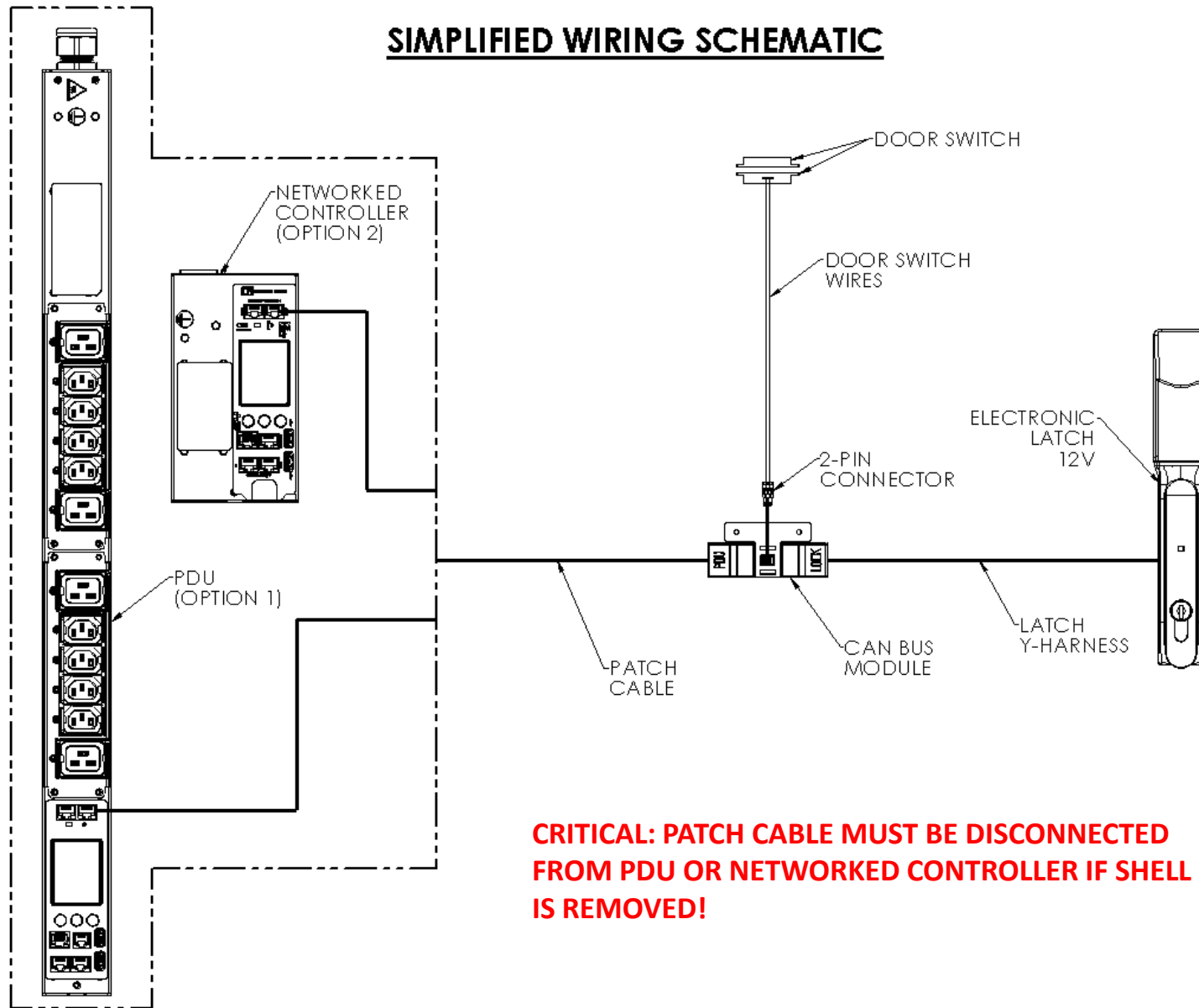
## VersaEdge™ Wall-Mount Cabinet Swinghandle Latch Kit – Electronic Lock

### PARTS LIST - WIRING



# Installation Instructions

## VersaEdge™ Wall-Mount Cabinet Swinghandle Latch Kit – Electronic Lock

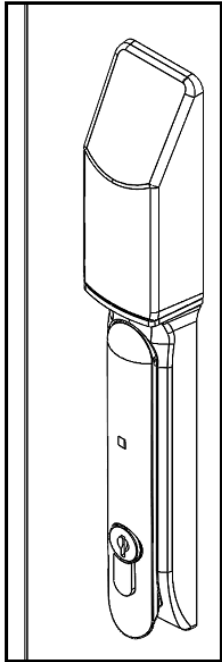


# Installation Instructions

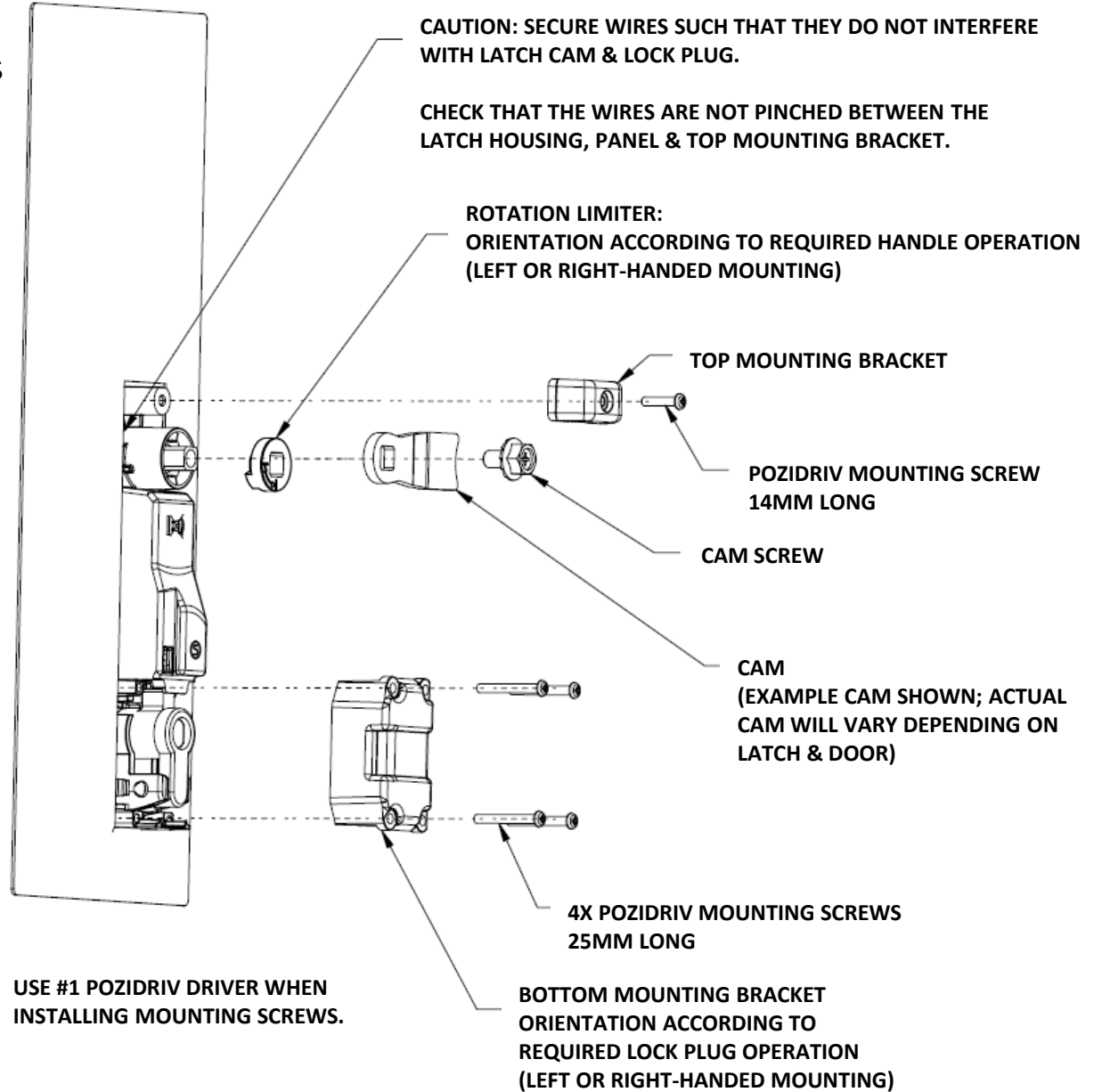
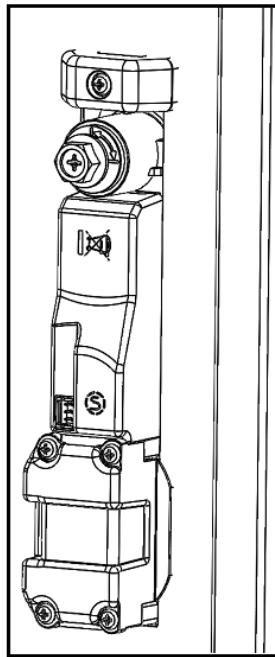
## VersaEdge™ Wall-Mount Cabinet Swinghandle Latch Kit – Electronic Lock

1. **INSTALL LATCH**
2. INSTALL SENSOR BRACKET & CAN BUS BRACKET
3. INSTALL DOOR SENSOR, SHELL SENSOR & CAN BUS MODULE
4. WIRE FROM CAN BUS MODULE TO PDU
5. WIRE SENSORS TO CAN BUS
6. WIRE CAN BUS MODULE TO LATCH

OUTSIDE  
VIEW



INSIDE  
VIEW



# Installation Instructions

## VersaEdge™ Wall-Mount Cabinet Swinghandle Latch Kit – Electronic Lock

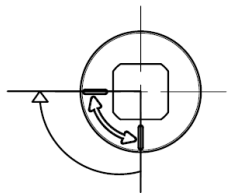
1. **INSTALL LATCH**
2. INSTALL SENSOR BRACKET & CAN BUS BRACKET
3. INSTALL DOOR SENSOR, SHELL SENSOR & CAN BUS MODULE
4. WIRE FROM CAN BUS MODULE TO PDU
5. WIRE SENSORS TO CAN BUS
6. WIRE CAN BUS MODULE TO LATCH

### FOR INSTALLATION OF ROTATION LIMITER

- VIEWED FROM BACK -

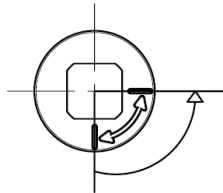
#### STANDARD CONFIGURATION

##### OPTION 1



**LEFT-HAND MOUNTING**  
TO OPEN: TURN HANDLE 90°  
COUNTER-CLOCKWISE IF VIEWED  
FROM FRONT

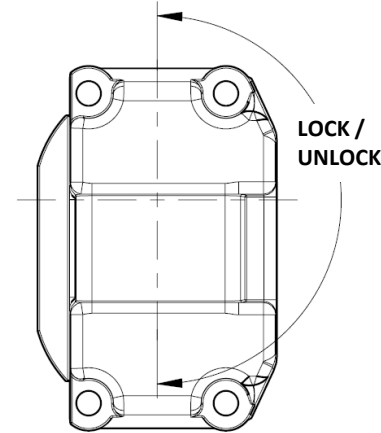
##### OPTION 2



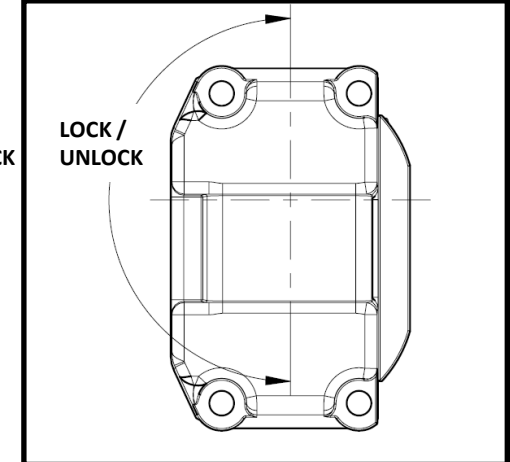
**RIGHT-HAND MOUNTING**  
TO OPEN: TURN HANDLE 90°  
CLOCKWISE IF VIEWED FROM  
FRONT

### FOR INSTALLATION OF BOTTOM MOUNTING BRACKET

#### STANDARD CONFIGURATION



LEFT-HAND MOUNT



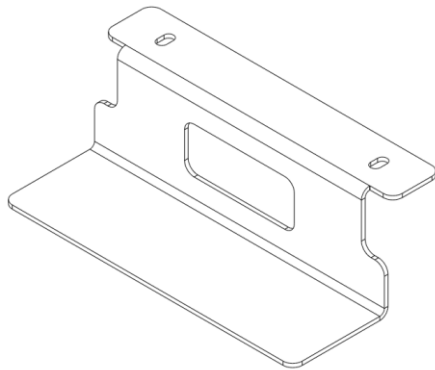
RIGHT-HAND MOUNT

OPERATION OF LOCK PLUG CORRESPONDS WITH  
ORIENTATION OF BOTTOM MOUNTING BRACKET

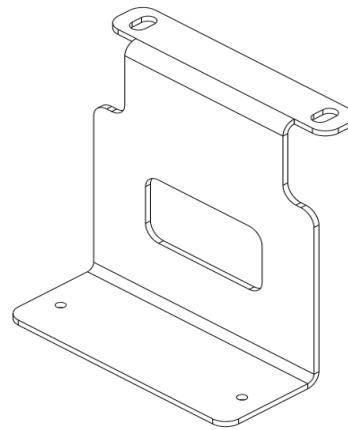
# Installation Instructions

## VersaEdge™ Wall-Mount Cabinet Swinghandle Latch Kit – Electronic Lock

1. INSTALL LATCH
- 2. INSTALL SENSOR BRACKET & CAN BUS BRACKET**
3. INSTALL DOOR SENSOR, SHELL SENSOR & CAN BUS MODULE
4. WIRE FROM CAN BUS MODULE TO PDU
5. WIRE SENSORS TO CAN BUS
6. WIRE CAN BUS MODULE TO LATCH



**CAN BUS BRACKET**  
QTY(1)



**SENSOR BRACKET**  
QTY(1)



**#4 TAPTITE SCREW**  
QTY(4)

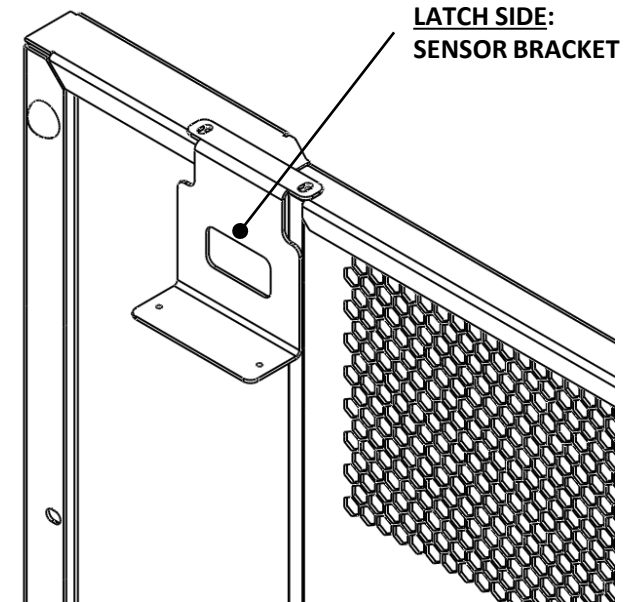
# Installation Instructions

## VersaEdge™ Wall-Mount Cabinet Swinghandle Latch Kit – Electronic Lock

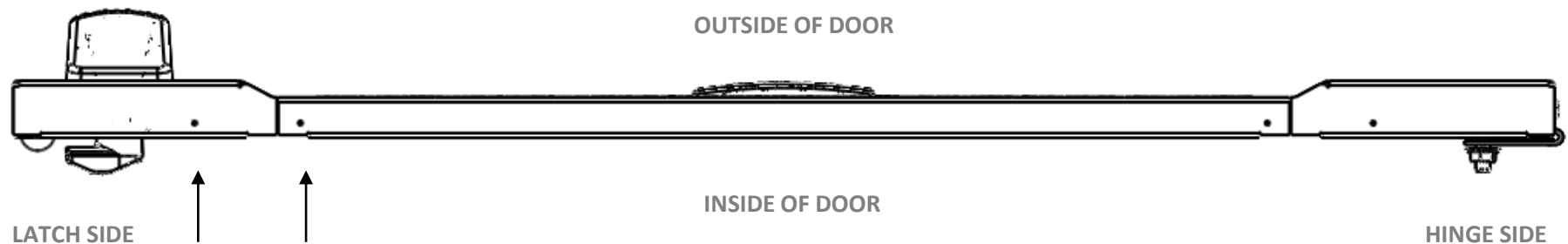
1. INSTALL LATCH
2. **INSTALL SENSOR BRACKET & CAN BUS BRACKET**
3. INSTALL DOOR SENSOR, SHELL SENSOR & CAN BUS MODULE
4. WIRE FROM CAN BUS MODULE TO PDU
5. WIRE SENSORS TO CAN BUS
6. WIRE CAN BUS MODULE TO LATCH



#4 TAPTITE SCREW  
2X PER BRACKET



2A. TOP VIEW OF DOOR. LOCATE THE CORRECT MOUNTING HOLES FOR THE SENSOR BRACKET ON LATCH SIDE OF DOOR



# Installation Instructions

## VersaEdge™ Wall-Mount Cabinet Swinghandle Latch Kit – Electronic Lock

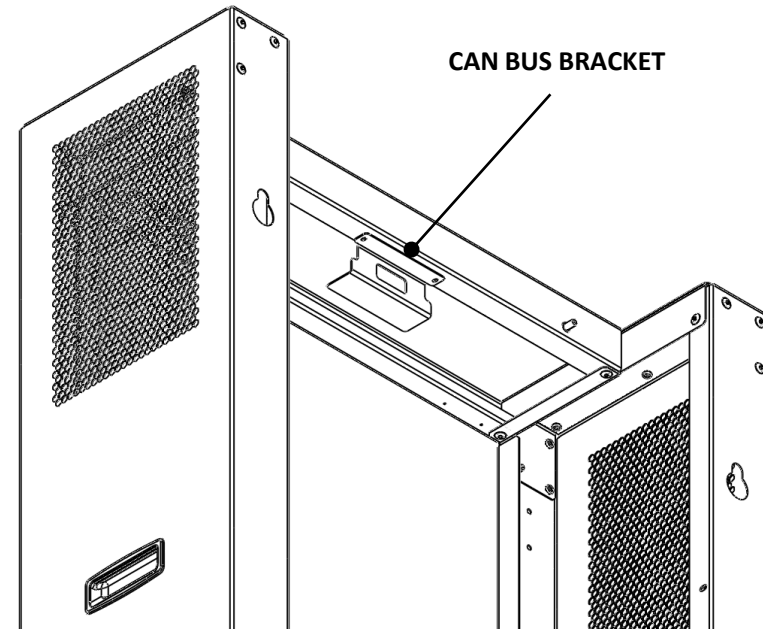
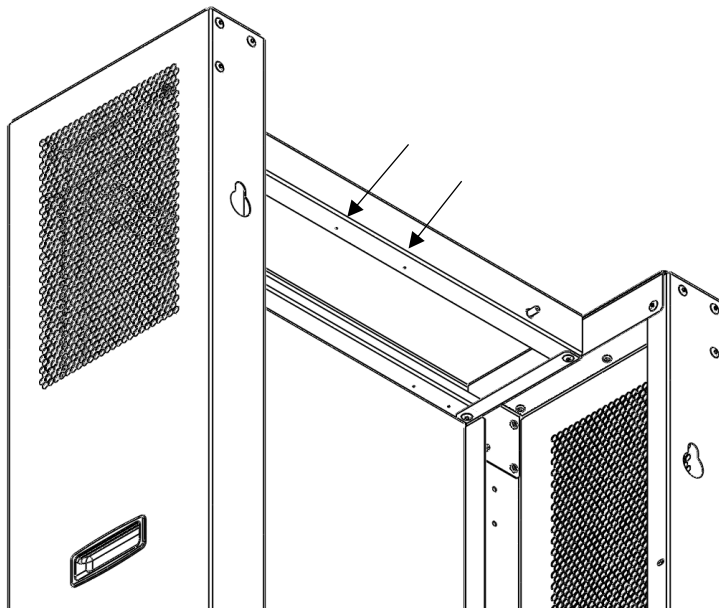
1. INSTALL LATCH
2. **INSTALL SENSOR BRACKET & CAN BUS BRACKET**
3. INSTALL DOOR SENSOR, SHELL SENSOR & CAN BUS MODULE
4. WIRE FROM CAN BUS MODULE TO PDU
5. WIRE SENSORS TO CAN BUS
6. WIRE CAN BUS MODULE TO LATCH



**#4 TAPTITE SCREW  
2X PER BRACKET**

**2B. REAR VIEW OF SHELL. LOCATE THE CORRECT MOUNTING HOLES FOR THE CAN BUS BRACKET ON UNDERSIDE OF TOP PANEL.**

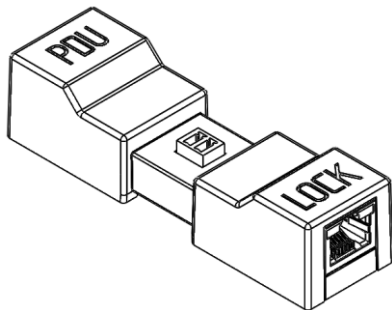
**NOTE: ADDITIONAL CAN BUS MOUNTING LOCATION ON BOTTOM PANEL.**



# Installation Instructions

## VersaEdge™ Wall-Mount Cabinet Swinghandle Latch Kit – Electronic Lock

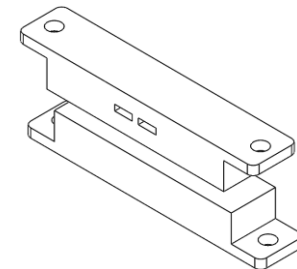
1. INSTALL LATCH
2. INSTALL SENSOR BRACKET & CAN BUS BRACKET
- 3. INSTALL DOOR SENSOR, FRAME SENSOR & CAN BUS MODULE**
4. WIRE FROM CAN BUS MODULE TO PDU
5. WIRE SENSORS TO CAN BUS
6. WIRE CAN BUS MODULE TO LATCH



**CAN BUS MODULE**  
QTY(1)



**ALCOHOL WIPE**



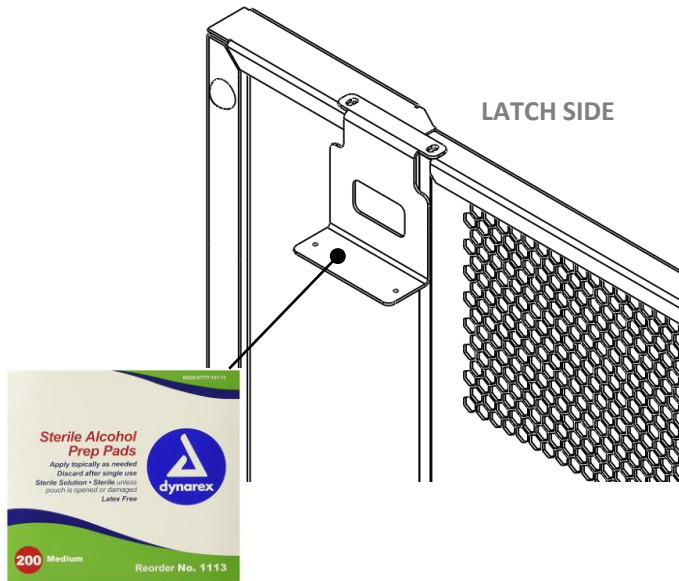
**SENSOR KIT**  
QTY(1)  
**ALSO INCLUDED BUT NOT PICTURED:**  
QTY(4) #2 SCREWS  
QTY(1) SENSOR WIRE

# Installation Instructions

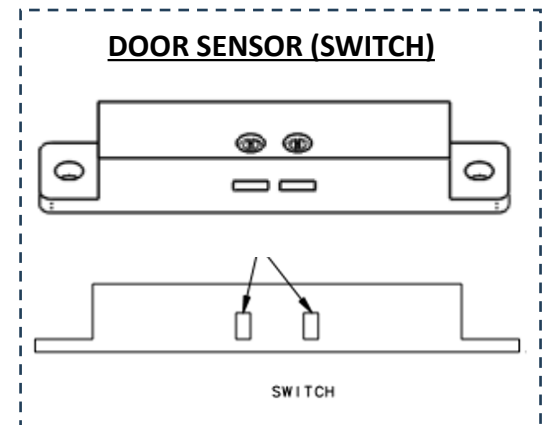
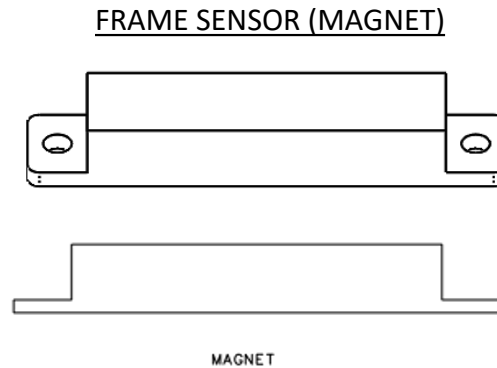
## VersaEdge™ Wall-Mount Cabinet Swinghandle Latch Kit – Electronic Lock

1. INSTALL LATCH
2. INSTALL SENSOR BRACKET & CAN BUS BRACKET
3. **INSTALL DOOR SENSOR, FRAME SENSOR & CAN BUS MODULE**
4. WIRE FROM CAN BUS MODULE TO PDU
5. WIRE SENSORS TO CAN BUS
6. WIRE CAN BUS MODULE TO LATCH

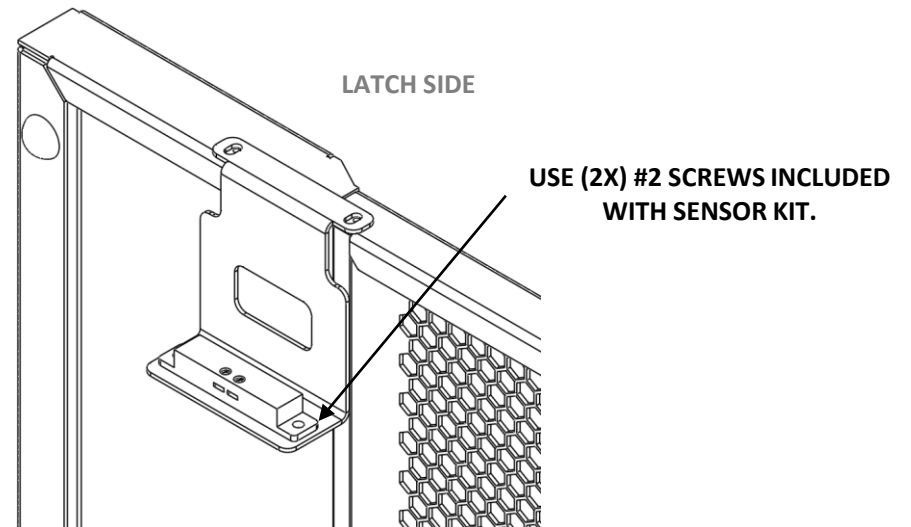
**3A. WIPE DOWN SENSOR BRACKET SURFACE WITH ALCOHOL WIPE.**



**3B. REMOVE ADHESIVE BACKING FROM THE DOOR SENSOR (SWITCH).**



**3C. INSTALL DOOR SENSOR ONTO SENSOR BRACKET WITH TERMINALS FACING OUT.**



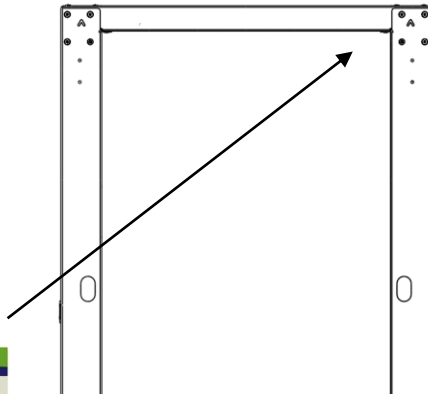
# Installation Instructions

## VersaEdge™ Wall-Mount Cabinet Swinghandle Latch Kit – Electronic Lock

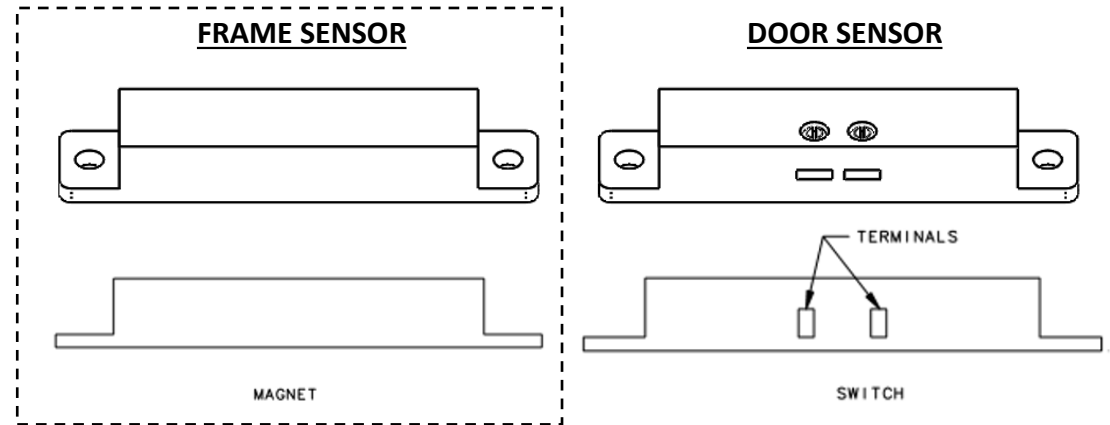
1. INSTALL LATCH
2. INSTALL SENSOR & CAN BUS BRACKET
3. **INSTALL DOOR SENSOR, FRAME SENSOR & CAN BUS MODULE**
4. WIRE FROM CAN BUS MODULE TO PDU
5. WIRE SENSORS TO CAN BUS
6. WIRE CAN BUS MODULE TO LATCH

**3D. FRONT VIEW OF SHELL. LOCATE THE CORRECT MOUNTING HOLES FOR THE FRAME SENSOR ON UNDERSIDE OF TOP PANEL. PREP SURFACE WITH ALCOHOL WIPE.**

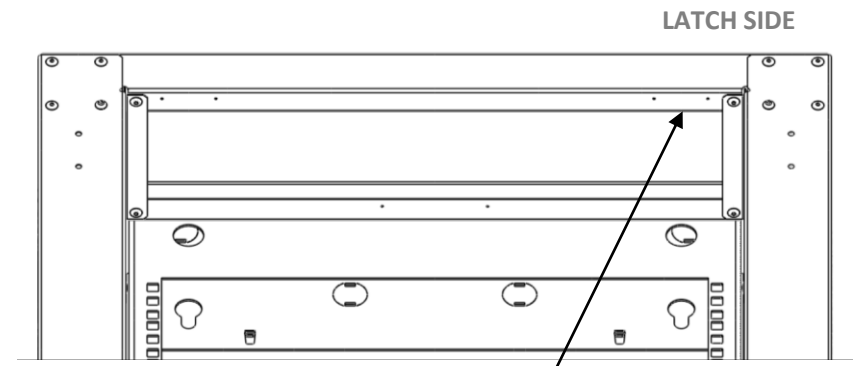
HINGE SIDE                      LATCH SIDE



**3E. REMOVE ADHESIVE BACKING FROM THE CORRECT SENSOR.**



**3F. INSTALL THE MAGNET SENSOR ON THE LATCH SIDE ON UNDERSIDE OF TOP PANEL.**



**USE (2X) #2 SCREWS INCLUDED WITH SENSOR KIT.**

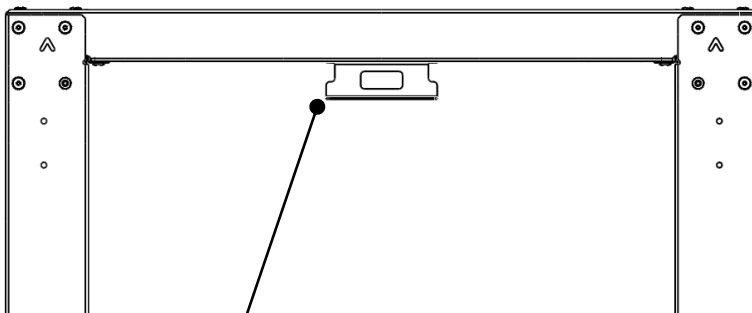
# Installation Instructions

## VersaEdge™ Wall-Mount Cabinet Swinghandle Latch Kit – Electronic Lock

1. INSTALL LATCH
2. INSTALL SENSOR BRACKET & CAN BUS BRACKET
- 3. INSTALL DOOR SENSOR, FRAME SENSOR & CAN BUS MODULE**
4. WIRE FROM CAN BUS MODULE TO PDU
5. WIRE SENSORS TO CAN BUS
6. WIRE CAN BUS MODULE TO LATCH

**3G. WIPE DOWN CAN BUS BRACKET SURFACE WITH ALCOHOL WIPE.**

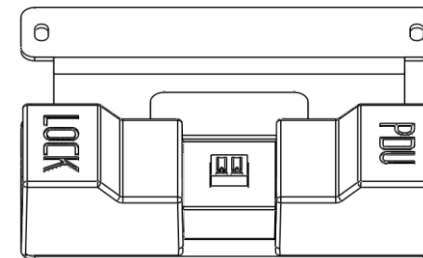
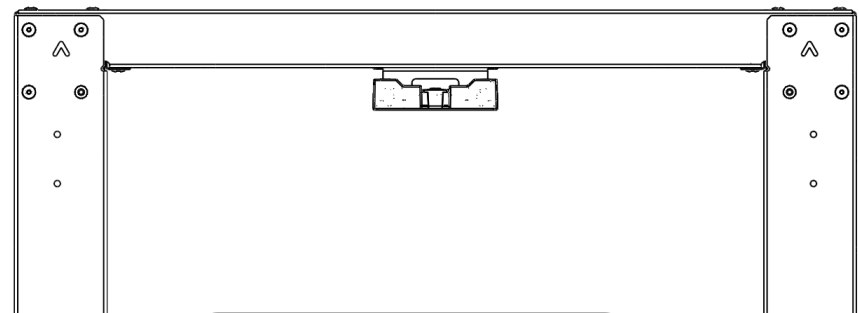
FRONT VIEW



**3H. REMOVE ADHESIVE BACKING FROM CAN BUS MODULE & INSTALL ON TO BRACKET AS SHOWN.**

HINGE SIDE

LATCH SIDE

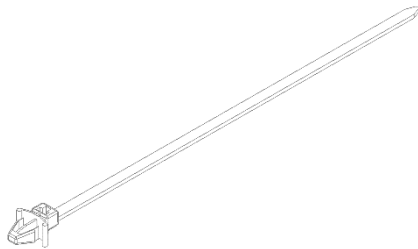


**NOTE: SIDE LABELED "LOCK" IS ORIENTED TOWARD THE HINGES & THE SIDE LABELED "PDU" IS ORIENTED TOWARD THE LATCH.**

# Installation Instructions

## VersaEdge™ Wall-Mount Cabinet Swinghandle Latch Kit – Electronic Lock

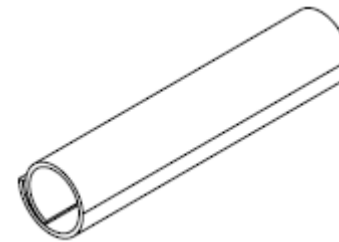
1. INSTALL LATCH
2. INSTALL SENSOR BRACKET & CAN BUS BRACKET
3. INSTALL DOOR SENSOR, FRAME SENSOR & CAN BUS MODULE
- 4. WIRE FROM CAN BUS MODULE TO PDU**
5. WIRE SENSORS TO CAN BUS
6. WIRE CAN BUS MODULE TO LATCH



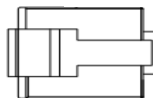
**PUSH MOUNT CABLE TIE**



**ALCOHOL WIPE**

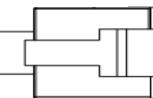


**BRAIDED CABLE WRAP SLEEVE  
QTY(1)**

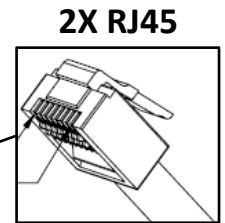


**TO CAN BUS MODULE  
ON SIDE MARKED "PDU"**

**10 FOOT PATCH CABLE  
QTY(1)**



- TO:**
- AUX 1 ON PDU FOR REAR LATCH
  - AUX 2 ON PDU FOR FRONT LATCH
- OR:**
- LOCK1 / 2 PORT ON SSI UNIT



**2X RJ45**

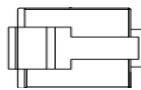
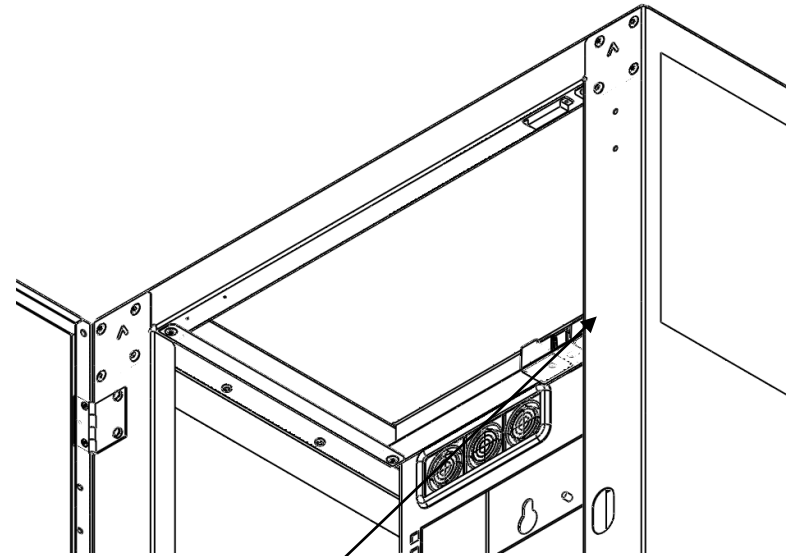
# Installation Instructions

## VersaEdge™ Wall-Mount Cabinet Swinghandle Latch Kit – Electronic Lock

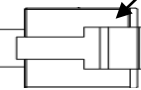
1. INSTALL LATCH
2. INSTALL SENSOR BRACKET & CAN BUS BRACKET
3. INSTALL DOOR SENSOR, FRAME SENSOR & CAN BUS MODULE
- 4. WIRE FROM CAN BUS MODULE TO PDU**
5. WIRE SENSORS TO CAN BUS
6. WIRE CAN BUS MODULE TO LATCH

**4A. PLUG PATCH CABLE INTO THE CAB BUS MODULE ON THE SIDE LABELED “PDU”.**

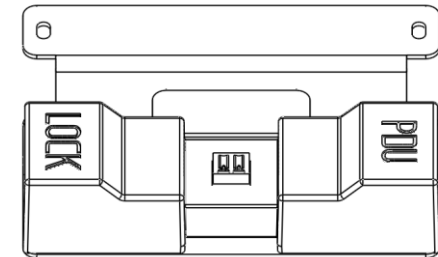
**CABLE CAN BE ROUTED THROUGH REAR CHASSIS GROMMET TO PDU.**



**10 FOOT PATCH CABLE**



**TO CAN BUS MODULE  
ON SIDE MARKED “PDU”**



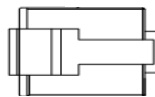
# Installation Instructions

## VersaEdge™ Wall-Mount Cabinet Swinghandle Latch Kit – Electronic Lock

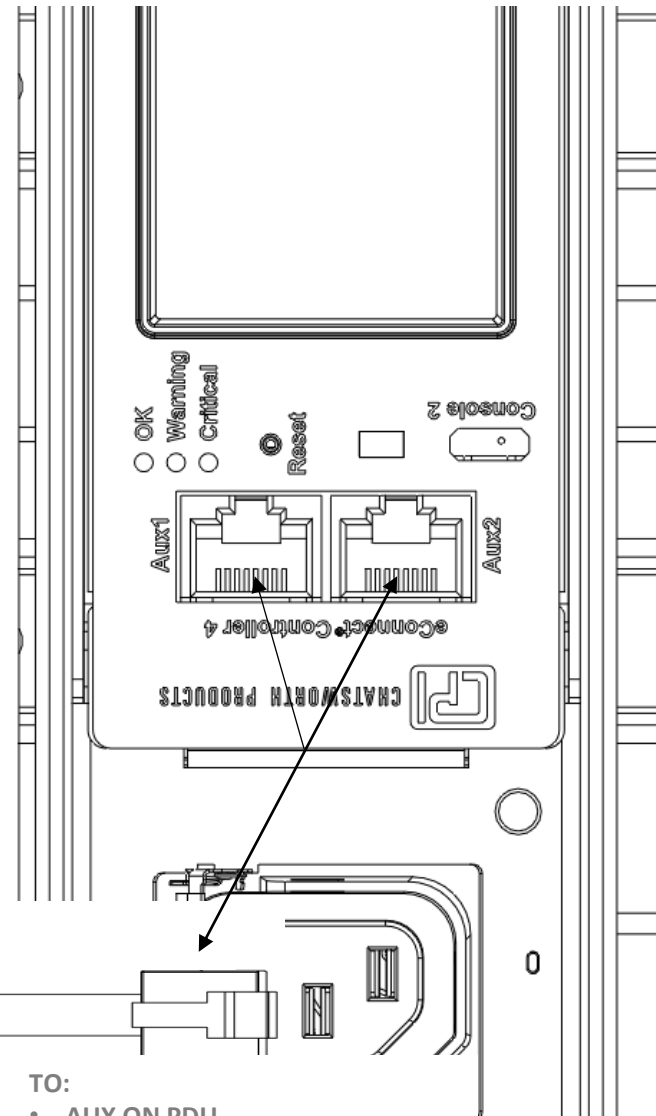
1. INSTALL LATCH
2. INSTALL SENSOR BRACKET & CAN BUS BRACKET
3. INSTALL DOOR SENSOR, FRAME SENSOR & CAN BUS MODULE
- 4. WIRE FROM CAN BUS MODULE TO PDU**
5. WIRE SENSORS TO CAN BUS
6. WIRE CAN BUS MODULE TO LATCH

**4E. LOOP ANY EXCESS WIRING AND ZIP TIE IT NEAR THE AUX PORT ON THE PDU / RFID CONTROLLER.**

**4F. PLUG THE PATCH CABLE INTO THE APPROPRIATE AUXILIARY PORT.**



TO CAN BUS MODULE  
ON SIDE MARKED "PDU"



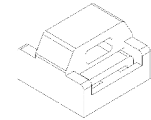
- TO:
- AUX ON PDU
- OR:
- LOCK1 / 2 PORT ON SSI UNIT

# Installation Instructions

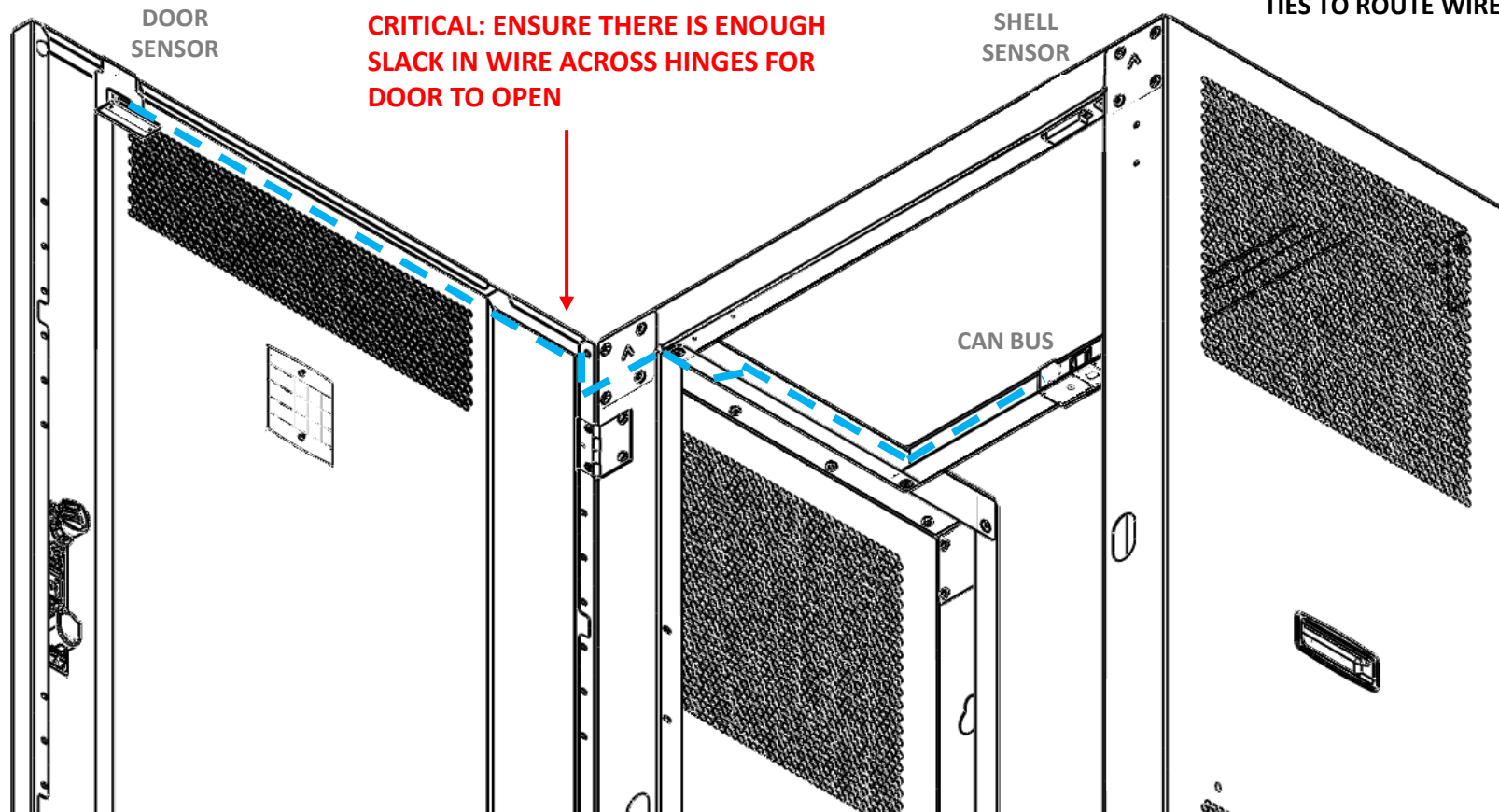
## VersaEdge™ Wall-Mount Cabinet Swinghandle Latch Kit – Electronic Lock

1. INSTALL LATCH
2. INSTALL SENSOR BRACKET & CAN BUS BRACKET
3. INSTALL DOOR SENSOR, FRAME SENSOR & CAN BUS MODULE
4. WIRE FROM CAN BUS MODULE TO PDU
- 5. WIRE SENSORS TO CAN BUS**
6. WIRE CAN BUS MODULE TO LATCH

**5. USE THE SENSOR WIRE THAT IS INCLUDED WITH THE SENSOR KIT. WIRES WILL BE ROUTED ALONG TOP OF DOOR AS SHOWN (SEE STEP 6 BEFORE SECURING CABLE TIES).**



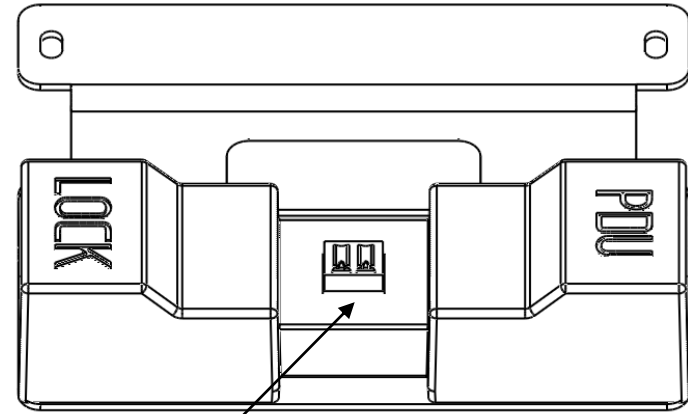
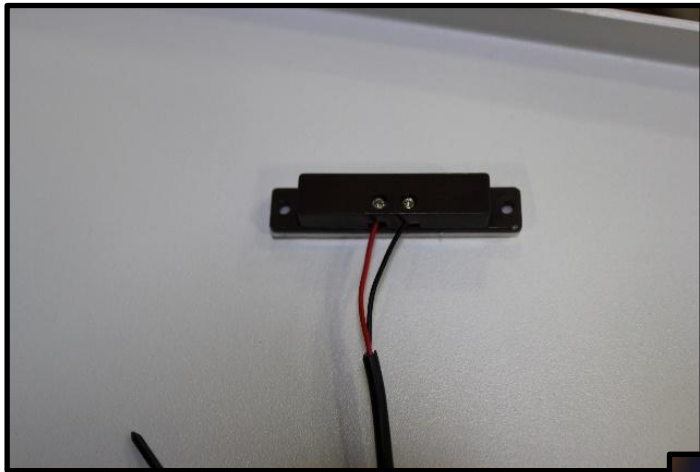
**USE MAGNET CABLE TIE MOUNT & CABLE TIES TO ROUTE WIRES**



# Installation Instructions

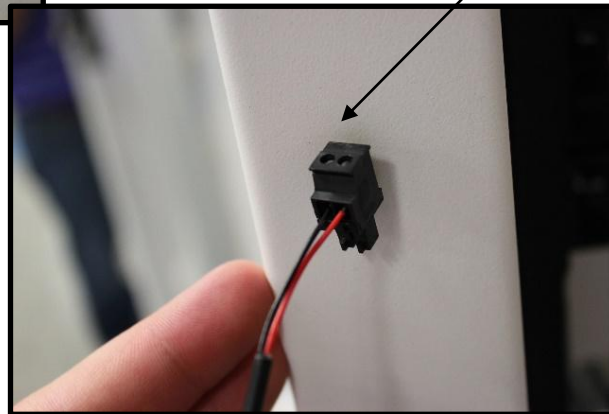
## VersaEdge™ Wall-Mount Cabinet Swinghandle Latch Kit – Electronic Lock

1. INSTALL LATCH
2. INSTALL SENSOR & CAN BUS BRACKETS
3. INSTALL DOOR SENSOR, FRAME SENSOR & CAN BUS MODULE
4. WIRE FROM CAN BUS MODULE TO PDU
5. **WIRE SENSORS TO CAN BUS**
6. WIRE CAN BUS MODULE TO LATCH



**5B. CAREFULLY MEASURE, TRIM AND STRIP WIRE TO REMOVE EXCESS WIRE LENGTH.**

**INSERT WIRES INTO SENSOR SWITCH AND SECURE BY TIGHTENING THE SCREWS.**

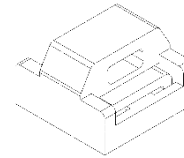


**5A. PLUG SENSOR WIRE INTO CAN BUS MODULE.**

# Installation Instructions

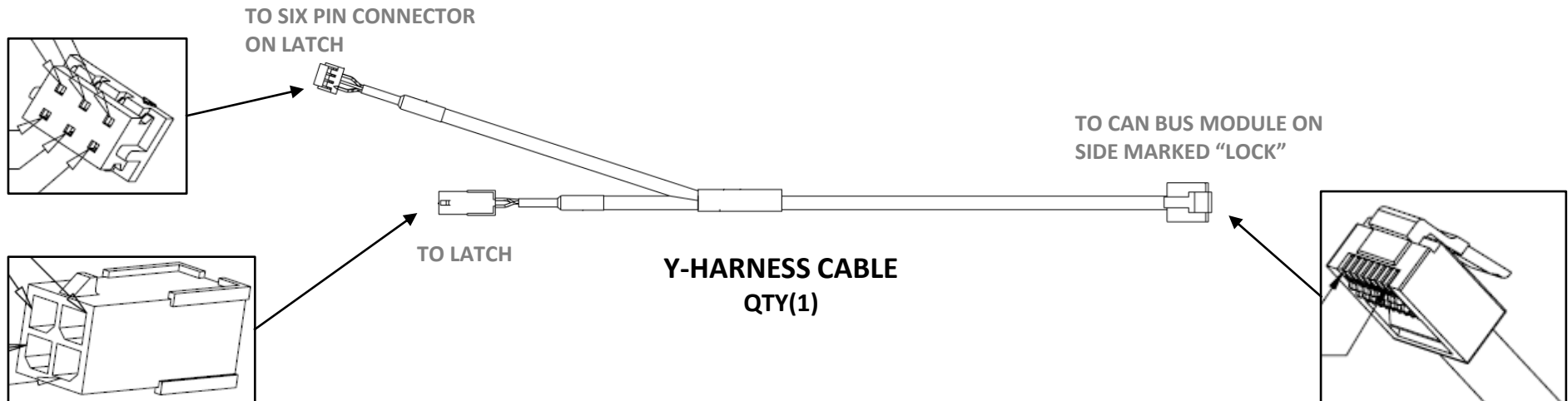
## VersaEdge™ Wall-Mount Cabinet Swinghandle Latch Kit – Electronic Lock

1. INSTALL LATCH
2. INSTALL SENSOR & CAN BUS BRACKETS
3. INSTALL DOOR SENSOR, FRAME SENSOR & CAN BUS MODULE
4. WIRE FROM CAN BUS MODULE TO PDU
5. WIRE SENSORS TO CAN BUS
6. **WIRE CAN BUS MODULE TO LATCH**



### MAGNET CABLE TIE MOUNT

CABLE TIES ALSO INCLUDED BUT NOT PICTURED

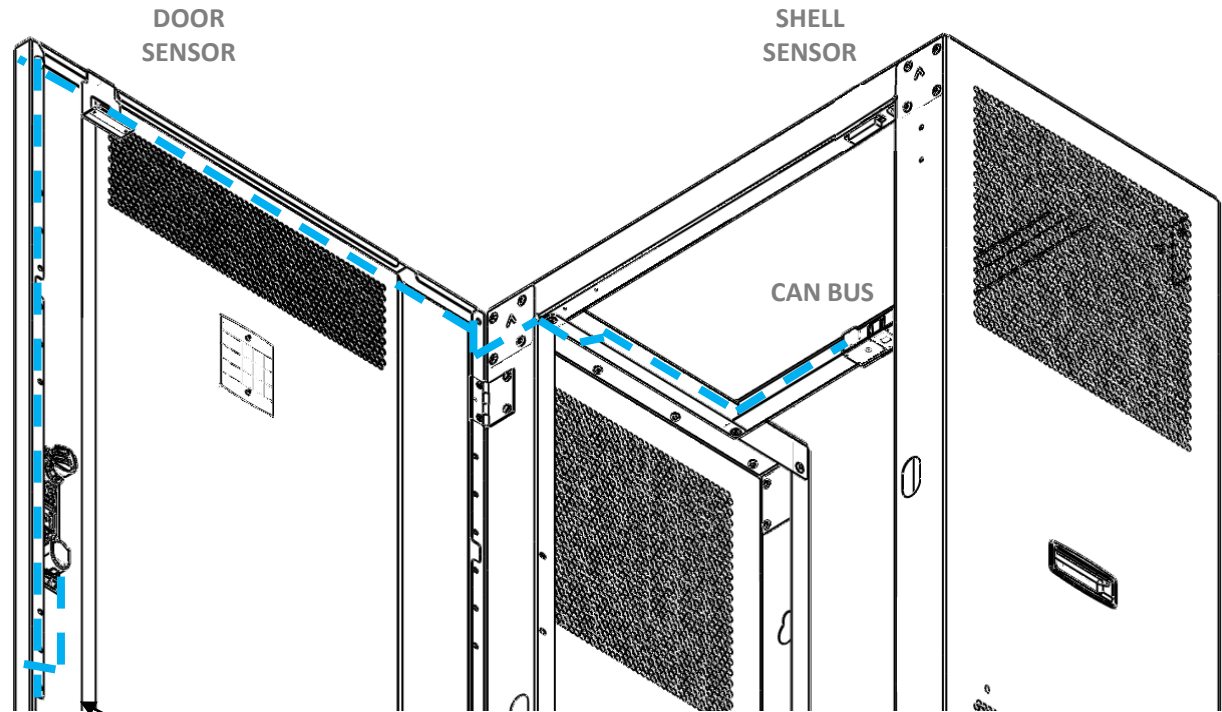
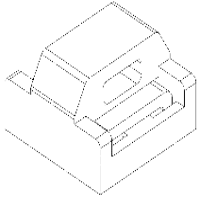


# Installation Instructions

## VersaEdge™ Wall-Mount Cabinet Swinghandle Latch Kit – Electronic Lock

1. INSTALL LATCH
2. INSTALL SENSOR & CAN BUS BRACKETS
3. INSTALL DOOR SENSOR, FRAME SENSOR & CAN BUS MODULE
4. WIRE FROM CAN BUS MODULE TO PDU
5. WIRE SENSORS TO CAN BUS
6. **WIRE CAN BUS MODULE TO LATCH**

**6A. PLACE THE MAGNET CABLE TIE MOUNTS IN APPROPRIATE LOCATIONS TO ROUTE WIRES AS SHOWN.**



**6B. ROUTE THE Y-HARNESS CABLE FROM THE CAN BUS MODULE TO THE LATCH AS SHOWN AND SECURE WITH INCLUDED CABLE TIES.**

**SECURE BOTH THE SENSOR WIRES AND Y-HARNESS CABLES TOGETHER ALONG THE TOP OF THE DOOR AND INTO THE SHELL.**

**NOTE: THE EXCESS Y-HARNESS CABLE SLACK IS ROUTED BELOW THE LATCH.**