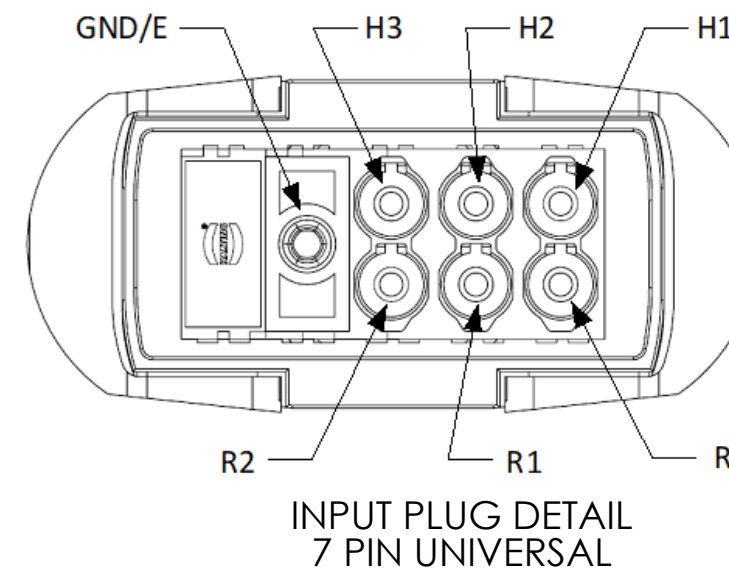


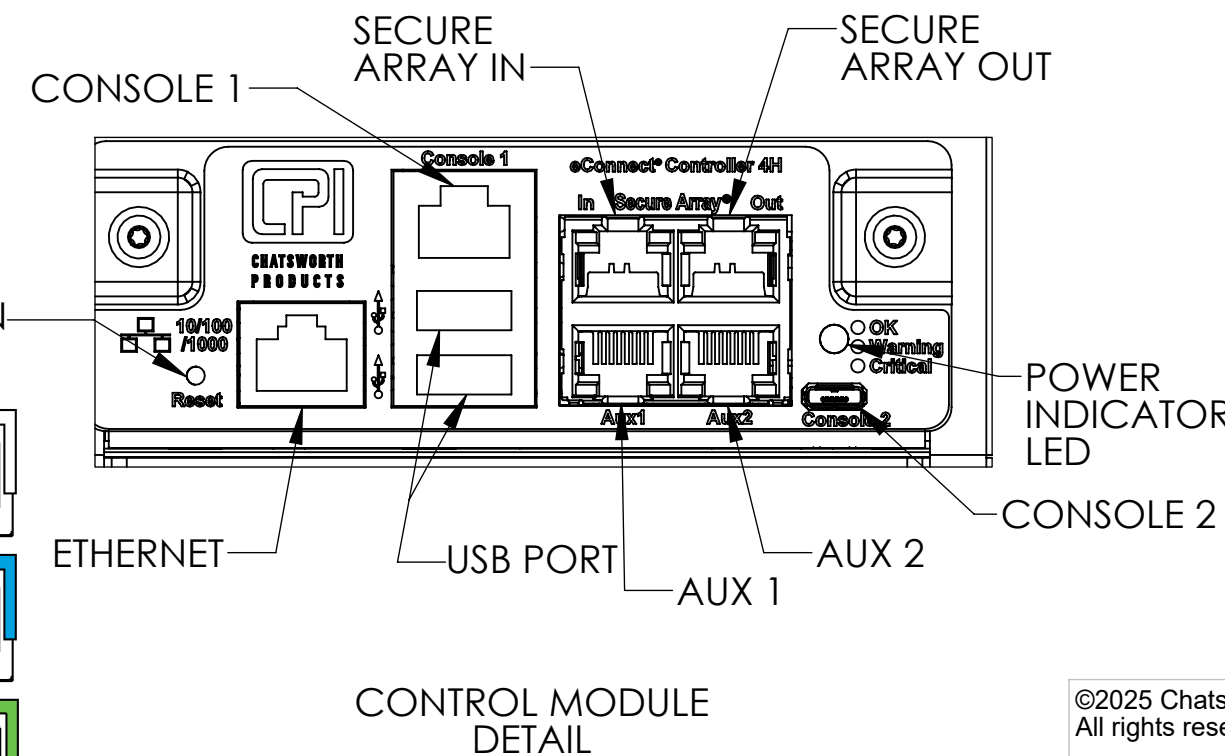
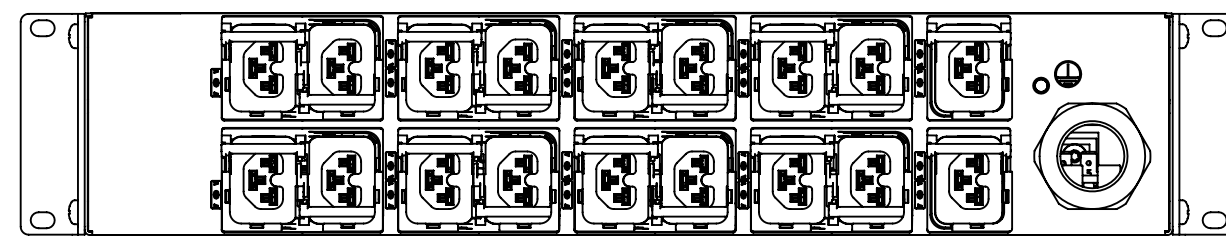
1ph L-L Wiring		3ph L-L Wiring	
PDU Input	Input Phase	PDU Input	Input Phase
H1	L1	H1	L1
R1	L2	R1	L2
H2	L1	H2	L2
R2	L2	R2	L3
H3	L1	H3	L3
R3	L2	R3	L1

1ph L-N Wiring		3ph L-N Wiring	
PDU Input	Input Phase	PDU Input	Input Phase
H1	L1	H1	L1
R1	N	R1	N
H2	L1	H2	L2
R2	N	R2	N
H3	L1	H3	L3
R3	N	R3	N

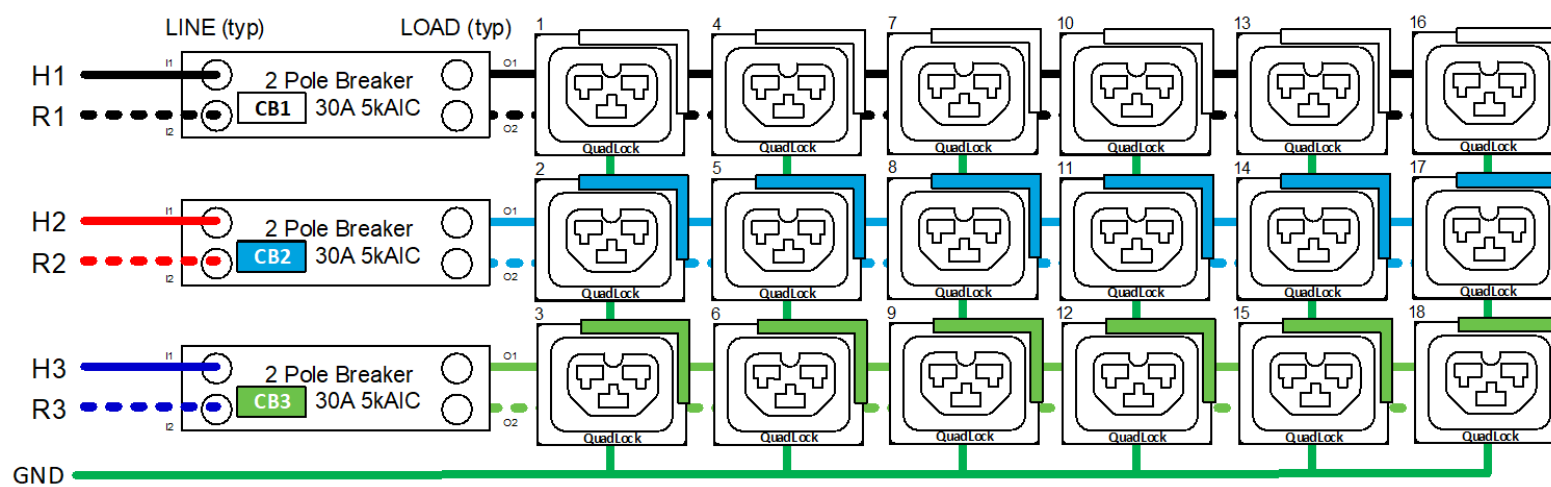


INPUT PLUG DETAIL  
7 PIN UNIVERSAL

PDU Technical Specs (See Sheet 2 for Line Cord Specs):	
<b>Input Ratings</b>	
Nominal Voltage (VAC)	120 1-ph 200 - 240V 1-ph 208V 3-ph 120/208V 3-ph 220-240V/380-415V 3-ph
Input Plug/ Cord	2-feet 7 conductor whip with Universal Input Plug
Current Rating	Up to 60A per phase (determined by Line Cord)
Power Rating (kW)	Up to 17.2kW (determined by Line Cord)
<b>Output Ratings</b>	
Nominal Voltage (VAC)	120 - 240V
Current Rating	Up to 72A (determined by Line Cord)
Outlet Rating	QuadLock: 16A Max
Max Current per Breaker	Unbalanced - 24A; Balanced - Determined by Line Cord
<b>Outlet Combination</b>	
Load Segment	Refer to Simplified Wire Schematic
PDU Total	(18) QuadLock C13/C15/C19/C21
<b>Branch Circuit Protection</b>	(3) 30A, 5kAIC or higher, Double Pole
<b>Surge Suppression</b>	None
<b>Features:</b>	
Local Display	Not Supported
Branch Monitoring	Current, Voltage, Power, PF per Circuit
Outlet Monitoring	Current, Voltage, Power, PF per Outlet
Monitoring Accuracy	+/- 1% True RMS
Ethernet Port	10/100/1000Mbps RJ45
Remote Monitoring	GUI, SNMPv1-3, RS232, RESTful API, CLI, Power IQ, Redfish
Remote Control	ON/OFF/CYCLE outlets remotely
IP Consolidation	Link 32/48 (with/without electronic locks) PDUs per IP address
USB Ports (2)	Update firmware, Opt'l Temp/Humidity Sensor
Controller Module	Field Replaceable
Auxiliary Port (2)	Optional Sensor Modules, Front & Rear Door Electronic Locks
Cord Retention	Locking Receptacles
Mounting System	Pre-installed mounting brackets
<b>Dimensions &amp; Weights:</b>	
Width (In [mm])	17 [431.8]
Height (In [mm])	3.47 [88.1]
Depth (In [mm])	12 [304.8]
Weight (lbs [kg])	21.5 [9.8]
<b>Regulatory Compliance:</b>	NEBKO Listed to UL/IEC 62368-1, CE, RoHS, FCC Part 15 Class A, EN 55022, TAA, BAA, COTS Compliant
<b>Regulatory Part Number:</b>	Black: K64-3UZ7A-E03-720 White: K64-3UZ7A-E03-E20
<b>Environmental Conditions:</b>	
Operating Temperature	32°F - 149°F (0°C - 65°C) below 16A/breaker 32°F - 112°F (0°C - 50°C) 16A-24A/breaker
Operating Rel Humidity	5 - 95%
Operating Elevation	0-10000 ft (0-3000m)
Storage Temperature	-13°F to 149°F (-25°C to 65°C)
Storage Rel Humidity	5 - 95%
Storage Elevation	0-50000ft (0-15000m)
<b>Hardware Included:</b>	(2) Pre-installed mounting brackets (1) ground kit cable
<b>Warranty</b>	3 yrs. Standard, 2 add'l yrs. Opt'l
<b>Optional Accessories:</b>	Electronic Locks & Sensor Options



CONTROL MODULE DETAIL



- Notes:
- All Dimension are in inches [millimeters] unless otherwise specified
  - Installation must conform with all related national and local codes
  - All Bracket kits are sold separately. Toolless mounting buttons are included for installation in CPI cabinets.
  - For more information, please contact Tech Support at [techsupport@chatsworth.com](mailto:techsupport@chatsworth.com)

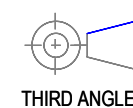
©2025 Chatsworth Products, Inc. All rights reserved.

All products quoted are subject to availability based on manufacturing capacity and shipping dates should be considered estimates only.

While every effort has been made to ensure the accuracy of all information, CPI does not accept liability for any errors or omissions and reserves the right to change information and descriptions of listed services and products.



eConnect Horizontal 2U PDU, Switched Pro, Universal Input, Single or Three Phase, (18) QuadLock Outlets, 100-250V Output



**UA-64H4W-X** ISS

SHEET 1 OF 2

## Universal Input PDU Line Cord Options and Ratings

Universal Input PDU Line Cord Options - North America												
Input Plug Type	Wiring	Phase	Configuration	Input Current Rating	Nominal Input Voltage	Nominal Output Voltage	3 CBUPDU kW Capacity	6 CBUPDU kW Capacity	Output Current Rating - 3 CBUPDU	Output Current Rating - 6 CBUPDU	Balanced Current Per Breaker - 3 CBUPDU	Balanced Current Per Breaker - 6 CBUPDU
<b>Single Phase Input</b>												
L5-30P	1P3W	1	Wye	24A	120V	120V	2.8kW	2.8kW	24A	24A	8A	4A
L6-30P	1P3W	1	Delta	24A	208V	208V	5kW	5kW	24A	24A	8A	4A
L14-30P	1P4W	1	Delta	24A	120/208V	208V	5kW	5kW	24A	24A	8A	4A
CS6361C	1P3W	1	Wye	40A	120V	120V	4.8kW	4.8kW	40A	40A	13.3A	6.6A
CS8265C	1P3W	1	Delta	40A	208V	208V	8.3kW	8.3kW	40A	40A	13.3A	6.6A
CS6365C	1P4W	1	Delta	40A	120/208V	208V	4.8kW	4.8kW	40A	40A	13.3A	6.6A
<b>Three Phase Input</b>												
L21-20P	3P5W	3	Wye	16A	120/208V	120V	5.7kW	5.7kW	48A	48A	16A	8A
L21-20P	3P5W	3	Delta	16A	120/208V	208V	5.7kW	5.7kW	27.7A	27.7A	9.2A	4.6A
L15-30P	3P4W	3	Delta	24A	208V	208V	8.6kW	8.6kW	41.5A	41.5A	13.8A	6.9A
L21-30P	3P5W	3	Wye	24A	120/208V	120V	8.6kW	8.6kW	72A	72A	24A	12A
L21-30P	3P5W	3	Delta	24A	120/208V	208V	8.6kW	8.6kW	41.5A	41.5A	13.8A	6.9A
L22-30P	3P5W	3	Wye	24A	240/415V	240V	17.2kW	17.2kW	72A	72A	24A	12A
CS8365C	3P4W	3	Delta	40A	208V	208V	14.4kW	14.4kW	69.2A	69.2A	23A	11.5A
530P7W	3P5W	3	Wye	24A	240/415V	240V	17.2kW	17.2kW	72A	72A	24A	12A
460P9	3P4W	3	Delta	48A	208V	208V	14.9kW	17.2kW	72A	83.1A	24A	12A
560P7	3P5W	3	Wye	48A	240/415V	240V	17.2kW	34.5kW	72A	144A	24A	24A
560P9	3P5W	3	Wye	48A	120/208V	120V	8.6kW	17.2kW	72A	144A	24A	24A
560P9	3P5W	3	Delta	48A	120/208V	208V	14.9kW	17.2kW	72A	83.1A	24A	13.8A

Universal Input PDU Line Cord Options - Worldwide																			
Input Plug Type	Wiring	Phase	Configuration	Input Current Rating (UL)	Input Current Rating (CE)	Nominal Input Voltage	Nominal Output Voltage	3 CBUPDU kW Capacity (UL)	6 CBUPDU kW Capacity (UL)	3 CBUPDU kW Capacity (CE)	6 CBUPDU kW Capacity (CE)	Output Current Rating - 3 CBUPDU (UL)	Output Current Rating - 3 CBUPDU (CE)	Output Current Rating - 6 CBUPDU (UL)	Output Current Rating - 6 CBUPDU (CE)	Balanced Current Per Breaker - 3 CBUPDU (UL)	Balanced Current Per Breaker - 3 CBUPDU (CE)	Balanced Current Per Breaker - 6 CBUPDU (UL)	Balanced Current Per Breaker - 6 CBUPDU (CE)
<b>Single Phase Input</b>																			
332P6	1P3W	1	Wye	25.6A	32A	220-240V	220-240V	6.1kW	6.1kW	7.6kW	7.6kW	25.6A	32A	25.6A	32A	8.5A	10.6A	4.2A	5.3A
360P6	1P3W	1	Wye	48A	60A	220-240V	220-240V	11.5kW	11.5kW	14.4kW	14.4kW	48A	60A	48A	60A	16A	20A	8A	10A
363P6	1P3W	1	Wye	48A	60A	220-240V	220-240V	11.5kW	11.5kW	14.4kW	14.4kW	48A	60A	48A	60A	16A	20A	8A	10A
<b>Three Phase Input</b>																			
520P6	3P5W	3	Wye	16A	20A	220-240V/380-415V	220-240V	11.5kW	11.5kW	14.3kW	14.3kW	48A	60A	48A	60A	16A	20A	8A	10A
532P6	3P5W	3	Wye	25.6A	32A	220-240V/380-415V	220-240V	17.2kW	17.2kW	23kW	23kW	72A	72A	96A	96A	24A	24A	16A	16A
560P6	3P5W	3	Wye	48A	60A	220-240V/380-415V	240V	17.2kW	34.5kW	17.2kW	34.5kW	72A	72A	144A	144A	24A	24A	24A	24A
563P6	3P5W	3	Wye	48A	63A	220-240V/380-415V	240V	17.2kW	34.5kW	17.2kW	34.5kW	72A	72A	144A	144A	24A	24A	24A	24A

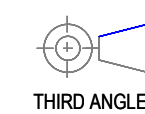
©2025 Chatsworth Products, Inc.  
All rights reserved.

All products quoted are subject to availability based on manufacturing capacity and shipping dates should be considered estimates only.

While every effort has been made to ensure the accuracy of all information, CPI does not accept liability for any errors or omissions and reserves the right to change information and descriptions of listed services and products.



eConnect Horizontal 2U PDU, Switched Pro, Universal Input, Single or Three Phase, (18) QuadLock Outlets, 100-250V Output



**UA-64H4W-X** ISS

SHEET 2 OF 2