

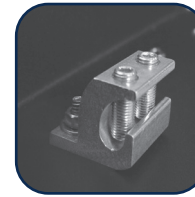
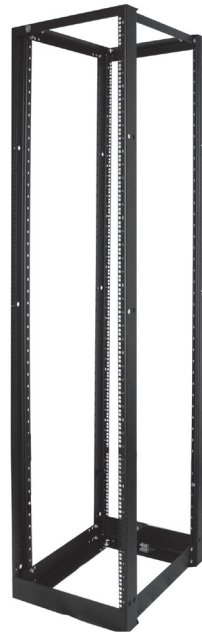


CHATSWORTH  
PRODUCTS

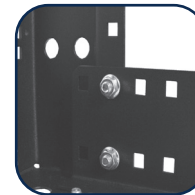
# Adjustable ServerRack and QuadraRack®

The Adjustable ServerRack with EIA Universal square-punched equipment mounting holes support rack-mount server and data storage equipment in data centers or computer equipment.

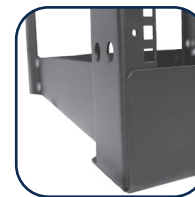
The Adjustable QuadraRack® with EIA Universal threaded equipment mounting holes support large modular network or voice switches and routers in communications equipment rooms.



Two Mounting Hole Ground Terminal Block



Adjustable Mounting Channels



Self-Squaring Assembly

HCAI OPM-0302

## KEY FEATURES

- Stability and strength of a welded steel enclosure in an open four-post frame
- Open design for unrestricted airflow and easy access to equipment and cabling
- Self-squaring assembly with welded front and rear frames reduces assembly time
- Mounting channels adjust in depth to provide front and rear support for equipment
- Maximizes floor space with a minimal rack footprint
- Rack components are bonded together during assembly in accordance with industry standards
- Includes a Two Mounting Hole Ground Terminal Block for easy attachment to the Telecommunications Grounding Busbar
- Choose square-punched or threaded equipment mounting holes
- Rack-mount units are marked and numbered on the mounting channels
- Easy to bay together to create multi-rack configurations
- Use with any CPI Cabling Section to manage cables
- Support large equipment on heavy-duty shelves or on side-mounted Equipment Support Rails
- UL Listed; File E227626; Category NWIN (US), NWIN7 (Canada) - Information Technology and Communications Equipment Cabinet, Enclosure and Rack

## SPECIFICATIONS

Description	<ul style="list-style-type: none"> <li>• Four-post frame with square-punched or threaded mounting holes used to support 19" wide rack-mount network, computer server and data storage equipment and shelves</li> <li>• For indoor use only, in environmentally controlled areas; may not be used outdoors, in industrial or harsh environments, or in plenum spaces</li> </ul>
Includes	<ul style="list-style-type: none"> <li>- (2) mounting frames</li> <li>- (4) horizontal braces</li> <li>- Assembly hardware</li> <li>- (1) Two Mounting Hole Ground Terminal Block and Antioxidant Joint Compound</li> <li>- Adjustable ServerRack (square-punched mounting holes) includes (25) #12-24 cage nuts and screws. Use Klik-Nut Hardware Kit (sold separately) for easy installation.</li> <li>- Adjustable QuadraRack (threaded mounting holes) includes (50) #12-24 screws</li> <li>- Order installation hardware separately (P/N 40604-003 for concrete floors)</li> </ul>
Equipment Support	<ul style="list-style-type: none"> <li>• Front and rear pairs of C-shaped equipment mounting channels</li> <li>• Adjustable depth at assembly, 5.91" (150 mm) front-to-rear in fixed .98" (25 mm) increments</li> <li>• 19" wide, EIA-310-D compliant hole pattern</li> <li>• 1-3/4" (44.45 mm) high rack-mount unit</li> <li>• Universal hole pattern, 5/8"-5/8"-1/2" (15.9 mm - 15.9 mm - 12.7 mm) vertical hole spacing</li> <li>• Adjustable ServerRack has square-punched .375" (9.53 mm) equipment mounting holes</li> <li>• Adjustable QuadraRack has threaded #12-24 equipment mounting holes</li> <li>• Rack-mount units are marked and numbered bottom-to-top on the channels</li> <li>• Order Klik-Nut Hardware Kit for quick installation (sold separately).</li> </ul>
Load Capacity	2000 lb (907.2 kg) of equipment, evenly distributed

Availability: US, Canada, Latin America, Europe, Middle East & Africa

**United States & Canada**  
Simi Valley, CA  
800-834-4969  
Toronto, Ontario, Canada  
+905-850-7770  
chatsworth.com  
techsupport@chatsworth.com

**Latin America**  
Mexico City, Mexico  
+52-55-5203-7525  
Toll Free within Mexico  
800-201-7592  
chatsworth.com.co

**Europe**  
Buckinghamshire  
England, UK  
+44-1628-524-834

**Middle East & Africa**  
Dubai, UAE  
+971-4-2602125  
Doha, Qatar  
+974-4-267422

**Asia Pacific**  
Jing'an District,  
Shanghai, China  
+86 21 6880-0266  
chatsworth.com.cn

## SPECIFICATIONS

Grounding and Bonding:	<ul style="list-style-type: none"> <li>Rack components are bonded together during assembly in accordance with industry standards</li> <li>(2) ground connections (two pairs of M6 studs on 5/8" centers) are located at the front and rear of the rack on the bottom center of the frame</li> <li>Includes (1) Two Mounting Hole Ground Terminal Block with Antioxidant Joint Compound</li> </ul>
Certifications	<ul style="list-style-type: none"> <li>19"W, EIA-310-D compliant</li> <li>UL Listed; File E227626; Category NWIN (US), NWIN7 (Canada) - Information Technology and Communications Equipment Cabinet, Enclosure and Rack</li> <li>OSHPD Preapproval of Manufacturer's Certification (OPM-0302)</li> </ul>
Materials	<ul style="list-style-type: none"> <li>Steel;</li> <li>- Welded front and rear frames, bolted assembly</li> <li>- Shipped unassembled</li> </ul>
Finish	<ul style="list-style-type: none"> <li>Epoxy-polyester hybrid powder coat paint available in black, gray or glacier white</li> </ul>

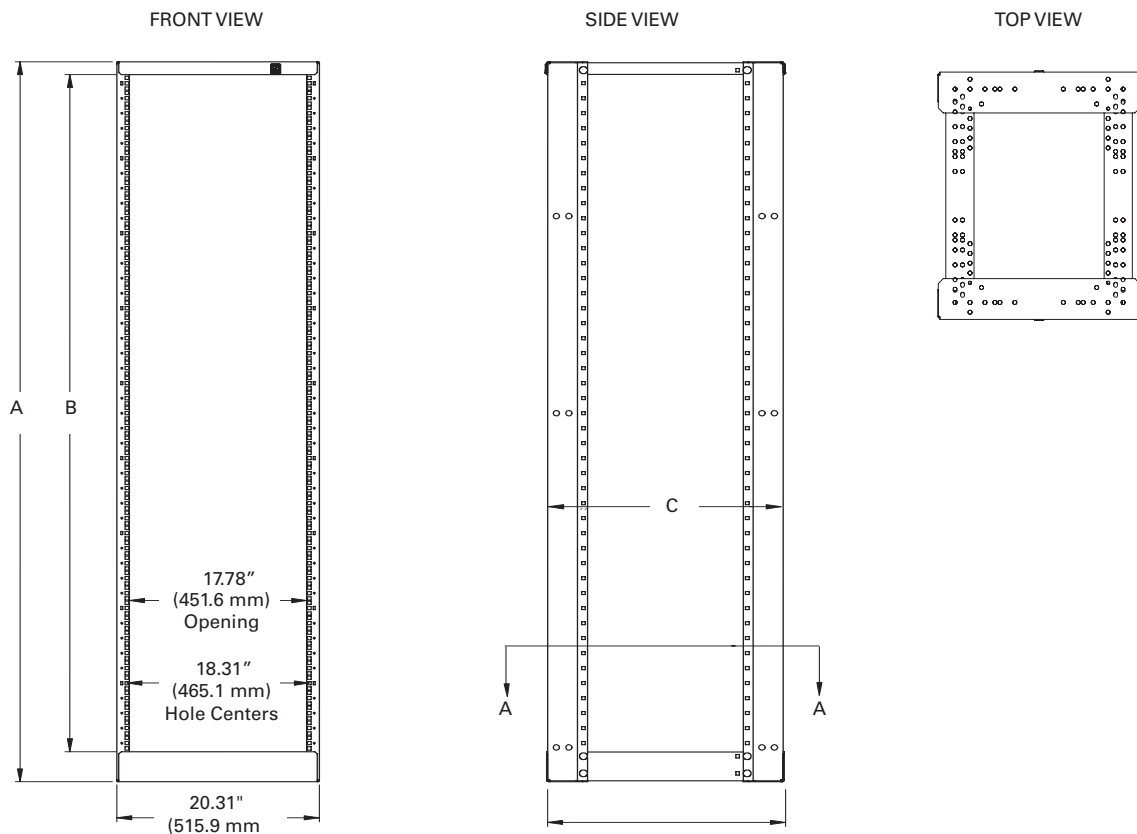
The Adjustable ServerRack and the Adjustable QuadraRack® provide a sturdy, cost-effective solution for supporting rack-mount network, computer server and data storage equipment in data centers, computer equipment rooms and other IT facilities. Both racks offer the strength and stability of an enclosure in an open four-post frame that provides easy access to equipment and cabling.

Each rack will support up to 2,000 lb (907.2 kg) of equipment. The corner posts are C-shaped equipment mounting channels that provide front and rear support for 19" wide rack-mount equipment or shelves. The front and rear frames are welded to reduce assembly time. Four brackets connect the front and rear corners of the rack. The rack is available in four heights and four depth ranges. The front-to-rear depth of the mounting channels can be adjusted up to 5.91" (150 mm) in depth in .98" (25 mm) increments during assembly. The mounting channels are fixed in place once assembled to surround and protect equipment.

The Adjustable ServerRack has square-punched holes that let you change mounting hardware (Clik-Nut Hardware Kit or standard cage nuts) to match specific computer server and data storage equipment mounting requirements. The Adjustable QuadraRack has threaded mounting holes that make installation time of patch panels, fiber enclosures and network switches shorter. Each rack-mount unit is marked and numbered on the channels making it easy to locate and position equipment. A second set of holes along the sides of the channels lets you add optional side-mounted Equipment Support Rails that use no additional rack-mount space.

The Adjustable ServerRack and the Adjustable QuadraRack can be used in combination with CPI Standard Racks (two-post racks), Cabling Sections (vertical cable managers) and overhead Cable Runway (ladder rack) to support a wide range of equipment storage applications. Attach 6" (150 mm) wide to 24" (600 mm) wide CPI Cable Runway to the top of the rack with a Cable Runway Mounting Bracket. CPI Cabling Sections bolt directly to the side of the channels, and the base of the rack is punched for easy floor attachment.

## DIMENSIONS

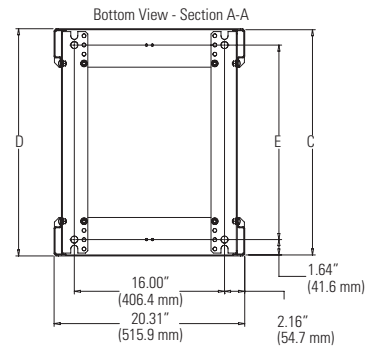


## ORDERING INFORMATION:

Adjustable QuadraRack® and ServerRack, 19"			
1521	19" Adjustable 4-Post Racks		
	<b>Mounting Hole Style</b>	<b>Mounting Channel Depth Range (C) in (mm)</b>	
1	Square-Punched	15.75 to 21.65 (400 to 550)	
2	Square-Punched	22.64 to 28.54 (575 to 725)	
3	Square-Punched	29.53 to 35.43 (750 to 900)	
4	Square-Punched	36.42 to 42.32 (925 to 1075)	
5	#12-24 Threaded	15.75 to 21.65 (400 to 550)	
6	#12-24 Threaded	22.64 to 28.54 (575 to 725)	
7	#12-24 Threaded	29.53 to 35.43 (750 to 900)	
8	#12-24 Threaded	36.42 to 42.32 (925 to 1075)	
<b>Color</b>			
1	Gray		
7	Black		
E	Glacier White		
<b>Height (A)</b>			
	<b>U</b>	<b>(A) - in (mm)</b>	<b>(B) - in (mm)</b>
01	38	72 (1800)	67 (1700)
03	45	84 (2100)	79 (2000)
15	51	96 (2400)	91 (2300)
08	58	108 (2740)	103 (2620)
1521	X	-	X XX

Note: Mounting channel depth adjusts in .98" (25 mm) increments during assembly. The mounting depth is fixed once the rack is assembled. See the table on next page for a list of mounting channel depth settings by part number.

Mounting Channel Depth Settings and Dimensions by Part Number							
Part Numbers		Channel Depth (C)		Overall Depth (D)		Floor Mounting Holes (E)	
		in	mm	in	mm	in	mm
15215-XXX	15211-XXX	15.75	400	15.96	405.4	12.47	316.7
		16.73	425	16.94	430.3	13.45	341.6
		17.72	450	17.93	455.4	14.44	366.8
		18.70	475	18.91	480.3	15.42	391.7
		19.69	500	19.90	505.5	16.41	416.8
		20.67	525	20.88	530.4	17.39	441.7
15216-XXX	15212-XXX	21.65	550	21.86	555.2	18.37	466.6
		22.64	575	22.85	580.4	19.36	491.7
		23.62	600	23.83	605.3	20.34	516.6
		24.61	625	24.82	630.4	21.33	541.8
		25.59	650	25.80	655.3	22.31	566.7
		26.57	675	26.78	680.2	23.29	591.6
15217-XXX	15213-XXX	27.56	700	27.77	705.4	24.28	616.7
		28.54	725	28.75	730.3	25.26	641.6
		29.53	750	29.74	755.4	26.25	666.8
		30.51	775	30.72	780.3	27.23	691.6
		31.50	800	31.71	805.4	28.22	716.8
		32.48	825	32.69	830.3	29.2	741.7
15218-XXX	15214-XXX	33.46	850	33.67	855.2	30.18	766.6
		34.45	875	34.66	880.4	31.17	791.7
		35.43	900	35.64	905.3	32.15	816.6
		36.42	925	36.63	930.4	33.14	841.8
		37.40	950	37.61	955.3	34.12	866.6
		38.39	975	38.60	980.4	35.11	891.8
		39.37	1000	39.58	1005	36.09	916.7
		40.35	1025	40.56	1030	37.07	941.6
41.34	1050	41.55	1055	38.06	966.7		
		42.32	1075	42.53	1080	39.04	991.6



## Notes:

- There are seven depth settings for each part number as listed in the table.
- Each rack adjusts front-to-rear in depth up to 5.91" (150 mm) in .98" (25 mm) increments.
- Rack mounting channel depth is fixed once assembled.
- Overall Depth (D) is Channel Depth (C) + .21" (5.3 mm).
- Floor Mounting Holes (E) are Channel Depth (C) - 3.28" (83.3 mm).

**ORDERING INFORMATION:****Adjustable 4-Post Rack Accessories****Equipment Support Rail**

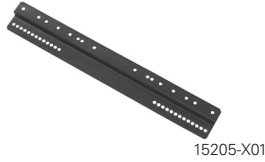
Attaches to the side of rack and provides a 1.5"W (38 mm) front-to-rear support surface for equipment. Supports 200 lb (90.7 kg) of equipment; includes hardware.

**Extra Heavy Duty Sliding Shelf**

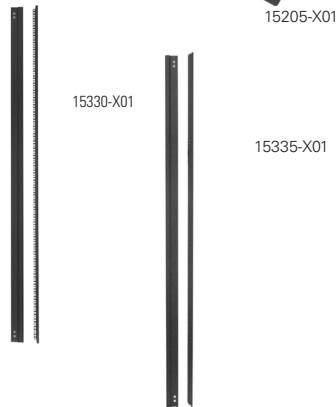
This 2U x 19"W sliding shelf with adjustable depth rear mounting brackets attaches to rack channels set 20.62"W to 32.48"D (525 to 825 mm). Solid surface is 15.5"W x 26"D (393.7 mm x 660 mm), extends 24" (609 mm) and locks in the open and closed positions. Supports 300 lb (136 kg) of equipment.

**Cable Runway Mounting Bracket**

Aligns with the front, rear or side of the rack and supports 6"W to 24"W (150 mm to 600 mm) CPI Cable Runway. S-shaped, steel bracket measures 1.0"H x 3.3"W x 24.4"L (25 mm x 84 mm x 620 mm) and includes mounting hardware.

**Center Rail**

Attach the rails at any point along the side of the rack for adjustable depth. Marked and numbered U spaces simplify equipment installation. Maximum mount depth is 6" (152 mm) less than the channel depth of the rack. 1000 lb (453.6) equipment load bearing capacity when used as an independent pair or rails; rack load remains 2000 lb (907.2) when Center Rail is used as the front or rear pair of four-point mounting solution.



Part Number	Description H x W Height - ft (m)	Shipping Weight lb (kg)
15235-X01	Equipment Rail, 15.75 to 19.69 (400 to 500) D	5 (2.3)
15235-X02	Equipment Rail, 20.67 to 24.61 (525 to 625) D	6 (2.7)
15235-X03	Equipment Rail, 25.59 to 29.53 (650 to 750) D	7 (3.2)
15235-X04	Equipment Rail, 30.51 to 34.45 (775 to 875) D	9 (4.1)
15235-X05	Equipment Rail, 35.43 to 39.37 (900 to 1000) D	10 (4.5)
15235-X06	Equipment Rail, 40.35 to 44.29 (1025 to 1125) D	12 (5.4)
12700-X19*	Extra Heavy Duty Sliding Shelf, 19"W	29 (13)
15205-X01	Cable Runway Mounting Bracket, for 6 to 24 (150 to 600) W Cable Runway	5 (2.3)
15330-X01	Center Rail, Square Punched, 38U, 72 (1800) H	20 (9.1)
15330-X03	Center Rail, Square Punched, 45U, 84 (2100) H	23 (10.4)
15330-X15	Center Rail, Square Punched, 51U, 96 (2400) H	26 (11.8)
15330-X08	Center Rail, Square Punched, 58U, 108 (2740) H	29 (13.2)
15335-X01	Center Rail, Threaded #12-24, 38U, 72 (1800) H	20 (9.1)
15335-X03	Center Rail, Threaded #12-24, 45U, 84 (2100) H	23 (10.4)
15335-X15	Center Rail, Threaded #12-24, 51U, 96 (2400) H	26 (11.8)
15335-X08	Center Rail, Threaded #12-24, 58U, 108 (2740) H	29 (13.2)

X=color; 1=Gray, 7=Black, E=Glacier White

\*Not available in Clear.