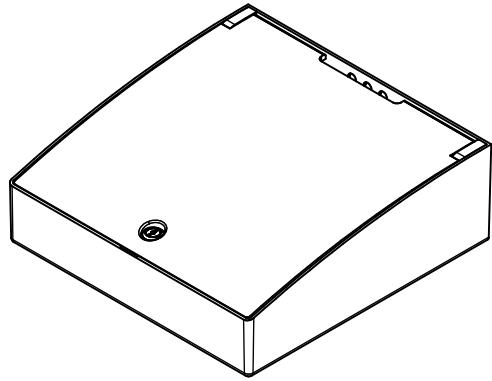
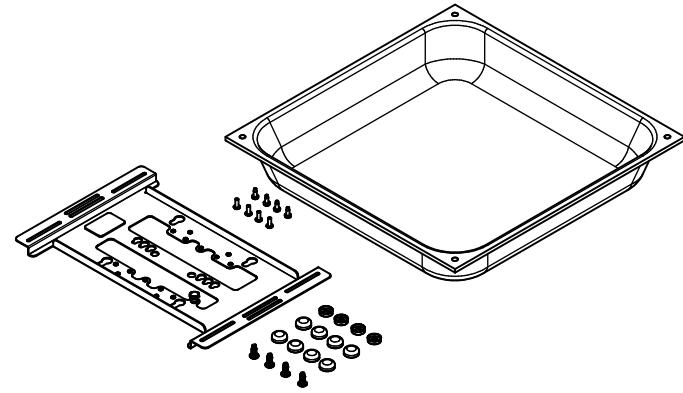


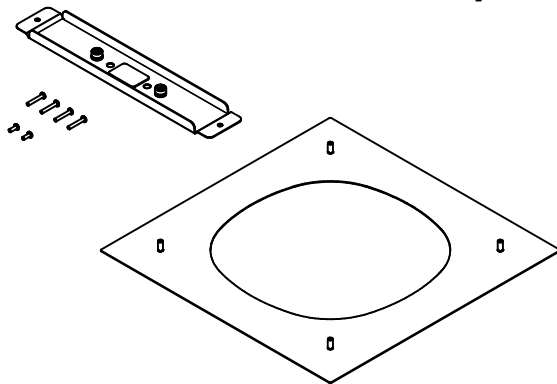
Right-Angle Plastic Backbox



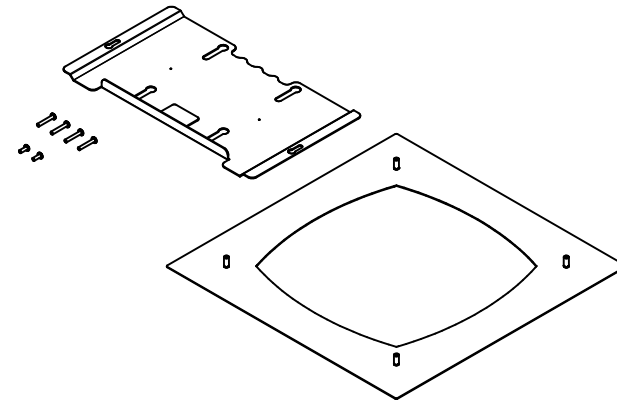
DOME Trim Assembly



ARUBA Trim Assembly



CISCO/JUNIPER Trim Assembly



NOTES:

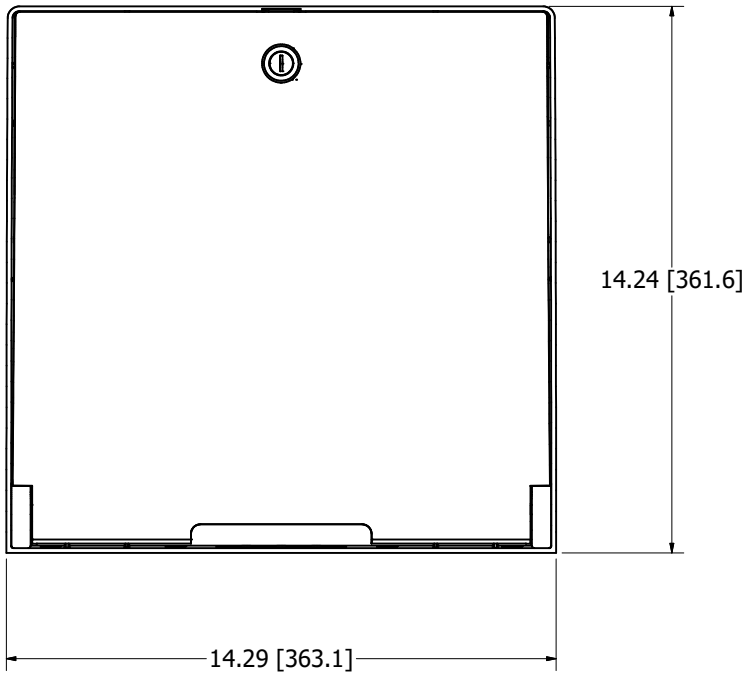
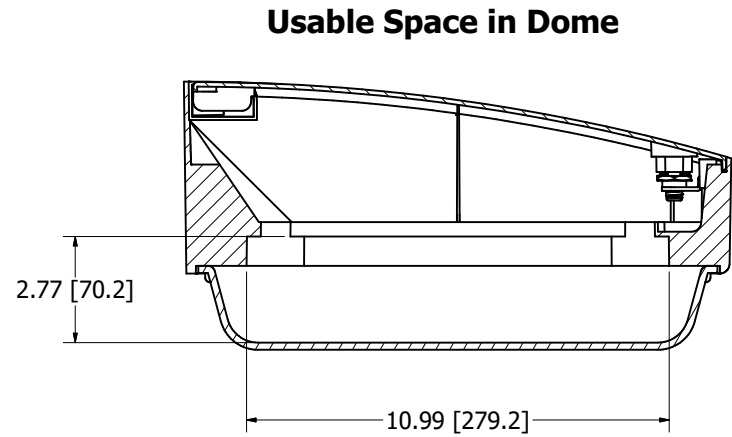
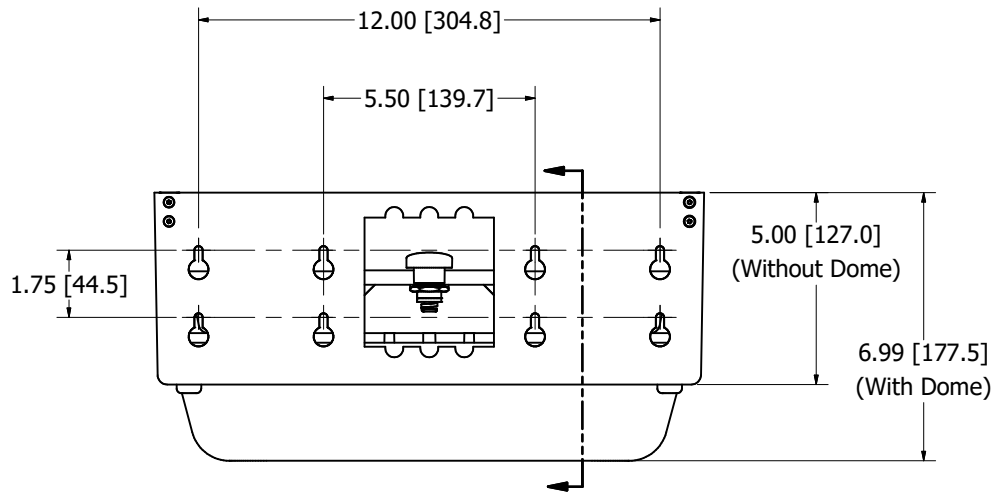
- Weight: 5 lbs
- Materials:
 - White ABS Plastic Right-Angle Wall Mount
 - 20 Gauge White Powder Coated Steel Trim
 - White or Clear ABS Plastic Dome Cover
 - 18 Gauge Glavanized Steel Access Point Bracket

Includes:

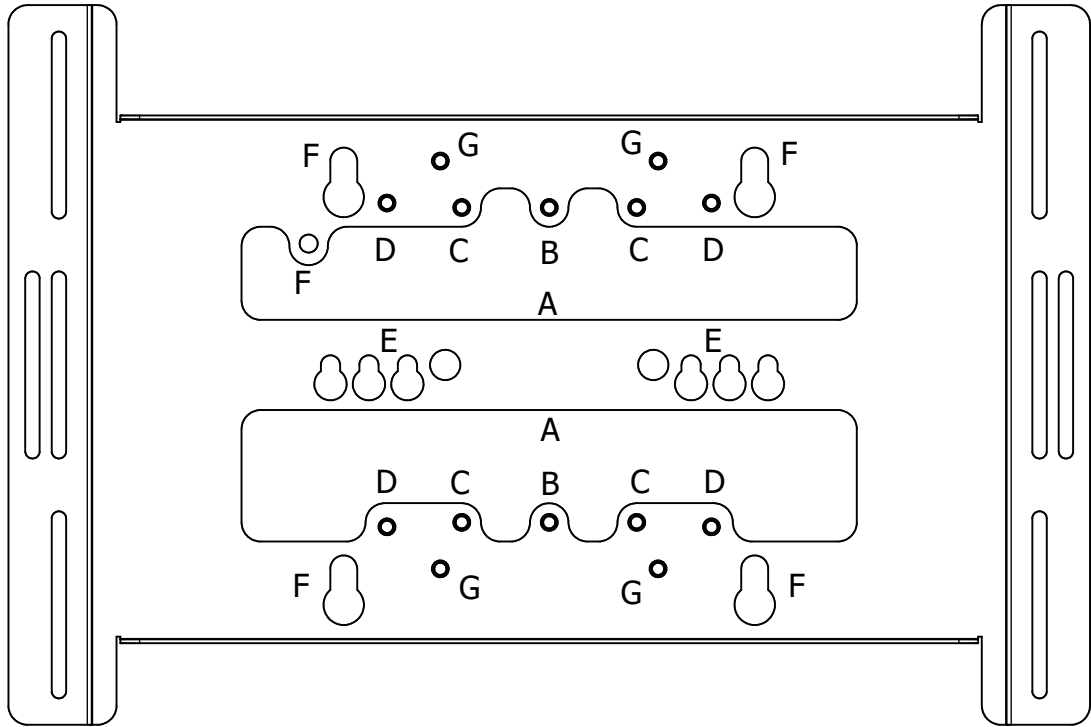
- (1) *Right-Angle Wall Mount*
- (1) *Access Point Specific Trim OR Plastic Dome*
- (2) *Keys for Lock*
- *Access Point Attachment Hardware*

Oberon, Inc. - 1315 S. Allen St. - State College, PA 16801

TITLE		
Model 1007 Specification Sheet		
SIZE	DWG NO	DATE
C	SPEC-OB1007	5/19/2026
SCALE	SHEET 1 OF 4	



Oberon, Inc. - 1315 S. Allen St. - State College, PA 16801			
TITLE			
Model 1007 Specification Sheet			
SIZE	DWG NO	DATE	
C	SPEC-OB1007	5/19/2026	
SCALE	SHEET 2 OF 4		



DOMI MOUNTING LEGEND

- A - Integrated T-Bar
- B - Single Gang Outlet Box
- C - Double Gang Outlet Box
- D - 4 Inch Square Junction Box
- E - Aruba Direct Mounting
- F - Cisco Direct Mounting & Set Screw
- G - Cisco AIR-AP-Bracket-1

Oberon, Inc. - 1315 S. Allen St. - State College, PA 16801			
TITLE			
Model 1007 Specification Sheet			
SIZE	DWG NO	DATE	
C	SPEC-OB1007	5/19/2026	
SCALE	SHEET 3 OF 4		

CONFIGURATION TABLE		
MODEL NUMBER	TRIM PART NUMBER	ACCESS POINT
1007-LPDOME	77-1007-LPDOME	Universal Pattern (Sheet 3 of 4)
1007-LTDOME	77-1007-LTDOME	Universal Pattern (Sheet 3 of 4)
1007-ARAP635	77-1007-ARAP635	Aruba AP635
1007-ARAP735	77-1007-ARAP735	Aruba AP735
1007-ARAP755	77-1007-ARAP755	Aruba AP755
1007-COAP9136	77-1007-COAP9136	Ciscoi 9136i Series APs
1007-CW9166	77-1007-CW9166	Cisco 9164i, 9166i Series APs
1007-CW9172	77-1007-CW9172	Cisco 9172i Series APsi
1007-CW9174	77-1007-CW9174	Cisco 9174i Series APs
1007-CW9176	77-1007-CW9176	Cisco 9176i Series APs
1007-CW9178	77-1007-CW9178	Cisco 9178i Series APs
1007-NT	No Trim Included	N/A

Oberon, Inc. - 1315 S. Allen St. - State College, PA 16801		
TITLE		
Model 1007 Specification Sheet		
SIZE	DWG NO	DATE
C	SPEC-OB1007	5/19/2026
SCALE	SHEET 4 OF 4	