

GLOBALTRAC WIRE MESH CABLE TRAY SYSTEM

KEY FEATURES

- Easy to use pathway solution that supports large quantities of network cables
- Can be cut and formed to create smooth curved transitions around obstacles
- Open top design makes cable moves, adds and changes easier
- Available in multiple heights and widths to match cable fill requirements
- Easy to splice together
- Support trays from the floor, ceiling or wall

APPLICATIONS

- Use the GlobalTrac Wire Mesh Cable Tray System to distribute network cables to equipment cabinets and racks in the data center and network equipment rooms or to individual office spaces in commercial buildings.

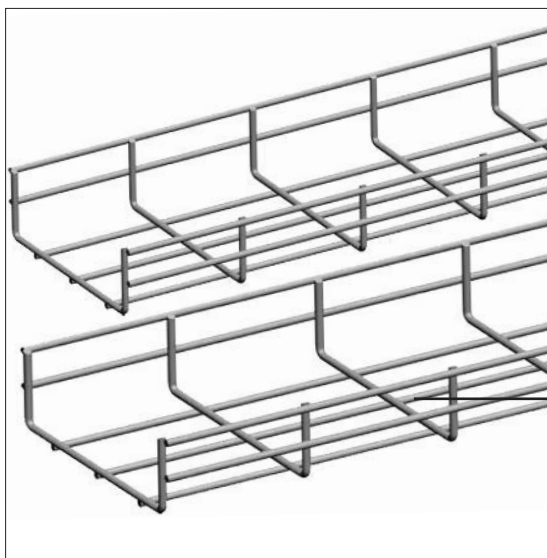
USE WITH

- CPI Rack Systems
- CPI Cabinet, Enclosure and Containment Systems
- CPI Zone Cabling and Wireless Enclosures

RELATED ACCESSORIES

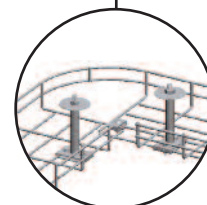
- CPI Grounding and Bonding Products

Availability: Asia Pacific



GlobalTrac Wire Mesh Cable Tray

Cut and form tray to create turns and transitions.



CPI's GlobalTrac Wire Mesh Cable Tray System is an excellent solution for indoor cable pathway applications to create point-to-point pathways for network cabling in data centers, network equipment rooms and office spaces.

All GlobalTrac Wire Mesh Cable Trays can be cut and formed into smooth turns, and it transitions easily, adapting to most locations to avoid existing pathway obstacles. The tray provides excellent load bearing capability and protection for cables. Manufactured from 5 mm diameter steel wire that is welded into a 2" x 4" (50 mm x 100 mm) rectangular pattern, GlobalTrac is available in a choice of three heights and 12 widths to match cable fill requirements. Standard 10'L (3 m) sections can be cut and formed into smooth horizontal or vertical transitions. The tray is available in zinc plated or painted black finish. Select tray size based on cable fill requirements. Select splices and supports to match the location.

Ordering information is listed on the following pages. Contact CPI Technical Support for assistance with configurations.

US & Canada

+1-800-834-4969
Toronto, Ontario, Canada
+905-850-7770
chatsworth.com

Latin America

+52-55-5203-7525
Toll Free within Mexico
01-800-01-7592
chatsworth.com.co

Europe

+44-1628-524-834
chatsworthproducts.co.uk

Middle East & Africa

Dubai, UAE
+971-4-2602125
chatsworthproducts.co.uk

Asia Pacific

+86 21 6880-0266
chatsworth.com.cn

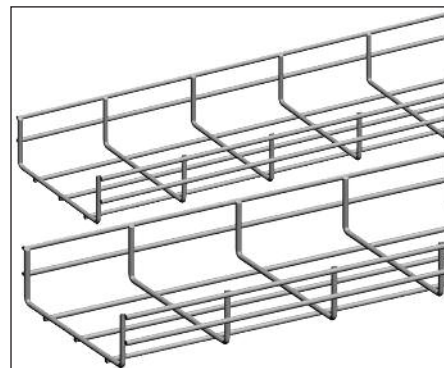
techsupport@chatsworth.com



CHATSWORTH
PRODUCTS

SPECIFICATIONS

- Provides short span support of low voltage, telecommunications, network and fiber optic cables
- For indoor use only, in environmentally controlled areas; may not be used outdoors or in harsh environments
- Available sizes:
 - See Ordering Information
- Cable Fill Capacity:
 - See Ordering Information
- Material:
 - Medium carbon steel wire, 5 mm diameter
- Construction:
 - Welded at 2" x 4" (50 mm x 100 mm) intersections
- Finish:
 - Two options
 - Electro-Zinc Plated, >=12 µm (microns) thick, meets BS EN 12329-2000 requirements
 - Painted, black powder coat, 60 µm (microns) to 100 µm (microns) thick, meets JG/T3045-1998 requirements
- Safe Working Load
 - See Ordering Information; support every 1.5 m (5')
 - Meets Clause 5.2.6-5.2.9, NEMA VE 1 and 2002/CSA C22.2 No. 126.1-02 requirements
 - Exceeds Clause 10.4, BS EN61537:2007 Cable Management – Cable Tray Systems and Cable Ladder Systems requirements
- Installation Hardware:
 - Support every 1.5 m (5') of span, and on both sides of each splice, intersection or change in elevation
 - Order splices, support brackets and installation hardware separately to match job site requirements



Part Number and Finish		Nominal Dimensions				Cable Fill Area		Estimated Loose Cable Fill (Max)		Max Load 5'L (1.5 m) Span		Shipping Weight	
Electro-Zinc Plated	Painted Black	Height		Width		in ²	mm ²	.30" OD	7.5 mm	lb/ft	kg/m	lb	kg
		in	mm	in	mm								
84811-502	84811-702	2	50	2	50	4	2500	29	28	38	57	9.0	4.1
84811-504	84811-704	2	50	4	100	8	5000	58	56	43	65	11.0	5.0
84811-506	84811-706	2	50	6	150	12	7500	88	85	49	74	12.0	5.4
84811-508	84811-708	2	50	8	200	16	10000	117	113	54	82	14.0	6.4
84811-512	84811-712	2	50	12	300	24	15000	176	170	60	90	17.0	7.7
84811-516	84811-716	2	50	16	400	32	20000	235	226	65	98	20.0	9.1
84811-518	84811-718	2	50	18	450	36	22500	264	255	71	106	21.0	9.5
84811-520	84811-720	2	50	20	500	40	25000	294	283	77	114	23.0	10.4
84811-524	84811-724	2	50	24	600	48	30000	352	340	82	123	26.0	11.8
84821-504	84821-704	4	100	4	100	16	10000	117	113	93	140	14.0	6.4
84821-506	84821-706	4	100	6	150	24	15000	176	170	97	146	16.0	7.3
84821-508	84821-708	4	100	8	200	32	20000	235	226	99	150	18.0	8.2
84821-512	84821-712	4	100	12	300	48	30000	352	340	101	153	21.0	9.5
84821-516	84821-716	4	100	16	400	64	40000	470	453	106	160	24.0	10.9
84821-518	84821-718	4	100	18	450	72	45000	529	510	115	173	25.0	11.3
84821-520	84821-720	4	100	20	500	80	50000	588	566	120	180	27.0	12.2
84821-524	84821-724	4	100	24	600	96	60000	705	680	123	186	30.0	13.6
84821-528	84821-728	4	100	28	700	112	70000	823	793	127	192	31.0	14.1
84821-532	84821-732	4	100	32	800	128	80000	941	907	131	198	33.0	15.0
84821-536	84821-736	4	100	36	900	144	90000	1058	1020	135	204	34.0	15.4
84831-506	84831-706	6	150	6	150	36	22500	264	255	128	194	21.0	9.5
84831-508	84831-708	6	150	8	200	48	30000	352	340	132	200	22.0	10.0
84831-512	84831-712	6	150	12	300	72	45000	529	510	139	210	25.0	11.3
84831-516	84831-716	6	150	16	400	96	60000	705	680	141	213	28.0	12.7
84831-518	84831-718	6	150	18	450	108	67500	794	765	143	216	29.0	13.2
84831-520	84831-720	6	150	20	500	120	75000	882	850	146	221	31.0	14.1
84831-524	84831-724	6	150	24	600	144	90000	1058	1020	148	224	34.0	15.4
84831-528	84831-728	6	150	28	700	168	105000	1235	1190	150	227	37.0	16.8
84831-532	84831-732	6	150	32	800	192	120000	1411	1360	152	230	40.0	18.1
84831-536	84831-736	6	150	36	900	216	135000	1588	1530	154	233	43.0	19.5

Dimensions above are nominal. All trays are 118" (3000 mm), approximately 10'L (3 m).

Available outside of the US and Canada.

ORDERING INFORMATION

Splices

Use splices to connect cable trays together to form end-to-end junctions, turns or intersections. Splices are sold in multi-packs. A minimum of three splices are used for each connection. More splices are used on wider trays.

Standard Splice Kit



- Universal SpliceKit used to connect sections of wire mesh cable tray together end-to-end, at intersections and turns
- A minimum of three splices are required for every connection; wider trays require more splices
- Each splice includes two washers, an M6 bolt and nut
- The two washers wrap around adjacent wires on the tray connecting the tray together
- Sold individually or in packs of 50

Part Number		Description	Shipping Weight lb (kg)
Zinc	Black		
84738-501	84738-701	Standard Splice Kit, Each	1 (0.5)
84738-550	84738-750	Standard Splice Kit, 50 Pack	4 (1.8)

Spacer Splice Kit



- Enhanced version of the Standard Splice Kit used to connect sections of wire mesh cable tray together end-to-end, at intersections and turns
- A minimum of three splices are required for every connection; wider trays require more splices
- Each splice includes two washers (one with spacer tabs), an M6 bolt and nut
- The two washers wrap around adjacent wires on the tray connecting the tray together; a tab stamped into one washer keeps trays spaced evenly apart
- Sold individually or in packs of 50

Part Number		Description	Shipping Weight lb (kg)
Zinc	Black		
84728-501	84728-701	Spacer Splice Kit, Each	1 (0.5)
84728-550	84728-750	Spacer Splice Kit, 50 Pack	4 (1.8)

Splice Bar



- Used to connect and strengthen end-to-end connections of wire mesh cable tray and to make turns, risers and reducers
- Each splice includes the bar, three washers, three M6 bolts and nuts
- Recommended for all trays that are 18"W (450 mm) or wider
- Manufactured from steel
- Sold individually or in packs of 50

Part Number		Description	Shipping Weight lb (kg)
Zinc	Black		
84739-501	84739-701	Splice Bar, Each	1 (0.5)
84739-550	84739-750	Splice Bar, 50 Pack	16 (7.3)

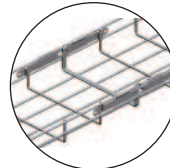
90° Splice Bar Kit



- Used to connect and strengthen intersections, tees and crosses of wire mesh cable tray
- Each splice includes the 90 degree bar, four washers, four M6 bolts and four nuts
- Recommended for all trays that are 18"W (450 mm) or wider
- Manufactured from steel
- Sold individually

Part Number		Description	Shipping Weight lb (kg)
Zinc	Black		
84740-501	84740-701	90° Splice Bar Kit	1 (0.5)

Spring Splice



- Boltless alternative to Standard Splice Kit
- Quick installation with included tool; no hardware required
- Used in combination with the Tool-Less Splice Kit to make boltless end-to-end connections of wire mesh cable tray
- Used on the sides of the tray, wraps around adjacent wires on the tray connecting the tray together
- Recommended for trays under 18"W (450 mm)
- Sold individually or in packs of 50

Part Number		Description	Shipping Weight lb (kg)
Zinc	Black		
84834-501	84834-701	Spring Splice, Each	1 (0.5)
84834-550	84834-750	Spring Splice, 50 Pack	7 (3.2)

Tool-Less Splice Kit



- Boltless alternative to Standard Splice Kit
- Used in combination with the Spring Splice to make boltless end-to-end connections of wire mesh cable tray
- Used on the bottom of the tray, wraps around adjacent wires on the tray connecting the tray together
- Recommended for trays under 18"W (450 mm)
- Sold individually or in packs of 50

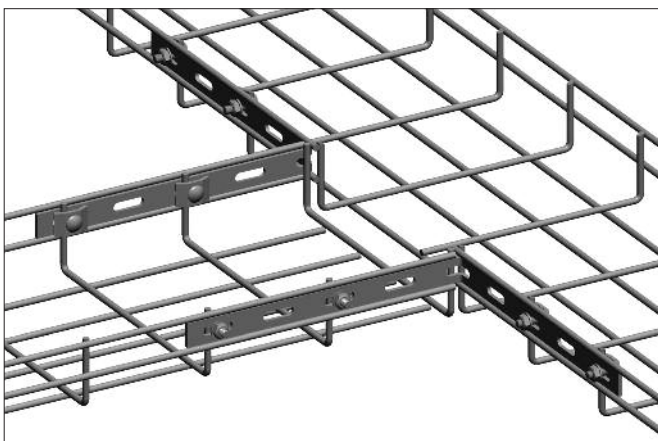
Part Number		Description	Shipping Weight lb (kg)
Zinc	Black		
84835-501	84835-701	Tool-Less Splice Kit, Each	1 (0.5)
84835-550	84835-750	Tool-Less Splice Kit, 50 Pack	4 (1.8)

Fast Lock

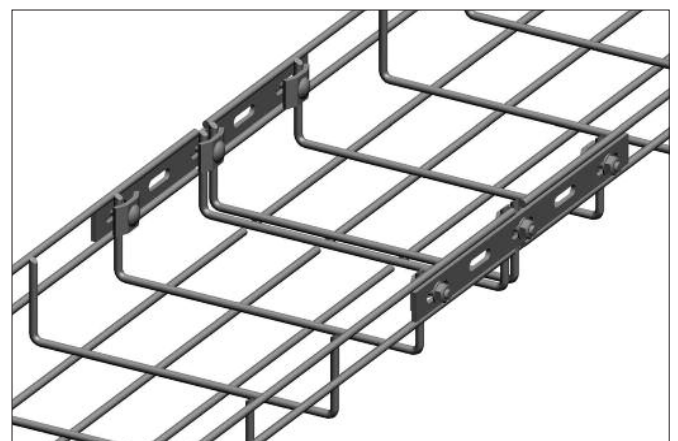


- Boltless alternative to Standard Splice Kit
- Used to make smooth turns in the tray with boltless connections
- Used on the sides of the tray, wraps around adjacent wires on the tray connecting the tray together
- Recommended for trays under 18"W (450 mm)
- Sold individually or in packs of 50

Part Number		Description	Shipping Weight lb (kg)
Zinc	Black		
84836-501	84836-701	Fast Lock, Each	1 (0.5)
84836-550	84836-750	Fast Lock, 50 Pack	2 (0.9)



90° Splice Bar (84740-X01) installed on GlobalTrac Wire Basket Tray.



Splice Bar (84739-X01) installed on GlobalTrac Wire Basket Tray.

ORDERING INFORMATION

Supports

Support GlobalTrac Wire Mesh Cable Tray from overhead threaded rod, from the wall or under raised floors using the following supports. Support cable tray every 1.5 m (5') or less on straight runs and on both sides of each turn, transition of within 0.6 m (2') of every splice or intersection. Refer to the cable tray order table for maximum safe working loads. Order installation hardware separately.



2" (50 mm) Tray Holder

- Ceiling support for 2"W (50 mm) cable tray
- Suspends tray from a single M10 threaded rod
- Order threaded rod and installation hardware separately
- Manufactured from steel
- Sold individually

Part Number		Description	Shipping Weight lb (kg)
Zinc	Black		
84729-501	84729-701	2" (50 mm) Tray Holder	1 (0.5)



Edge Hanger

- Used in pairs to support cable trays up to 12"W (300 mm) from the ceiling using M10 threaded rods
- Order threaded rods and installation hardware separately
- The side of the tray is supported in the two J-shaped hooks at the bottom of the hanger
- Manufactured from steel
- Sold individually or in packs of 50

Part Number		Description	Shipping Weight lb (kg)
Zinc	Black		
84731-501	84731-701	Edge Hanger, Each	1 (0.5)
84731-550	84731-750	Edge Hanger, 50 Pack	5 (2.3)



Ceiling Bracket

- Used to hang wire mesh cable tray vertically from the ceiling
- Bracket attaches to the ceiling with M10 hardware
- Order installation hardware separately
- Manufactured from steel
- Sold individually

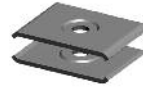
Part Number		Description	Shipping Weight lb (kg)
Zinc	Black		
84732-501	84732-701	Ceiling Bracket	1 (0.5)



Trapeze Support Bracket

- Used to support cable tray from the ceiling using a pair of M10 threaded rods
- Order threaded rods and installation hardware separately
- Tray slips into slots on the bar; fold tabs down to secure tray
- Manufactured from steel
- Sold individually

Part Number		Description	Shipping Weight lb (kg)
Zinc	Black		
84730-504	84730-704	For 4"W (100 mm) Tray	1 (0.5)
84730-506	84730-706	For 6"W (150 mm) Tray	1 (0.5)
84730-508	84730-708	For 8"W (200 mm) Tray	1 (0.5)
84730-512	84730-712	For 12"W (300 mm) Tray	2 (0.9)
84730-516	84730-716	For 16"W (400 mm) Tray	2 (0.9)
84730-518	84730-718	For 18"W (450 mm) Tray	2 (0.9)
84730-520	84730-720	For 20"W (500 mm) Tray	2 (0.9)
84730-524	84730-724	For 24"W (600 mm) Tray	2 (0.9)



Clamp Washer Kit

- Used to securely fasten two layers of wire mesh when connecting trays at 90-degree bends or intersections
- Each kit includes a pair of clamp washers
- Order M10 installation hardware separately
- Manufactured from steel
- Sold individually or in packs of 50

Part Number		Description	Shipping Weight lb (kg)
Zinc	Black		
84746-501	84746-701	Clamp Washer Kit, Each	1 (0.5)
84746-550	84746-750	Clamp Washer Kit, 50 Pack	5 (2.3)



M Shape Bar

- Used to support cable tray from the ceiling using a pair of M10 threaded rods
- Order threaded rods and installation hardware separately
- Tray slips into slots on the bar; fold tabs down to secure tray
- Manufactured from steel
- Sold individually

Part Number		Description	Shipping Weight lb (kg)
Zinc	Black		
84735-504	84735-704	For 4"W (100 mm) Tray	1 (0.5)
84735-506	84735-706	For 6"W (150 mm) Tray	1 (0.5)
84735-508	84735-708	For 8"W (200 mm) Tray	1 (0.5)
84735-512	84735-712	For 12"W (300 mm) Tray	2 (0.9)
84735-516	84735-716	For 16"W (400 mm) Tray	2 (0.9)
84735-518	84735-718	For 18"W (450 mm) Tray	2 (0.9)
84735-520	84735-720	For 20"W (500 mm) Tray	2 (0.9)
84735-524	84735-724	For 24"W (600 mm) Tray	3 (1.4)



U Channel Bar Kit

- Used to support cable tray from the ceiling using a pair of M10 threaded rods
- Order threaded rods and installation hardware separately
- Tray secures to U channel with included spring nut and clip hardware
- Manufactured from steel
- Sold individually

Part Number		Description	Shipping Weight lb (kg)
Zinc	Black		
84736-504	84736-704	For 4"W (100 mm) Tray	3 (1.4)
84736-506	84736-706	For 6"W (150 mm) Tray	4 (1.8)
84736-508	84736-708	For 8"W (200 mm) Tray	4 (1.8)
84736-512	84736-712	For 12"W (300 mm) Tray	4 (1.8)
84736-516	84736-716	For 16"W (400 mm) Tray	4 (1.8)
84736-518	84736-718	For 18"W (450 mm) Tray	4 (1.8)
84736-520	84736-720	For 20"W (500 mm) Tray	4 (1.8)
84736-524	84736-724	For 24"W (600 mm) Tray	4 (1.8)
84736-528	84736-728	For 28"W (700 mm) Tray	5 (2.3)
84736-532	84736-732	For 32"W (800 mm) Tray	5 (2.3)
84736-536	84736-736	For 36"W (900 mm) Tray	5 (2.3)



Cantilever Wall Bracket

- Used to support cable tray against the wall
- Order M10 wall installation hardware separately
- Tray slips into slots on the bracket; fold tabs down to secure tray
- Manufactured from steel
- Sold individually

Part Number		Description	Shipping Weight lb (kg)
Zinc	Black		
84745-506	84745-706	For 6"W (150 mm) Tray	3 (1.4)
84745-508	84745-708	For 8"W (200 mm) Tray	3 (1.4)
84745-512	84745-712	For 12"W (300 mm) Tray	3 (1.4)
84745-516	84745-716	For 16"W (400 mm) Tray	4 (1.8)
84745-518	84745-718	For 18"W (450 mm) Tray	4 (1.8)
84745-520	84745-720	For 20"W (500 mm) Tray	4 (1.8)
84745-524	84745-724	For 24"W (600 mm) Tray	4 (1.8)



Spring Clip

- Used to secure tray to 1.6"W (41 mm) U-channel bar
- Order U-channel bar and installation hardware separately
- Clip is manufactured from steel
- Sold individually or in packs of 50

Part Number		Description	Shipping Weight lb (kg)
Zinc	Black		
84837-501	84837-701	Spring Clip, Each	1 (0.5)
84837-550	84837-750	Spring Clip, 50 Pack	2 (0.9)

ORDERING INFORMATION (Supports - continued from page 4)



Power Box Bracket

- Used to attach 2"W (50 mm) or 4"W (100 mm) cable tray to a wall or the floor
- Also used to attach an electrical junction box to the side of tray
- Order floor installation hardware or junction box separately
- Tray slips into slots on the bracket; fold tabs down to secure tray
- Manufactured from steel
- Sold individually

Part Number		Description	Shipping Weight lb (kg)
Zinc	Black		
84742-501	84742-701	Power Box Bracket	1 (0.5)



Floor Stand, 2"W (50 mm)

- Used to attach 2"W (50 mm) cable tray to the floor
- Order M10 floor installation hardware separately
- Tray slips into slots on the bracket; fold tabs down to secure tray
- Manufactured from steel
- Sold individually

Part Number		Description	Shipping Weight lb (kg)
Zinc	Black		
84812-502	84812-702	Floor Stand, 2"W (50 mm)	1 (0.5)



L Support Bracket

- Used to support cable tray against the wall
- Order M10 wall installation hardware separately
- Tray slips into slots on the bracket; fold tabs down to secure tray
- Manufactured from steel
- Sold individually

Part Number		Description	Shipping Weight lb (kg)
Zinc	Black		
84734-504	84734-704	For 4"W (100 mm) Tray	1 (0.5)
84734-506	84734-706	For 6"W (150 mm) Tray	2 (0.9)
84734-508	84734-708	For 8"W (200 mm) Tray	2 (0.9)
84734-512	84734-712	For 12"W (300 mm) Tray	2 (0.9)



Floor Stand, 4"W (100 mm)

- Used to attach 4"W (100 mm) cable tray to the floor
- Order M10 floor installation hardware separately
- Tray slips into slots on the bracket; fold tabs down to secure tray
- Manufactured from steel
- Sold individually

Part Number		Description	Shipping Weight lb (kg)
Zinc	Black		
84812-504	84812-704	Floor Stand, 4"W (100 mm)	1 (0.5)



Bridge Type Floor Stand

- Used to support cable tray from the floor
- Order M10 floor installation hardware separately
- Tray slips into slots on the bracket; fold tabs down to secure tray
- Manufactured from steel
- Sold individually

Part Number		Description	Shipping Weight lb (kg)
Zinc	Black		
84813-504	84813-704	For 4"W (100 mm) Tray	3 (1.4)
84813-506	84813-706	For 6"W (150 mm) Tray	4 (1.8)
84813-508	84813-708	For 8"W (200 mm) Tray	4 (1.8)
84813-512	84813-712	For 12"W (300 mm) Tray	4 (1.8)
84813-516	84813-716	For 16"W (400 mm) Tray	4 (1.8)
84813-518	84813-718	For 18"W (450 mm) Tray	5 (2.3)
84813-520	84813-720	For 20"W (500 mm) Tray	5 (2.3)
84813-524	84813-724	For 24"W (600 mm) Tray	5 (2.3)



Triangle Support Bracket

- Used to support cable tray against the wall
- Order M10 wall installation hardware separately
- Tray slips into slots on the bracket; fold tabs down to secure tray
- Manufactured from steel
- Sold individually

Part Number		Description	Shipping Weight lb (kg)
Zinc	Black		
84733-504	84733-704	For 4"W (100 mm) Tray	1 (0.5)
84733-506	84733-706	For 6"W (150 mm) Tray	1 (0.5)
84733-508	84733-708	For 8"W (200 mm) Tray	1 (0.5)
84733-512	84733-712	For 12"W (300 mm) Tray	2 (0.9)
84733-516	84733-716	For 16"W (400 mm) Tray	2 (0.9)
84733-518	84733-718	For 18"W (450 mm) Tray	2 (0.9)
84733-520	84733-720	For 20"W (500 mm) Tray	3 (1.4)
84733-524	84733-724	For 24"W (600 mm) Tray	3 (1.4)



Flag Type Floor Stand

- Used to support cable tray from the floor
- Order M10 floor installation hardware separately
- Stand is 12"H (300 mm); support adjusts in height
- Tray slips into slots on the bracket; fold tabs down to secure tray
- Manufactured from steel
- Sold individually

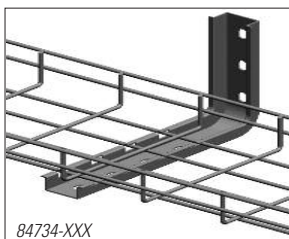
Part Number		Description	Shipping Weight lb (kg)
Zinc	Black		
84814-504	84814-704	For 4"W (100 mm) Tray	2 (0.9)
84814-506	84814-706	For 6"W (150 mm) Tray	2 (0.9)
84814-508	84814-708	For 8"W (200 mm) Tray	2 (0.9)
84814-512	84814-712	For 12"W (300 mm) Tray	3 (1.4)
84814-516	84814-716	For 16"W (400 mm) Tray	3 (1.4)
84814-518	84814-718	For 18"W (450 mm) Tray	4 (1.8)
84814-520	84814-720	For 20"W (500 mm) Tray	4 (1.8)
84814-524	84814-724	For 24"W (600 mm) Tray	4 (1.8)



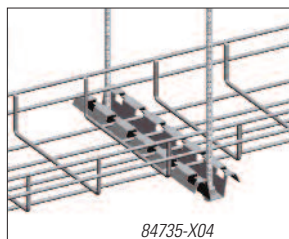
Pedestal Clamp Bracket

- Used to support cable tray up to 20"W (500mm) from a pair of adjacent raised floor pedestals
- Includes two Pedestal Clamps and a 22"L (550 mm) bracket
- Tray slips into slots on the bracket; fold tabs down to secure tray
- Manufactured from steel
- Sold individually

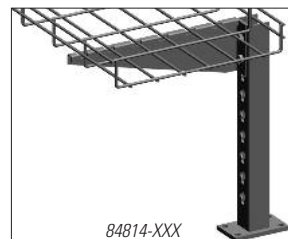
Part Number		Description	Shipping Weight lb (kg)
Zinc	Black		
84737-701	84737-701	Pedestal Clamp Bracket	3 (1.4)



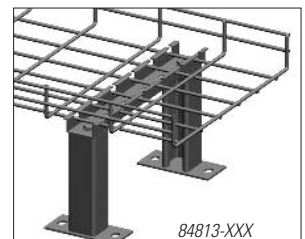
84734-XXX



84735-X04



84814-XXX



84813-XXX

ORDERING INFORMATION

Accessories

Cable management accessories to guide, separate and protect cables within cable tray, and grounding lugs to bond sections of tray together.



Radius Drop

- Used to support cable as it exits or enters the tray
- Tabs slip over tray wires; fold tabs down to secure to tray
- Manufactured from steel, 3.5"W (90 mm), 2" (50 mm) radius
- Sold individually

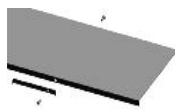
Part Number		Description	Shipping Weight lb (kg)
Zinc	Black		
84741-501	84741-701	Radius Drop	1 (0.5)



Cable Tray Divider

- Used to separate cables inside the tray
- Tabs slip over tray wires; fold tabs down to secure to tray
- Manufactured from steel, 39"L (1000 mm)
- Order three to support 118"L (3000 mm) section of tray
- Sold individually

Part Number		Description	Shipping Weight lb (kg)
Zinc	Black		
84743-502	84743-702	For 2"H (50 mm) Tray	2 (0.9)
84743-504	84743-704	For 4"H (100 mm) Tray	3 (1.4)
84743-506	84743-706	For 6"H (150 mm) Tray	4 (1.8)



Cable Tray Cover

- Used to cover trays and protect cable
- Tabs slip over tray wires; fold tabs down to secure to tray
- Manufactured from steel, 59"L (1500 mm)
- Order two to support 118"L (3000 mm) section of tray
- Sold individually, note length is less than tray

Part Number		Description	Shipping Weight lb (kg)
Zinc	Black		
84744-502	84744-702	For 2"W (50 mm) Tray	3 (1.4)
84744-504	84744-704	For 4"W (100 mm) Tray	4 (1.8)
84744-506	84744-706	For 6"W (150 mm) Tray	6 (2.7)
84744-508	84744-708	For 8"W (200 mm) Tray	7 (3.2)
84744-512	84744-712	For 12"W (300 mm) Tray	9 (4.1)
84744-516	84744-716	For 16"W (400 mm) Tray	12 (5.4)
84744-518	84744-718	For 18"W (450 mm) Tray	13 (5.9)
84744-520	84744-720	For 20"W (500 mm) Tray	15 (6.8)
84744-524	84744-724	For 24"W (600 mm) Tray	17 (7.7)



Cable Roller

- Pulley used during cable installation to ease tension when pulling cables around turns
- Attaches to the bottom of the tray with included bracket
- Manufactured from steel
- Sold individually

Part Number	Description	Shipping Weight lb (kg)
Zinc		
84815-501	Cable Roller, Electro-Zinc Plated	1 (0.5)



End Cap

- Used to cover and close the end of a tray and protect cable
- Tabs slip over tray wires; fold tabs down to secure to tray
- Manufactured from steel
- Sold individually

Part Number		Description	Shipping Weight lb (kg)
Zinc	Black		
For 2"H (50 mm) Tray			
84816-502	84816-702	For 2"W (50 mm) Tray	1 (0.5)
84816-504	84816-704	For 4"W (100 mm) Tray	1 (0.5)
84816-506	84816-706	For 6"W (150 mm) Tray	1 (0.5)
84816-508	84816-708	For 8"W (200 mm) Tray	1 (0.5)
84816-512	84816-712	For 12"W (300 mm) Tray	1 (0.5)
84816-516	84816-716	For 16"W (400 mm) Tray	1 (0.5)
84816-518	84816-718	For 18"W (450 mm) Tray	1 (0.5)
84816-520	84816-720	For 20"W (500 mm) Tray	1 (0.5)
84816-524	84816-724	For 24"W (600 mm) Tray	1 (0.5)
For 4"H (100 mm) Tray			
84817-504	84817-704	For 4"W (100 mm) Tray	1 (0.5)
84817-506	84817-706	For 6"W (150 mm) Tray	1 (0.5)
84817-508	84817-708	For 8"W (200 mm) Tray	1 (0.5)
84817-512	84817-712	For 12"W (300 mm) Tray	1 (0.5)
84817-516	84817-716	For 16"W (400 mm) Tray	1 (0.5)
84817-518	84817-718	For 18"W (450 mm) Tray	1 (0.5)
84817-520	84817-720	For 20"W (500 mm) Tray	1 (0.5)
84817-524	84817-724	For 24"W (600 mm) Tray	1 (0.5)
84817-528	84817-728	For 28"W (700 mm) Tray	1 (0.5)
84817-532	84817-732	For 32"W (800 mm) Tray	2 (0.9)
84817-536	84817-736	For 36"W (900 mm) Tray	2 (0.9)
For 6"H (150 mm) Tray			
84818-506	84818-706	For 6"W (150 mm) Tray	1 (0.5)
84818-508	84818-708	For 8"W (200 mm) Tray	1 (0.5)
84818-512	84818-712	For 12"W (300 mm) Tray	1 (0.5)
84818-516	84818-716	For 16"W (400 mm) Tray	1 (0.5)
84818-518	84818-718	For 18"W (450 mm) Tray	1 (0.5)
84818-520	84818-720	For 20"W (500 mm) Tray	1 (0.5)
84818-524	84818-724	For 24"W (600 mm) Tray	1 (0.5)
84818-528	84818-728	For 28"W (700 mm) Tray	1 (0.5)
84818-532	84818-732	For 32"W (800 mm) Tray	2 (0.9)
84818-536	84818-736	For 36"W (900 mm) Tray	2 (0.9)



Split Bolt Grounding Clamp

- Ground lug used to bond cable tray sections together
- Attaches to the cable tray and secures conductor against tray wire
- Two options: copper or copper plated
- Sold individually or in packs of 10

Part Number		Description	Shipping Weight lb (kg)
Each	Pack of 10		
84838-001	84838-010	For 3.5 to 5 mm diameter wires, copper	2 (0.9)
84838-002	84838-020	For 5.5 to 6 mm diameter wires, copper plated	3 (1.4)

Note: Shipping Weights are for the pack of 10.

