

# RMR® Flange-Mount Disconnect Enclosure, Standard Wall-Mount

RMR® Flange-Mount Disconnect Enclosure, Standard Wall-Mount, provide NEMA Type 4 or 4X protection for smaller electronic components and controls that require sturdy wall mounting. It is designed to house major brands of disconnect switches and circuit breakers.

## KEY FEATURES

- CPI Product Designer tool quickly configures a complete kit
- Continuous formed-in-place foam gasket technology
- Standard cutout on the right flange provides mounting for major brands of disconnect switches and circuit breakers
- Mechanical interlock ensures door(s) remain in the closed position when the disconnect switch is energized.
- Single or double door options with 3-point or ¼-turn latch and heavy-duty padlock defeater handle. Auxiliary ¼-turn latches are added on top and bottom of enclosures with doors that are 31"W (787 mm) or wider
- Single doors available with an optional tempered glass window
- 6 latch/lock combinations are available: 3-point or ¼-turn latch, keyed, double bit, square or slotted locks
- 2 wall-mounting methods: integrated mounting holes or welded mounting brackets
- Grounding and bonding studs and wire are included on doors and frame
- Powder-coated paint or stainless steel Type 304 in No. 4 brushed finish



## ADVANTAGES

- ➔ Continuous formed-in-place foam gasket technology and stainless steel option to meet NEMA Type 4 or 4X protection ratings
- ➔ CPI Product Designer, free online configurator, allows quick selection of sizes and design configurations to match most requirements
- ➔ Solid, removable mounting plate (ordered separately) provides maximum mounting space for electrical controls and instrument equipment
- ➔ Various accessory options support indoor and outdoor use
- ➔ Stainless steel option provides NEMA Type 4X with high corrosion resistance

## SPECIFICATIONS

Description	Industrial control enclosure for use in indoor and outdoor applications. Protects equipment against the ingress of dust, lint and other debris, as well as varying levels of protection against liquids, including an option for an additional level of protection against corrosion
Industry Standards	<p>NEMA Type 4, for outdoor use, is mild steel and protects against dirt, rain, sleet, snow, splash and hose down with noncorrosive liquid. It also meets NEMA Type 1, 3, 5, 12; and NEMA Type 2 and 3R with drain hole.</p> <p>Type 4 Enclosures are:</p> <ul style="list-style-type: none"> <li>- UL Listed, Industrial Control Panel Enclosures, Type 1, 2, 3, 3R, 4, 5 and 12; File Number NITW.E473128</li> <li>- UL Listed, Industrial Control Panel Enclosures for Canada, Type 1, 2, 3, 3R, 4, 5 and 12, File NITW7.E473128</li> <li>- UL Classified to IP 66 Degrees of Protection by Enclosures Certified to IEC Publication, EOfI.E486325 RoHS, REACH</li> </ul> <p>NEMA Type 4X, for outdoor or indoor use, is stainless steel and protects against dirt, rain, sleet, snow, splashing and hose-directed water, along with an increased level of corrosion protection. It also meets NEMA Type 1, 3, 3X, 5, and 12 and NEMA Type 2, 3R, and 3RX with drain hole.</p> <ul style="list-style-type: none"> <li>- NEMA Type 4X Enclosures are stainless steel Type 304 in No. 4 brushed finish</li> </ul>
Overall Dimensions	Specific to each enclosure; see ordering information on following pages

Availability: US, Canada, Latin America, Europe and Middle East

### US & Canada

+1-800-834-4969  
 Toronto, Ontario, Canada  
 +905-850-7770  
 chatsworth.com  
 techsupport@chatsworth.com

### Latin America

+52-55-5203-7525  
 Toll Free within Mexico  
 01-800-01-7592  
 chatsworth.com.co

### Europe

+44-1628-524-834  
 chatsworth.com

### Middle East & Africa

Dubai, UAE  
 +971-4-2602125  
 chatsworth.ae

### Asia Pacific

+86 21 6880-0266  
 chatsworth.com.cn



CHATSWORTH  
 PRODUCTS

SPECIFICATIONS

Materials and Construction	<p>Frame:</p> <ul style="list-style-type: none"> <li>- Welded, mild-steel or stainless steel frame</li> <li>- Standard cutout on right flange provides mounting for most types of disconnects switches and circuit breakers</li> <li>- Integrated mounting holes or welded mounting brackets</li> <li>- Optional solid, removable mounting plate (ordered separately)</li> </ul>
	<p>Door:</p> <ul style="list-style-type: none"> <li>- Solid or tempered glass, single or double</li> <li>- 3-point or ¼-turn latch. Auxiliary ¼-turn latches are included on top and bottom of enclosures with doors that are 31"W (787 mm) or wider</li> <li>- Black powder-coated, zinc die cast, heavy-duty padlock defeater handle</li> <li>- Bonding stud and wire included</li> <li>- Concealed hinges</li> </ul>
Finishes	<p>Sealing: Continuous formed-in-place foam gaskets</p> <p>Mild-steel enclosures are painted Hammer Gray (RAL 7035), Gray ANSI 61, Black or stainless steel type 304 in No. 4 brushed finish. Additional finish options available upon request</p>
	<p>Compliance</p> <p>NEMA Type 1, 2, 3, 3R, 4, 4X, 5 and 12 IP 55 and IP 66</p>
Installation	<p>Attaches to wall through integrated mounting holes or welded mounting brackets</p> <p>Lag bolts and sealing washers included</p>

NEMA Type 4 or 4X Ratings for Any Location

The RMR Flange-Mount Disconnect Enclosure, Standard Wall-Mount, features a welded steel or stainless steel frame with continuous formed-in-place foam gaskets, which maintain the enclosure's NEMA Type protection ratings.

Mount equipment into the enclosure with mounting plates (ordered separately). The removable mounting plates attach to the rear of the enclosure. Use the optional Swing-Out Kit for RMR Mounting Plate (ordered separately) to install the mounting plate at the front of the enclosure.

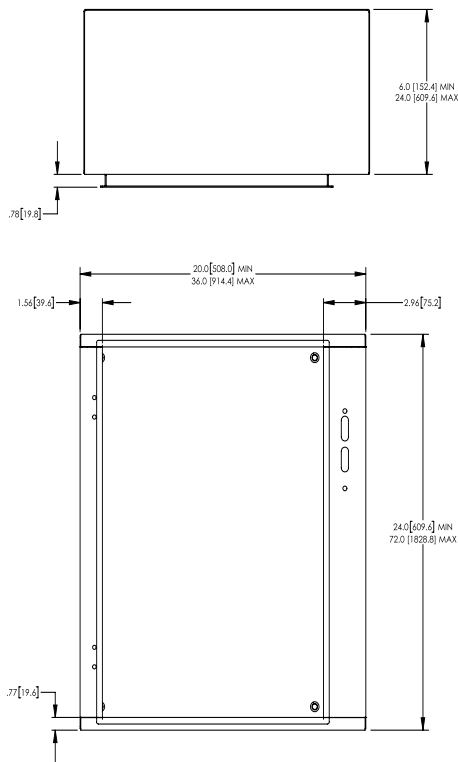
The enclosure can be configured with solid single or double doors. Tempered glass options are available.

NEMA Type 4 and 4X enclosures with double doors feature a removable center beam to maintain sealing performance between doors. Remove the center beam to conveniently mount large equipment onto the mounting plate, or to install the mounting plate with preinstalled equipment onto the frame.

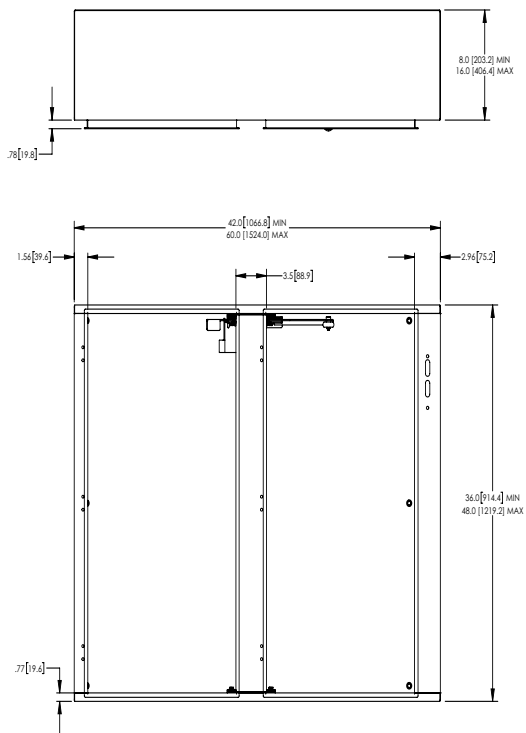
To attach the enclosure to the wall, use mounting holes or mounting brackets.

DIMENSIONS

RMR Flange-Mount Disconnect Enclosure, Standard Wall-Mount, Type 4 or 4X with Single Door (Series A33, mild steel; Series A73, stainless steel)



RMR Flange-Mount Disconnect Enclosure, Standard Wall-Mount, Type 4 or 4X with Solid Double Door (Series A34, mild steel; Series A74, stainless steel)

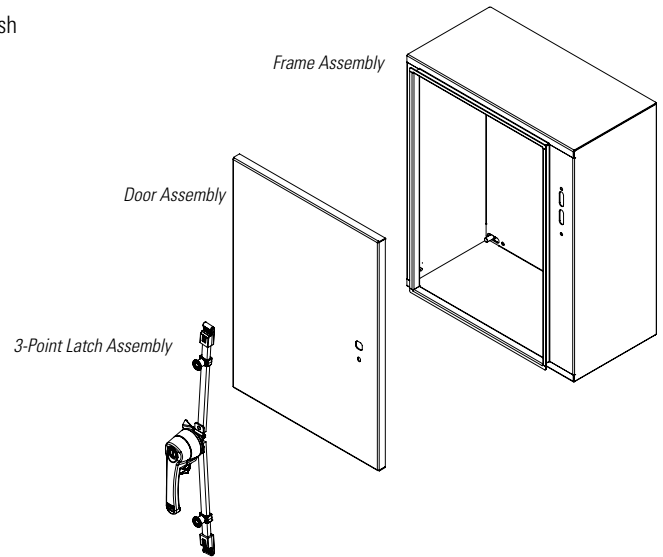


ORDERING INFORMATION

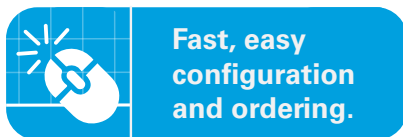
**RMR Flange-Mount Disconnect Enclosure, Standard Wall-Mount, Type 4 or 4X with Single Door**

NEMA Type 4 or 4X enclosures are for either indoor or outdoor use and protect against dirt, rain, sleet, snow, splash and hose down with liquids. Stainless steel enclosures provide Type 4X protection ratings with an increased level of corrosion resistance.

- Designed for NEMA Type 4 or 4X applications. Also meets NEMA Type 1, 2, 3, 5 and 3R with drain hole (hole must be between 1/8" to 1/4" (3 mm - 6 mm))
- Stainless steel enclosures provide Type 4X protection ratings with an increased level of corrosion resistance.
- Solid or tempered glass single door.
- 2 latch styles: 3-point mechanism and ¼-turn latch. Auxiliary ¼-turn latches are added on top and bottom of enclosures with doors that are 31"W (787 mm) or wider
- 4 lock styles: keyed CH751, double bit and square on 3-point latches; double bit, square and slotted on ¼-turn latches
- 2 mounting methods: integrated mounting hole or welded mounting bracket
- Min and max height: 24"H – 72"H (305 mm - 1829 mm)
- Min and max widths: 20"W – 36"W (254 mm - 914 mm)
- Min and max depths: 6"D – 24"D (152 mm - 610 mm)
- UL Listed Type 4 enclosures available in welded, mild-steel enclosure with powder-coat paint finish in: Gray ANSI 61, Hammer Gray RAL7035 and Black.
- NEMA Type 4X enclosures are available in stainless steel Type 304 in No. 4 brushed finish
- Series A33, mild steel, and Series A73, stainless steel, families of enclosures



Additional Sizes Available Online



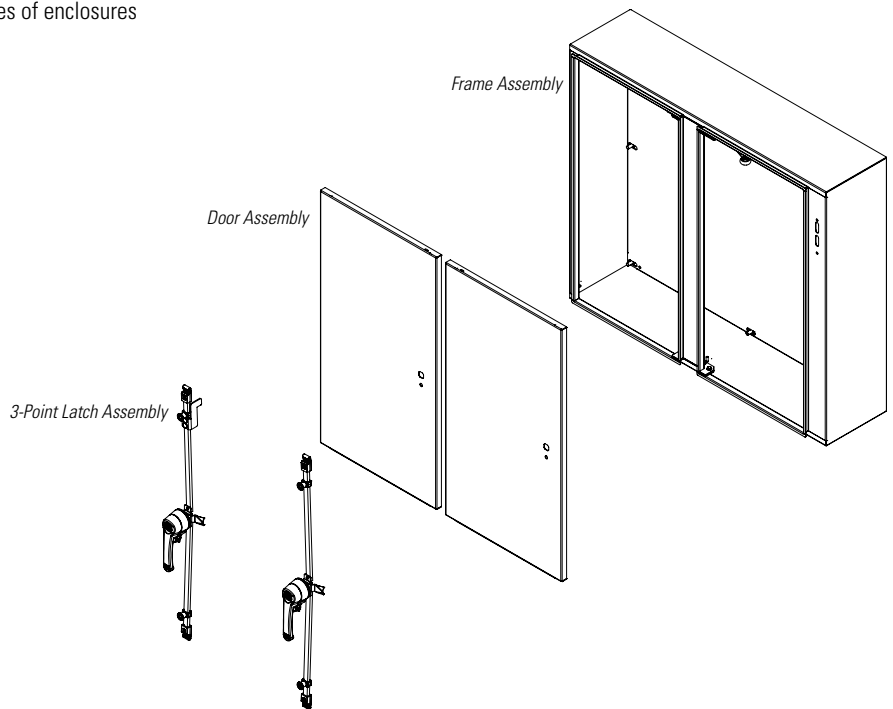
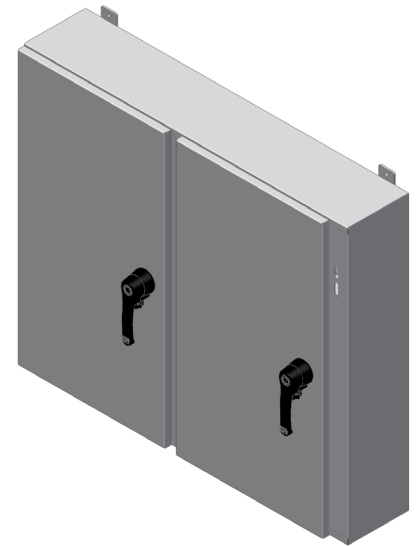
CPI Product Designer creates unique industrial enclosures quickly and easily by allowing you to select the size, features and accessories needed for a specific application. Access this tool at [www.chatsworth.com/product-designer](http://www.chatsworth.com/product-designer).

**ORDERING INFORMATION**

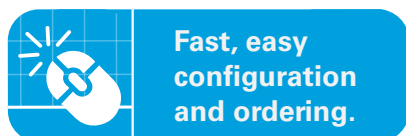
**RMR Flange-Mount Disconnect Enclosure, Standard Wall-Mount, Type 4 or 4X with Solid Double Door**

NEMA Type 4 or 4X enclosure is for outdoor use and protects against dirt, rain, sleet, snow, splash and hose down with liquid. Stainless steel enclosures provide Type 4X protection ratings with an increased level of corrosion resistance.

- Designed for NEMA 4 or 4X applications. Also meets NEMA Type 1, 2, 3, 5, 12 and 3R with drain hole (hole must be between 1/8" to 1/4" (3 mm - 6 mm))
- Standard cutout accepts most standard disconnect handles
- Solid double doors and center beam. Removable center beam provides convenient installation of mounting plate
- 4 lock styles: keyed CH751, double bit, square and slotted
- 2 latch styles: 3-point and ¼-turn. Auxiliary ¼-turn latches are added on top and bottom of enclosures that are 31"W (787 mm) or wider
- 2 mounting methods: integrated mounting hole or welded mounting bracket
- Min and max height: 38"H – 48"H (610 mm - 1219 mm)
- Min and max widths: 42"W – 60"W (1667 mm - 1524 mm)
- Min and max depths: 8"D – 16"D (203 mm - 406 mm)
- UL Listed Type 4 enclosures are available in powder-coat paint in: Gray ANSI 61, Hammer Gray RAL703 and Black. NEMA Type 4X enclosures are available in stainless steel Type 304 in No.4 brushed finish
- Series A34, mild steel, and Series A74, stainless steel, families of enclosures



**Additional Sizes Available Online**

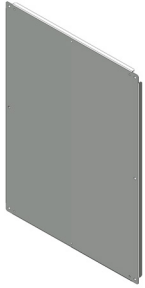


CPI Product Designer creates unique industrial enclosures quickly and easily by allowing you to select the size, features and accessories needed for a specific application. Access this tool at [www.chatsworth.com/product-designer](http://www.chatsworth.com/product-designer).

GENERAL ACCESSORIES



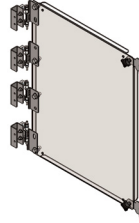
Use the Product Designer to add accessories to your enclosure, or order them separately as shown below. Go to [www.chatsworth.com/product-designer](http://www.chatsworth.com/product-designer) to select your RMR Industrial Enclosure.



**Solid Mounting Plates**

Solid Mounting Plates are solid metal panels that are installed at the rear of the enclosure frame. A variety of network, automation and control equipment devices can be installed onto the mounting plate for flexible support configurations.

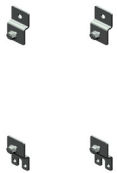
Go to the CPI Product Designer to get the right mounting plate size automatically specified for you.



**Swing-Out Plate Mounting Kit**

The Swing-Out Plate Mounting Kit installs at the front of the enclosures and converts a standard mounting plate into a swing-out mounting plate (ordered separately). The Kit includes brackets, hinges and mounting hardware that attach to the front of the enclosure to allow easy access to electronic components.

Go to the CPI Product Designer to get the right mounting plate size automatically specified for you.



**Mounting Bracket Kit for RMR Standard Wall-Mount Enclosure**

The Mounting Bracket Kit mounts RMR Standard Wall-Mount Cabinets to the wall.

- Includes 4 brackets and screws
- Required for NEMA Type 4 and Type 4X applications

Part Number	Shipping Weight lb (kg)
DF0024-000000-X01, mild steel	1 (0.5)
DF0063-000000-401, stainless steel	1 (0.5)

X=Color; G=Hammer Gray, H=Gray ANSI 61



**RMR Enclosure Grounding and Bonding Kit**

The RMR Enclosure Grounding and Bonding Kit adds additional bonding capacity to the enclosure or to bond the optional mounting plate to the enclosure.

- Includes jumpers and hardware
- Compatible with RMR Floor-Mount, RMR Free-Standing and RMR Standard Wall-Mount Enclosures

Part Number	Shipping Weight lb (kg)
DF0023-000000-001	0.5 (0.2)



**RMR Enclosure Threaded Drain Plug Kit**

The RMR Enclosure Threaded Drain Plug Kit allows accumulated or condensed water to drain out the bottom of the enclosure. The drain plugs vent air out of the enclosures, helping to equalize air pressure. Install drains at the bottom of the enclosures.

- Kit includes vent drain, mesh and retaining nut
- Compatible with all RMR Enclosures

Part Number	Shipping Weight lb (kg)
DF0025-000000-001	1 (0.5)

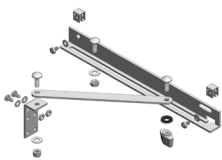


**RMR Enclosure XL Polyvent Protective Vent Kit**

The RMR Enclosure XL Polyvent Protective Vent Kit provides ventilation and equalizes air pressure in the event of drastic temperature changes. Pressure equalization is essential to protect the enclosure seal from damage. Installation hardware included.

- Kit includes vent and retaining nut
- Compatible with all RMR Enclosures

Part Number	Shipping Weight lb (kg)
DF0028-000000-001	0.5 (0.2)



**RMR Enclosure Door Stop Kit**

The RMR Enclosure Door Stop Kit secures the door of the enclosure in the open position. It can be mounted on either left- or right-hinged doors. Includes mounting hardware.

- Kit includes door stop and mounting hardware
- Compatible with RMR Floor-Mount, RMR Free-Standing and RMR Standard Wall-Mount Enclosures

Part Number	Shipping Weight lb (kg)
DF0022-000000-001	4 (2.2)



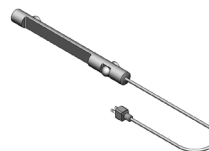
DF0030-000000-001

**LED Light Kit**

The LED Light Kit provides additional lighting inside the enclosure.

- 2 types available: On-off switch or motion sensor
- Voltage: 100 - 240 V, 50/60 Hz
- NEMA 1-15P power cord

Part Number	Description	Shipping Weight lb (kg)
DF0030-000000-001	On-off Switch	0.5 (0.2)
DF0031-000000-001	Motion Sensor	0.5 (0.2)



DF0031-000000-001



**RMR Enclosure Drip Shield Assembly**

Required to meet NEMA Type 3R when using a NEMA Type 12 enclosure. It is used to provide additional protection against ice and rain.

Go to CPI Product Designer to configure an RMR Enclosure with Drip Shield Assembly.

Interested in learning more about our RMR Industrial Enclosures? Call us at 800-834-4969, or email Technical Support at [techsupport@chatsworth.com](mailto:techsupport@chatsworth.com).