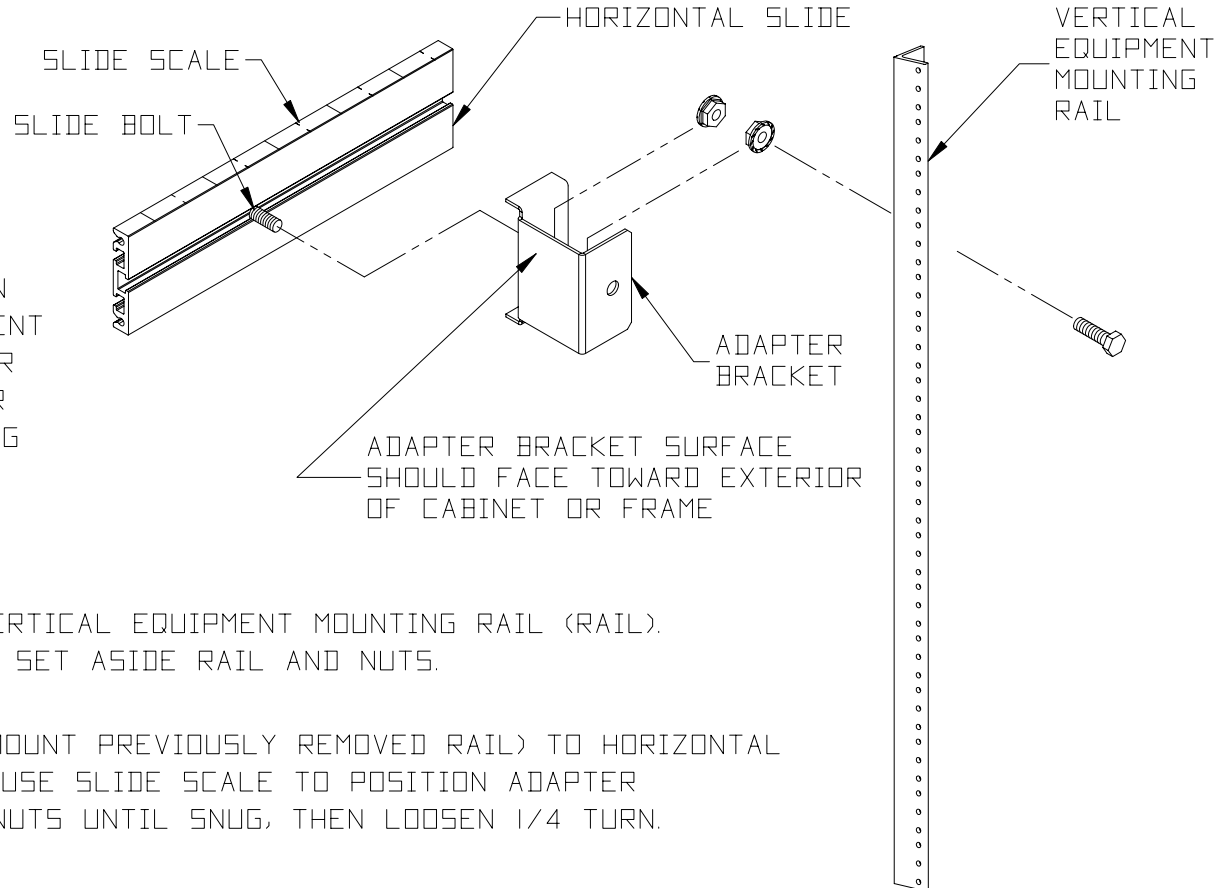




5/16-18 SERRATED
FLANGE NUT
P/N 025-903006-009



5/16-18 X 7/8 HEX
HEAD CAP SCREW
P/N 025-902004-024



NOTE: EXTRA SLIDE BOLTS ARE INCLUDED IN EACH HORIZONTAL SLIDE. FOR YOUR EQUIPMENT MOUNTING ARRANGEMENT, DETERMINE WHETHER EXTRA SLIDE BOLTS SHOULD BE INBOARD OR OUTBOARD OF VERTICAL EQUIPMENT MOUNTING RAILS. IF IN DOUBT, POSITION EXTRA SLIDE BOLTS INBOARD OF RAILS.

STEP 1

USE SLIDE SCALE TO NOTE LOCATION OF VERTICAL EQUIPMENT MOUNTING RAIL (RAIL). REMOVE RAIL FROM CABINET OR FRAME, AND SET ASIDE RAIL AND NUTS.

STEP 2

ATTACH ADAPTER BRACKETS (REQUIRED TO MOUNT PREVIOUSLY REMOVED RAIL) TO HORIZONTAL SLIDES USING NUTS SET ASIDE AT STEP 1. USE SLIDE SCALE TO POSITION ADAPTER BRACKETS IN CORRECT LOCATION. TIGHTEN NUTS UNTIL SNUG, THEN LOOSEN 1/4 TURN.

STEP 3

ATTACH RAIL (SET ASIDE AT STEP 1) TO ADAPTER BRACKETS USING 5/16-18 SCREWS AND NUTS SUPPLIED IN KIT. TIGHTEN NUTS UNTIL HAND TIGHT. USE SLIDE SCALE TO RECHECK LOCATION OF ADAPTER BRACKETS AND RAIL, THEN TIGHTEN BRACKET-TO-SLIDE NUTS AND BRACKET-TO-RAIL NUTS. TIGHTEN NUTS UNTIL SNUG, THEN TIGHTEN AN ADDITIONAL 1/4 TURN.

STEP 4

REPEAT STEPS 1 THRU 3 FOR EACH RAIL. APPLICATION MAY OR MAY NOT REQUIRE THE USE OF ALL HARDWARE PROVIDED.



INSTALLATION INSTR
23"-19" RAIL ADAPTER
KIT, MEGAFRAME CAB

THIS DRAWING CONTAINS INFORMATION PROPRIETARY TO CHATSWORTH PRODUCTS, INC. ANY REPRODUCTION, DISCLOSURE OR USE OF THIS DRAWING IS EXPRESSLY FORBIDDEN EXCEPT AS AGREED TO IN WRITING BY CHATSWORTH PRODUCTS, INC.