

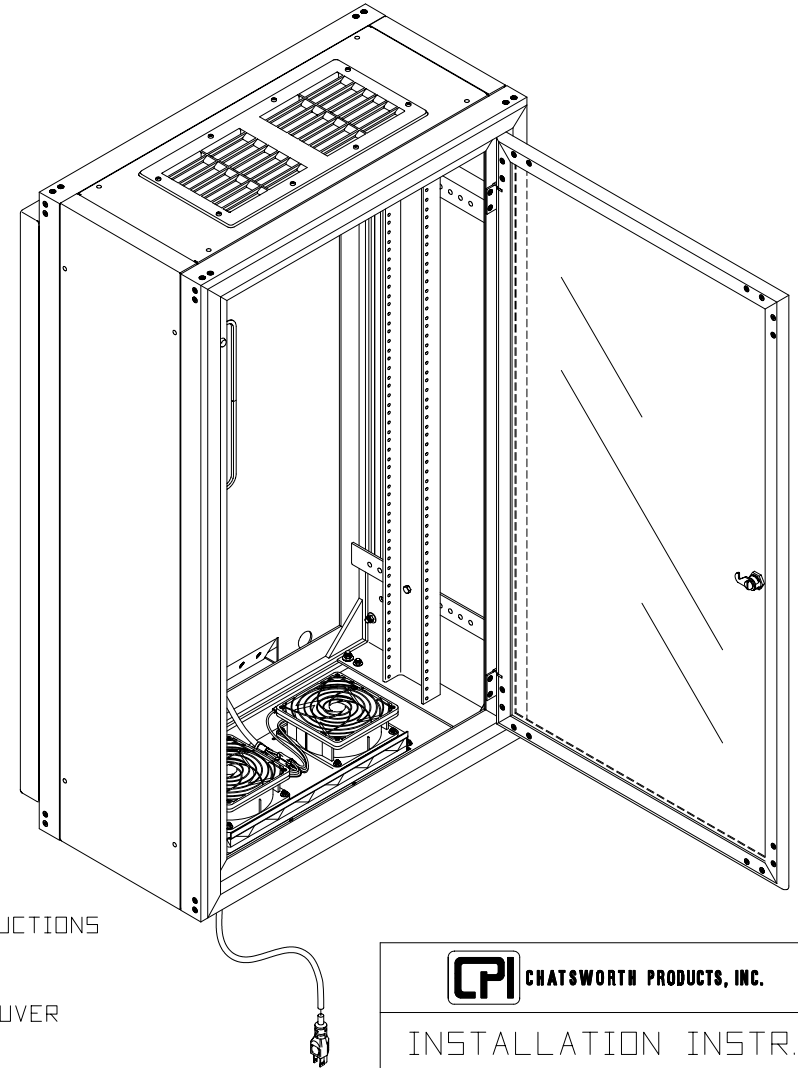
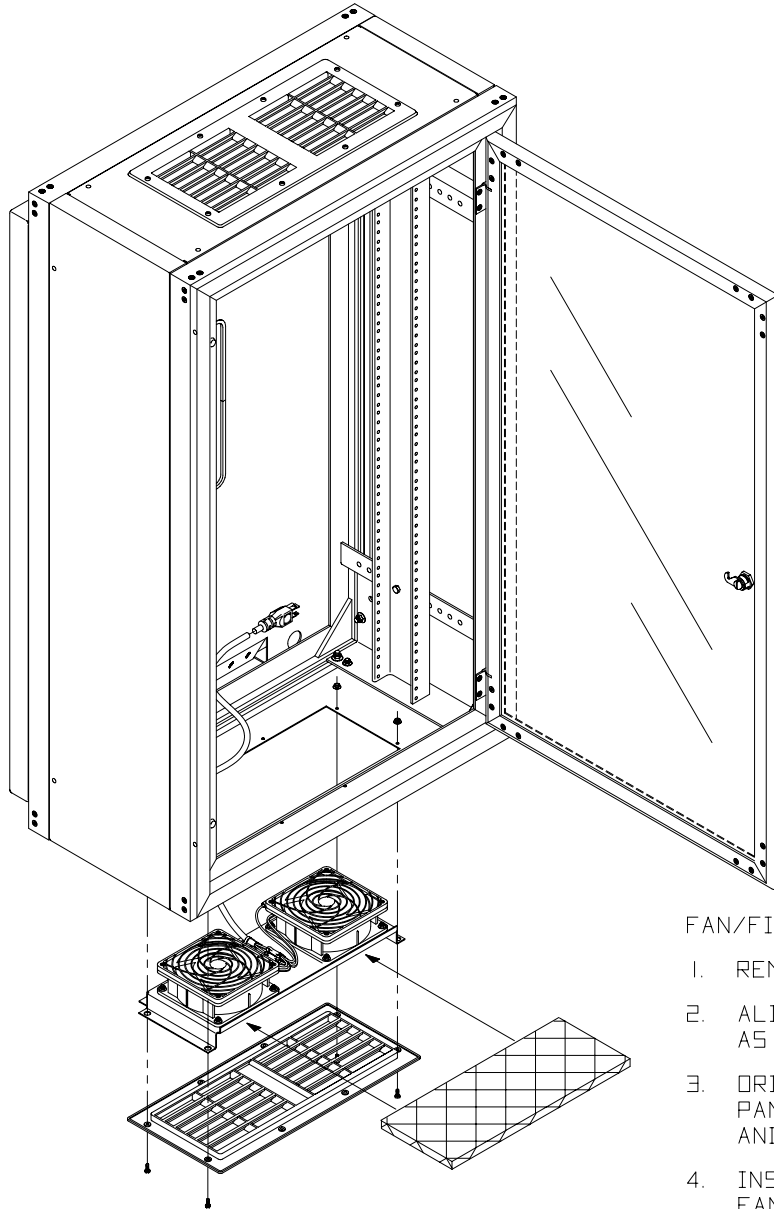
FAN/FILTER INSTALLATION INSTRUCTIONS

1. REMOVE LOUVER.
2. ALIGN FAN ASSEMBLY AND LOUVER AS ILLUSTRATED.
3. ORIENT ASSEMBLED UNIT IN SIDE PANEL, INSTALL REMAINING SCREWS AND NUTS AND TIGHTEN.
4. INSERT FILTER, STIFF SIDE TOWARD FAN.



INSTALLATION INSTR,
KIT - FAN/FILTER,
ENCLOSURE

THIS DRAWING CONTAINS INFORMATION PROPRIETARY TO CHATSWORTH PRODUCTS, INC. ANY REPRODUCTION, DISCLOSURE OR USE OF THIS DRAWING IS EXPRESSLY FORBIDDEN EXCEPT AS AGREED TO IN WRITING BY CHATSWORTH PRODUCTS, INC.



FAN/FILTER INSTALLATION INSTRUCTIONS

1. REMOVE LOWER LOUVER.
2. ALIGN FAN ASSEMBLY AND LOUVER AS ILLUSTRATED.
3. ORIENT ASSEMBLED UNIT IN LOWER PANEL, INSTALL REMAINING SCREWS AND NUTS AND TIGHTEN.
4. INSERT FILTER, STIFF SIDE TOWARD FAN.

 **CHATSWORTH PRODUCTS, INC.**

INSTALLATION INSTR.,
FAN/FILTER KIT,
WALL CABINET

THIS DRAWING CONTAINS INFORMATION PROPRIETARY TO CHATSWORTH PRODUCTS, INC. ANY REPRODUCTION, DISCLOSURE OR USE OF THIS DRAWING IS EXPRESSLY FORBIDDEN EXCEPT AS AGREED TO IN WRITING BY CHATSWORTH PRODUCTS, INC.