

\*\*\*CAUTION\*\*\*

A CLOGGED FILTER MAY RESULT IN INSUFFICIENT AIRFLOW THROUGH THE CABINET. INSUFFICIENT AIRFLOW CAN CAUSE THE INSTALLED EQUIPMENT TO EXCEED RATED OPERATING TEMPERATURE AND FAIL PREMATURELY. A PREVENTIVE MAINTENANCE PROGRAM MUST BE ESTABLISHED TO CHANGE THE FILTER ON A REGULAR SCHEDULE.

1. THESE INSTALLATION INSTRUCTIONS ARE FOR THE 12510 SERIES STANDARD FILTERED CABINET VENTILATION SYSTEM. IN THIS SYSTEM, THE FANS ARE MOUNTED TO THE CABINET TOP (FANS SOLD SEPARATELY) AND THE FILTER IS LOCATED AT THE BOTTOM OF THE CABINET. DIRECTION OF AIRFLOW INSIDE THE CABINET IS FROM BOTTOM TO TOP. THE TOP MOUNTED FANS PULL AIR THROUGH THE BOTTOM MOUNTED FILTER AND EXHAUST THE AIR OUT THE TOP OF THE CABINET.

NOTE: IF USING THIS FILTER KIT TO MAKE THE 12511 SERIES DELUXE FILTERED CABINET VENTILATION SYSTEM (WITH FANS AND FILTER BOTH LOCATED AT THE BOTTOM OF THE CABINET), DISCARD THESE INSTALLATION INSTRUCTIONS AND REFER TO THE INSTALLATION INSTRUCTIONS FOR THE 12506-001 FAN RETROFIT HOUSING.

2. EQUIPMENT INSTALLATION RESTRICTIONS - EQUIPMENT MUST NOT BE MOUNTED IN THE ONE RMU (RACK MOUNT UNIT) AT THE EXTREME TOP OF THE CABINET TO ALLOW CLEARANCE FOR FAN INTAKE AIR. SEE FIGURE 1. ALSO, EQUIPMENT MUST NOT BE MOUNTED IN THE ONE RMU AT THE EXTREME BOTTOM OF THE CABINET TO ALLOW CLEARANCE FOR THE AIR BEING PULLED THROUGH THE FILTER. SEE FIGURE 1.

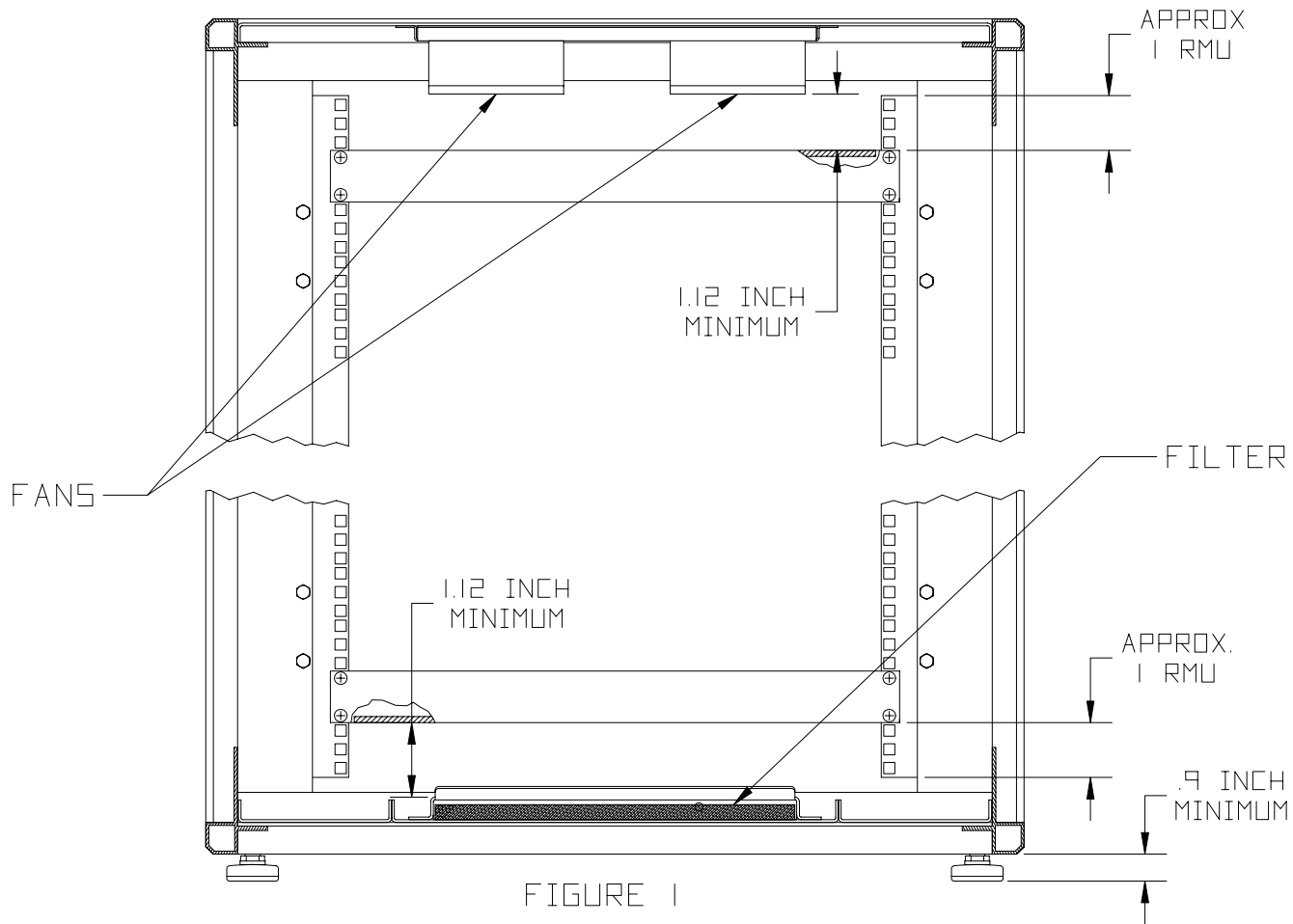
3. MINIMUM SPACE BELOW CABINET - CABINET LEVELING FEET MUST BE ADJUSTED TO PROVIDE A 0.9-INCH MINIMUM CLEARANCE UNDERNEATH THE CABINET (BETWEEN CABINET AND FLOOR) FOR PROPER AIRFLOW. IF CASTERS ARE INSTALLED, THE UNDER CABINET CLEARANCE WILL BE ADEQUATE. SEE FIGURE 1.

ECN PENDING  
M-1786



INSTALLATION INSTR.  
MEGAFRAME AIR FILTER  
KIT

THIS DRAWING CONTAINS INFORMATION PROPRIETARY TO CHATSWORTH PRODUCTS, INC. ANY REPRODUCTION, DISCLOSURE OR USE OF THIS DRAWING IS EXPRESSLY FORBIDDEN EXCEPT AS AGREED TO IN WRITING BY CHATSWORTH PRODUCTS, INC.



ECN PENDING  
M-1786



INSTALLATION INSTR.  
MEGAFRAME AIR FILTER  
KIT

THIS DRAWING CONTAINS INFORMATION PROPRIETARY TO CHATSWORTH PRODUCTS, INC. ANY REPRODUCTION DISCLOSURE OR USE OF THIS DRAWING IS EXPRESSLY FORBIDDEN EXCEPT AS AGREED TO IN WRITING BY CHATSWORTH PRODUCTS, INC.

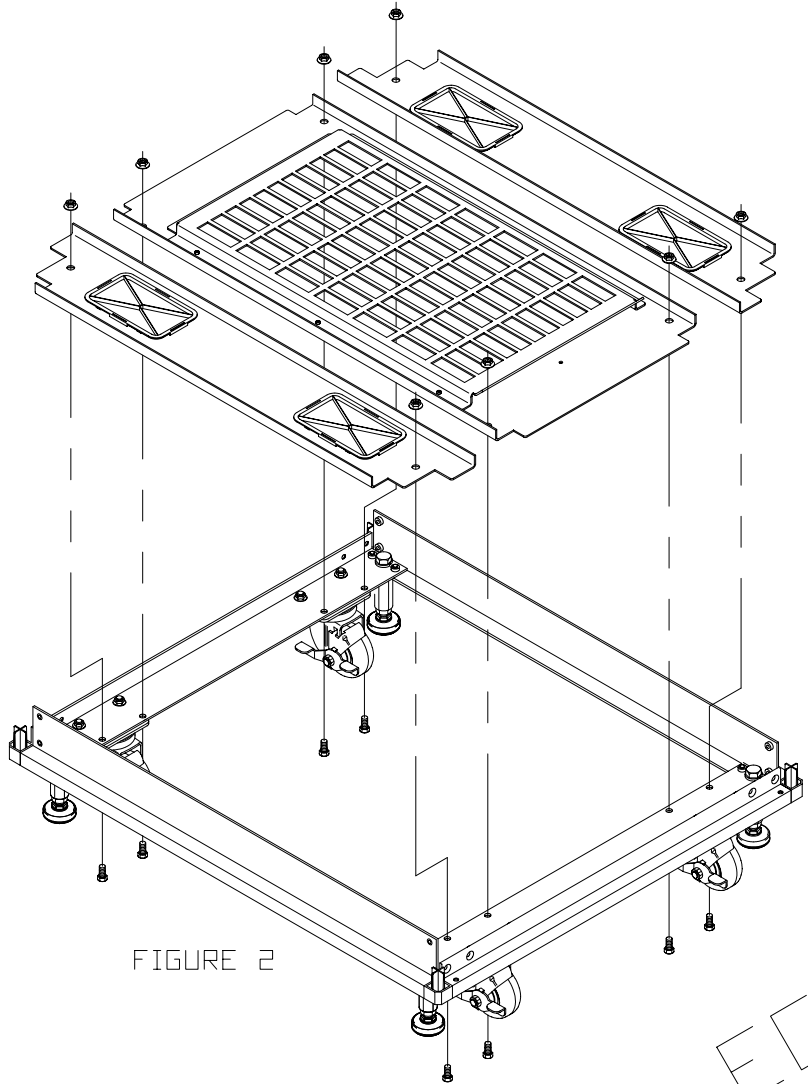


FIGURE 2

4. THE AIR FILTER KIT CAN BE INSTALLED WITH THE FILTER MEDIA ACCESSIBLE FROM THE FRONT OR REAR OF THE CABINET. DETERMINE DIRECTION OF AIR FILTER MEDIA REMOVAL PRIOR TO INSTALLING THE AIR FILTER KIT.
5. IF CASTERS ARE INSTALLED, REMOVE EIGHT INSIDE CASTER NUTS AND BOLTS, AS SHOWN IN FIGURE 2.
6. LAY IN FILTER PARTS AND FASTEN WITH HARDWARE PROVIDED OR WITH REMOVED CASTER HARDWARE, AS SHOWN IN FIGURE 3. IF CASTERS ARE NOT INSTALLED, USE 5/16-INCH SCREWS AND NUTS PROVIDED TO CLOSE EIGHT UNUSED CASTER MOUNTING HOLES.

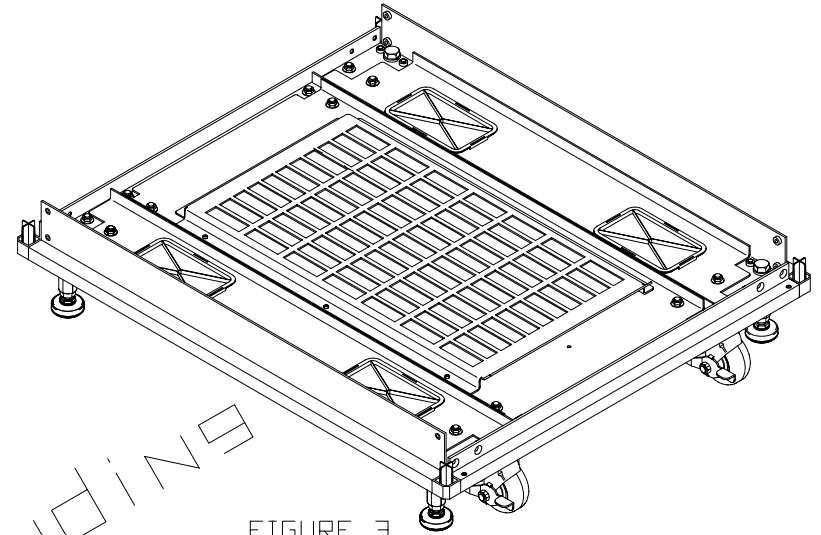


FIGURE 3

ECN PENDING  
M-1786

NOTE: FOR CLARITY, MEGAFRAME UPPER CABINET IS NOT SHOWN.

 CHATSWORTH PRODUCTS, INC.

INSTALLATION INSTR.  
MEGAFRAME AIR FILTER  
KIT

THIS DRAWING CONTAINS INFORMATION PROPRIETARY TO CHATSWORTH PRODUCTS, INC. ANY REPRODUCTION, DISCLOSURE OR USE OF THIS DRAWING IS EXPRESSLY FORBIDDEN EXCEPT AS AGREED TO IN WRITING BY CHATSWORTH PRODUCTS, INC.

NOTE: FOR CLARITY, MEGAFRAME UPPER CABINET IS NOT SHOWN

7. FILTER SLIDES INTO SLOT AS SHOWN IN FIGURE 4. INSTALL STIFF SIDE OF FILTER UP TOWARD FANS.
8. REMOVE PLUG FROM CABLE PUNCH-OUT PORT AND REPLACE WITH FOAM INSERT (P/N 12505-001, 2/PACK), AS SHOWN IN FIGURE 4.
9. FEED POWER AND OTHER CABLES THROUGH SLOT IN FOAM INSERT, AS SHOWN IN FIGURE 5.

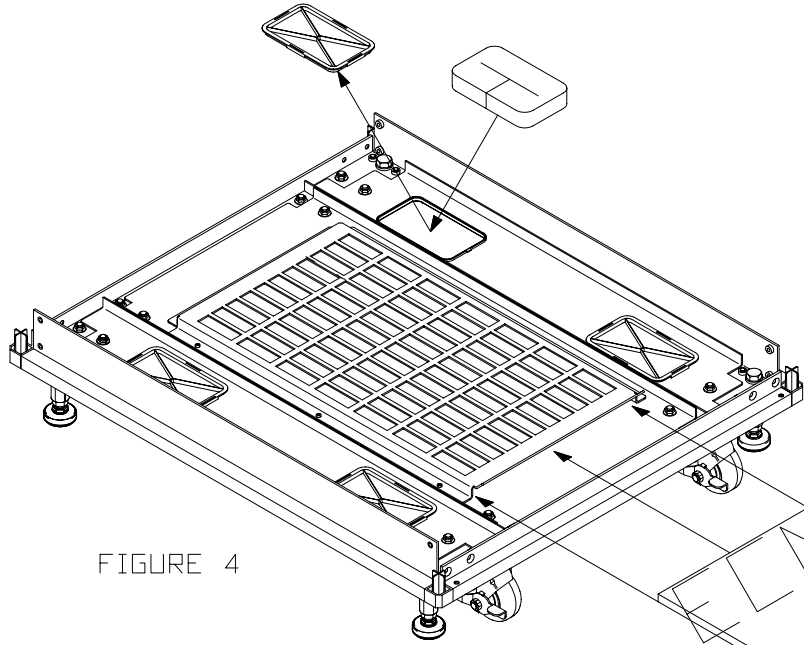


FIGURE 4

PENDING  
M-1786

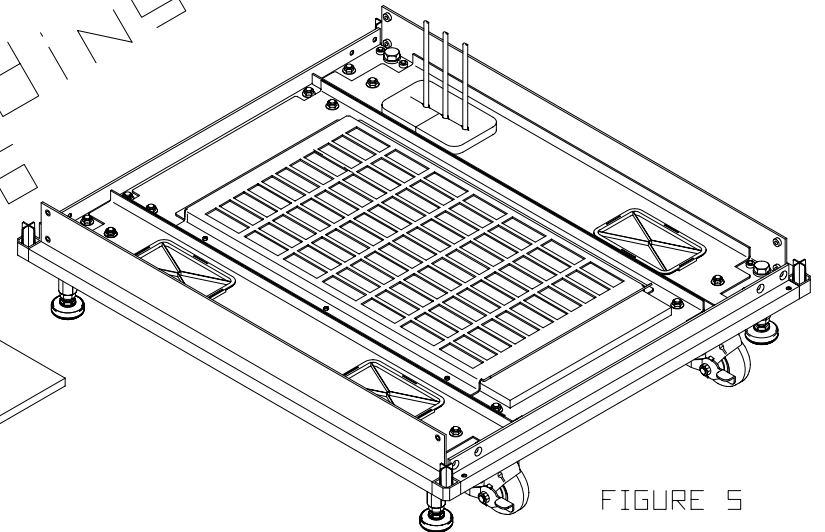
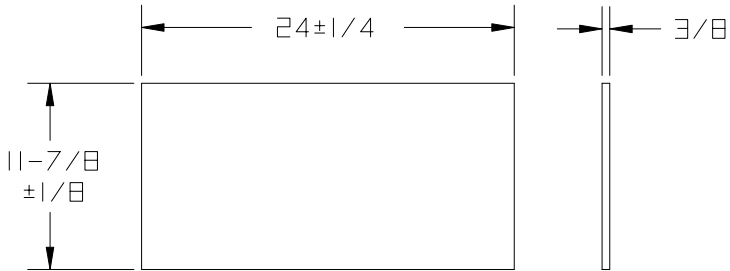


FIGURE 5



FILTER MEDIA SPECIFICATIONS

TRIM-TO-FIT SPUN FIBERGLASS FILTER MEDIA TREATED TO BE RIGIDIZED BUT STILL FLEXIBLE.

FILTER  
(P/N 12507-001, 6/PACK)  
STIFF SIDE UP



INSTALLATION INSTR.  
MEGAFRAME AIR FILTER  
KIT

THIS DRAWING CONTAINS INFORMATION PROPRIETARY TO CHATSWORTH PRODUCTS, INC. ANY REPRODUCTION, DISCLOSURE OR USE OF THIS DRAWING IS EXPRESSLY FORBIDDEN EXCEPT AS AGREED TO IN WRITING BY CHATSWORTH PRODUCTS, INC.