

CAUTION

A CLOGGED FILTER MAY RESULT IN INSUFFICIENT AIRFLOW THROUGH THE CABINET. INSUFFICIENT AIRFLOW CAN CAUSE THE INSTALLED EQUIPMENT TO EXCEED RATED OPERATING TEMPERATURE AND FAIL PREMATURELY. A PREVENTIVE MAINTENANCE PROGRAM MUST BE ESTABLISHED TO CHANGE THE FILTER ON A REGULAR SCHEDULE.

1. THESE INSTALLATION INSTRUCTIONS ARE FOR THE 12511 SERIES DELUXE FILTERED CABINET VENTILATION SYSTEM WITH FANS AND FILTER BOTH LOCATED AT THE BOTTOM OF THE CABINET. THE FANS PULL FILTERED AIR IN AND FORCE IT THROUGH THE CABINET, CREATING A "POSITIVE PRESSURE" SYSTEM. DIRECTION OF AIRFLOW INSIDE THE CABINET IS FROM BOTTOM TO TOP. AIR EXHAUSTS OUT THE TOP OF THE CABINET THROUGH LOUVERED VENTS.
2. EQUIPMENT INSTALLATION RESTRICTIONS - EQUIPMENT MUST NOT BE MOUNTED IN TWO RMU'S (RACK MOUNT UNITS) AT THE EXTREME BOTTOM OF THE CABINET TO ALLOW 1.12-INCH MINIMUM CLEARANCE FOR THE FAN EXHAUST AIR. SEE FIGURE 1.
3. MINIMUM SPACE BELOW CABINET - CABINET LEVELING FEET MUST BE ADJUSTED TO PROVIDE A .9-INCH MINIMUM CLEARANCE UNDERNEATH THE CABINET (BETWEEN CABINET AND FLOOR) FOR PROPER AIRFLOW. IF CASTERS ARE INSTALLED, THE UNDER CABINET CLEARANCE WILL BE ADEQUATE. SEE FIGURE 1.

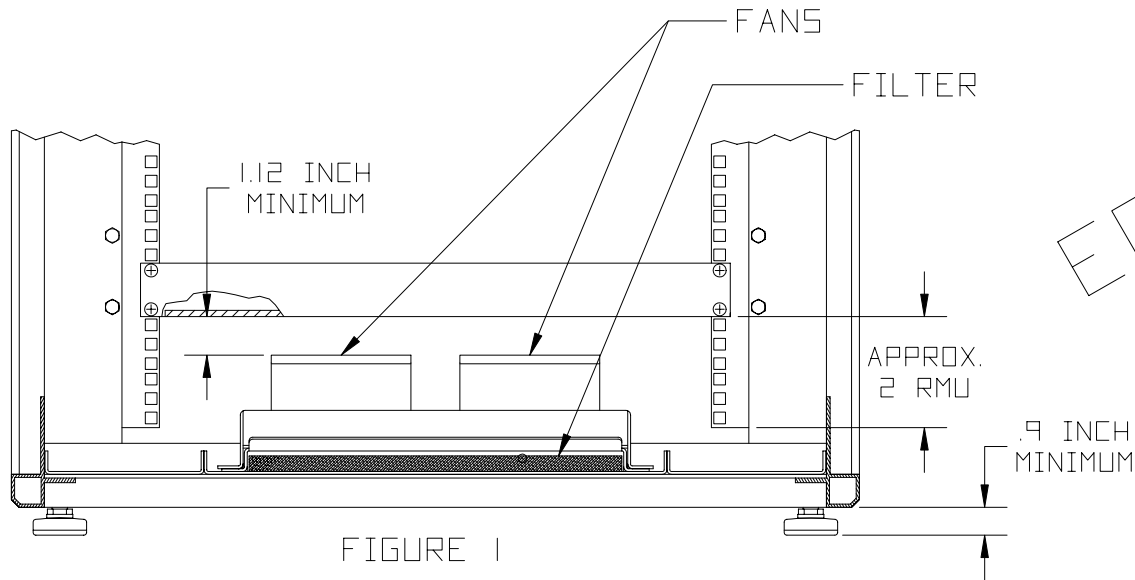


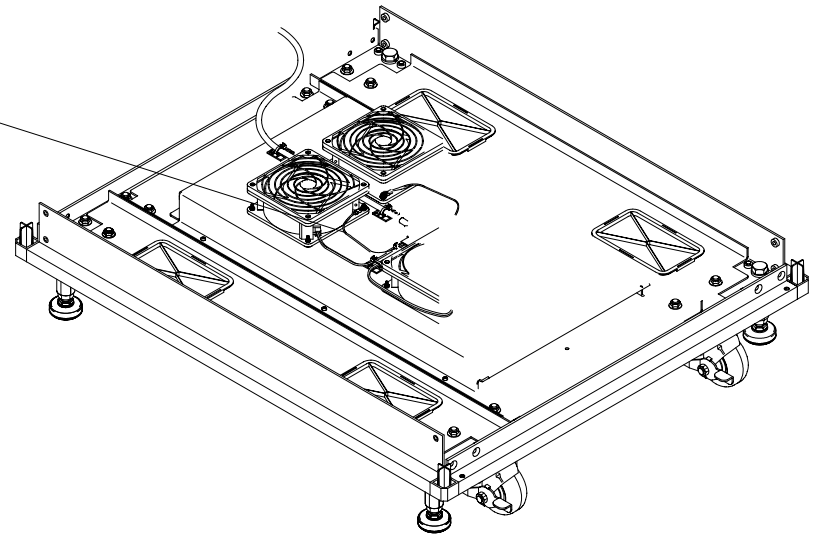
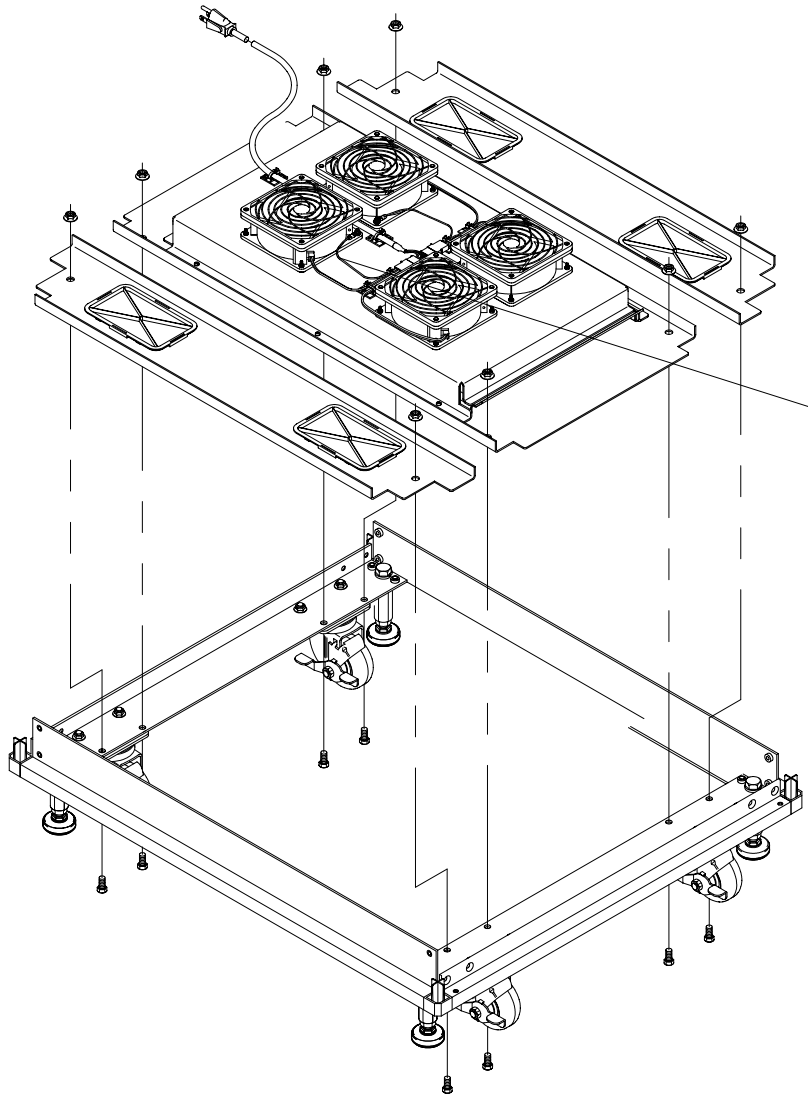
FIGURE 1

ECN PENDING
M-1786



INSTALLATION INSTR.
MEGAFRAME AIR FILTER
KIT WITH FANS

THIS DRAWING CONTAINS INFORMATION PROPRIETARY TO CHATSWORTH PRODUCTS, INC. ANY REPRODUCTION DISCLOSURE OR USE OF THIS DRAWING IS EXPRESSLY FORBIDDEN EXCEPT AS AGREED TO IN WRITING BY CHATSWORTH PRODUCTS, INC.

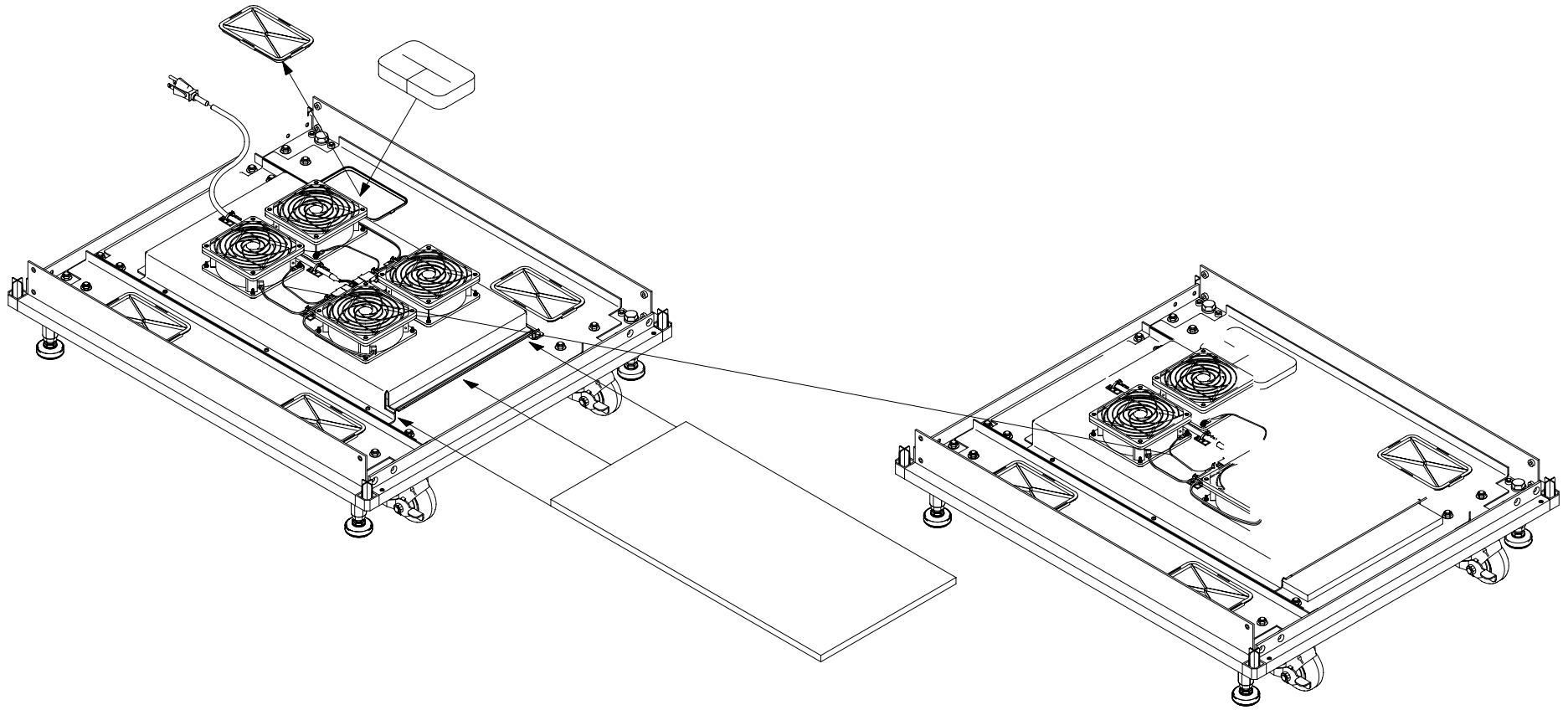


NOTE: FOR CLARITY, MEGAFRAME UPPER CABINET IS NOT SHOWN.

INSTALLATION INSTR.
MEGAFRAME AIR FILTER
KIT WITH FANS

THIS DRAWING CONTAINS INFORMATION PROPRIETARY TO CHATSWORTH PRODUCTS, INC. ANY REPRODUCTION, DISCLOSURE OR USE OF THIS DRAWING IS EXPRESSLY FORBIDDEN EXCEPT AS AGREED TO IN WRITING BY CHATSWORTH PRODUCTS, INC.

NOTE: FOR CLARITY, MEGAFRAME UPPER CABINET IS NOT SHOWN



INSTALLATION INSTR.
MEGAFRAME AIR FILTER

THIS DRAWING CONTAINS INFORMATION PROPRIETARY TO CHATSWORTH PRODUCTS, INC. ANY REPRODUCTION, DISCLOSURE OR USE OF THIS DRAWING IS EXPRESSLY FORBIDDEN EXCEPT AS AGREED TO IN WRITING BY CHATSWORTH PRODUCTS, INC.