

# Installation Instructions

## Tool-less Bend Radius Kit for Fiber Patch Cords

### Intended Use

The Tool-less Bend Radius Kit is used to support, route, and control bend radii for cable bundles routed through cable management fingers.

### Installation

1. Position the bend radius at an angle over the finger with the side flange positioned as shown in Fig. 1.
2. The two snaps hook on the inside of the side flange fit into the groove on the cable management finger as shown in Fig. 2.
3. While holding the end of the finger with one hand push down on the rear of the bend radius until the snap engages. Repeat to engage the second snap on the front side of the bend radius. See Fig. 3.
4. Fig. 4 illustrates various ways in which the Tool-less Bend Radius may be installed.

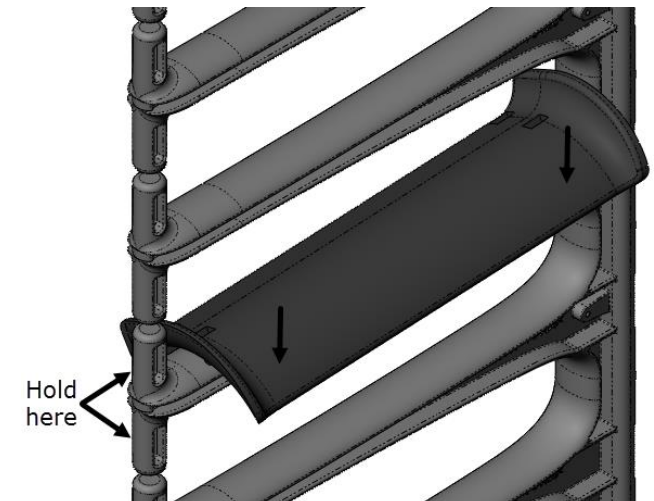


Fig. 3

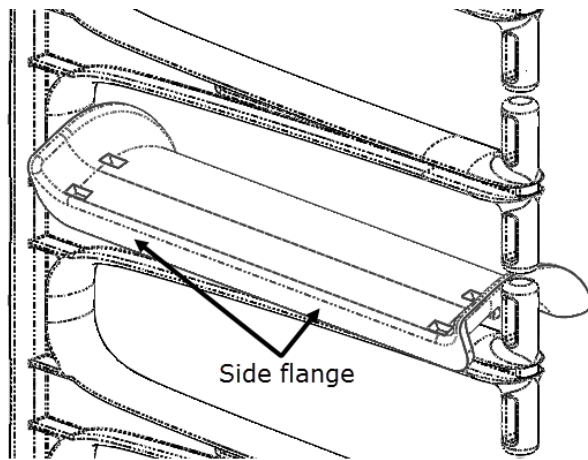


Fig. 1

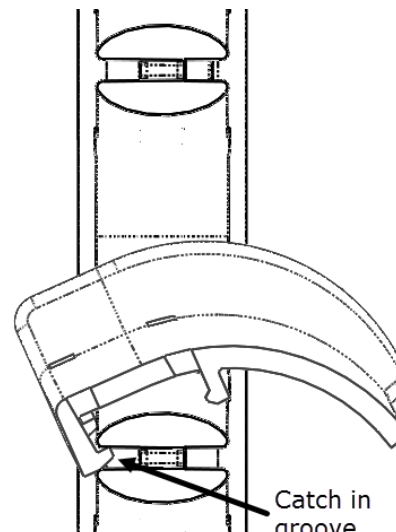


Fig. 2

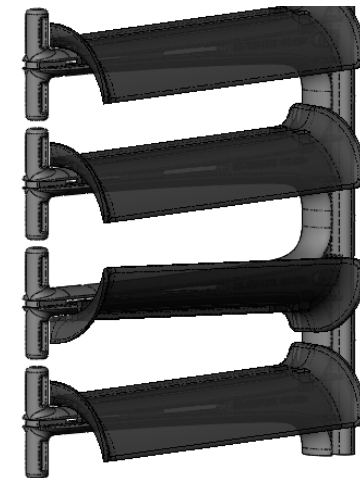


Fig. 4



IIS-732697, 3/13/17, Rev. 1, CPI/BDK/01/24

800-834-4969 (USA & Canada) • [www.chatsworth.com](http://www.chatsworth.com) • [techsupport@chatsworth.com](mailto:techsupport@chatsworth.com)

For international phone numbers, see our website or contact CPI Tech Support.

*This drawing contains proprietary and confidential information and is protected by U.S. and international law. Unauthorized reproduction, disclosure or use of the drawing or the information therein is expressly forbidden except as agreed to in writing by Chatsworth Products, Inc.*