

Installation Instructions

SOLID SIDE PANEL MANAGER KIT

Tools Required

- Tool-less installation

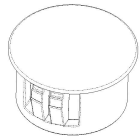
Intended Use

Solid Side Panel covers the side of a double-sided Evolution g2 Vertical Cable Manager located at the end of a row of equipment racks.

Included Hardware

- Qty 2 ea – Snap-in Hole Plug
- Qty 1 ea – Side Panel

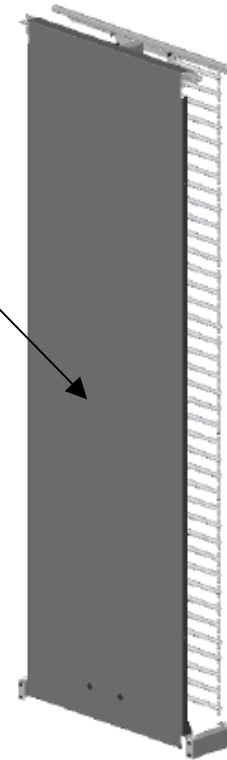
Snap-in Hole Plug



Side Panel



Side Panel



Evolution™ g2 Vertical Cable Manager

Verify

Double-sided Evolution™ g2 Vertical Cable Manager is available in various heights. Ensure that you have the correct accessory Side Panel(s) for the proper height cable manager.



CHATSWORTH PRODUCTS, INC.

IIS-735502, 01/06/10, Rev. 2, CPI/D. ALANIZ
800-834-4969 (USA & Canada) • www.chatsworth.com •
techsupport@chatsworth.com
For international phone numbers, see our website or contact CPI Tech Support.

This drawing contains proprietary and confidential information and is protected by U.S. and international law. Unauthorized reproduction, disclosure or use of the drawing or the information therein is expressly forbidden except agreed to in writing by Chatsworth Products, Inc.

Installation Instructions

SOLID SIDE PANEL MANAGER KIT

Assembly Sequence

NOTE: For an easier installation, center the Side Panel with the Cable Manager.

1. Side Panel Kits ship with all necessary hardware included.
2. Locate the included hardware and verify contents.
3. Center the panel to the side of the cable manager. Lift and tilt it away from the manager, proceed to hang it on top of the manager's frame member. Ensure that the top of the Side Panel, surface (A), rests on surface (B). If Panel does not completely seat as indicated then verify that the slot on the top of the Side Panel straddles the center rectangular tube of the cable manager. See Figure 1.
4. Use the mounting hooks at the bottom of the side panel to lock the panel onto the bottom frame member. See Figure 2.
5. Secure the Side Panel with the Snap-in hardware provided to the two lower cable manager's side mounting holes. Snap-in plugs install from the outside only. See Figure 3.

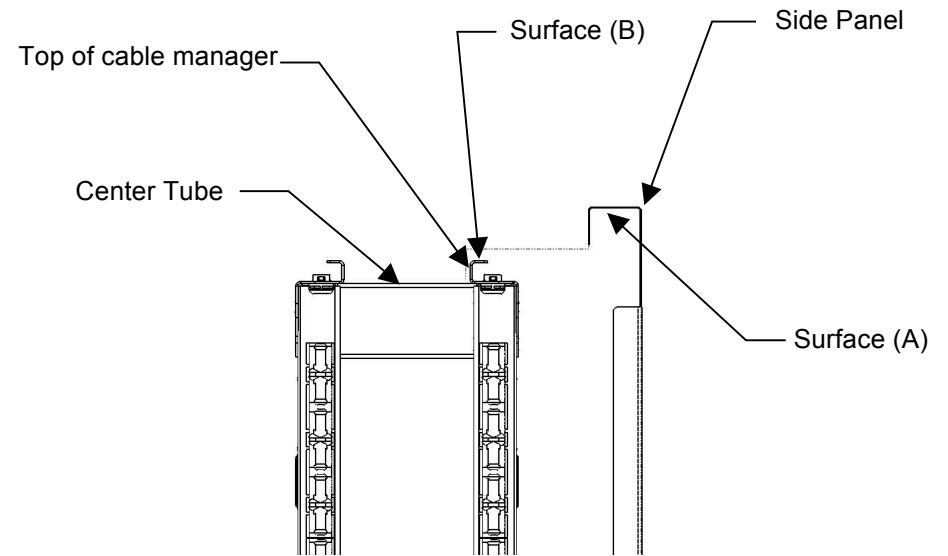


Figure 1

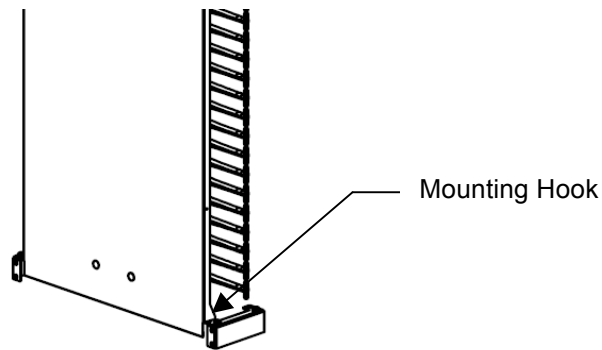


Figure 2

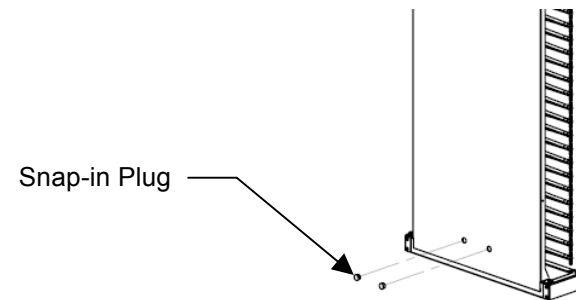


Figure 3