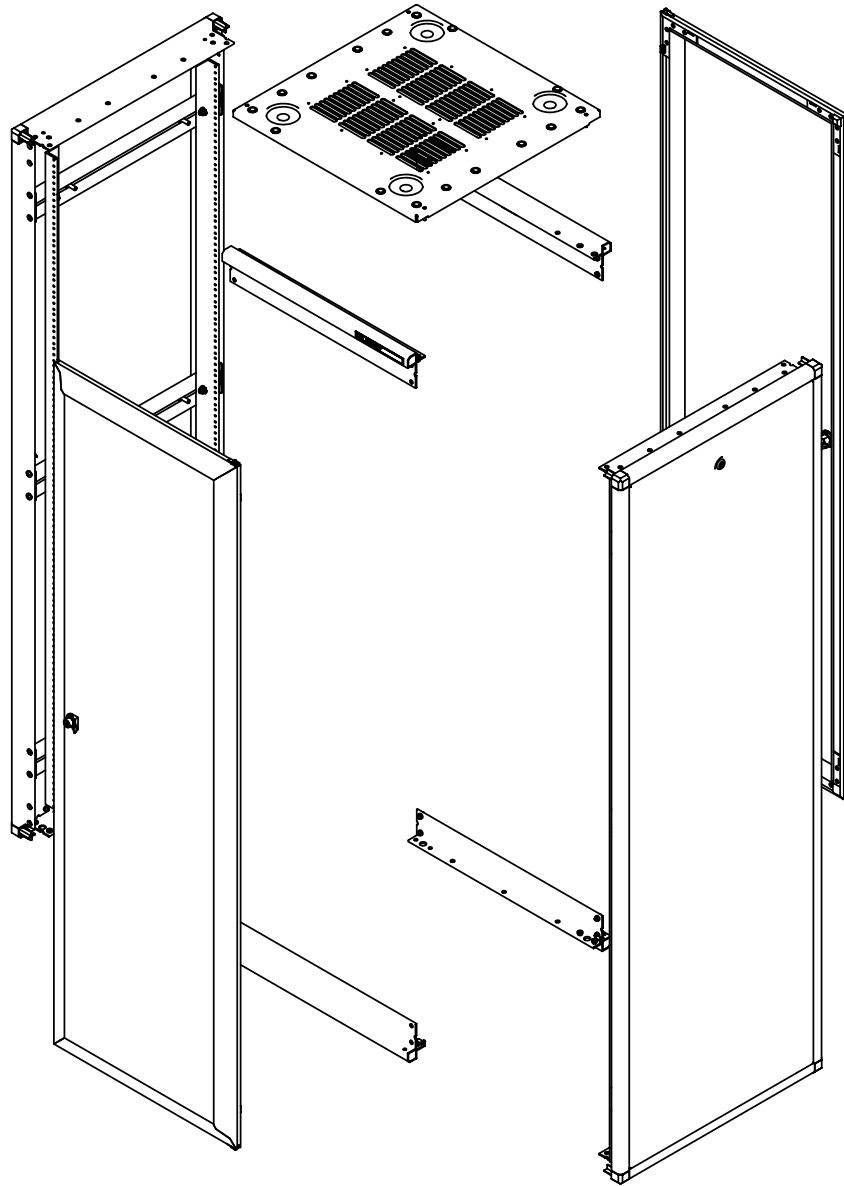
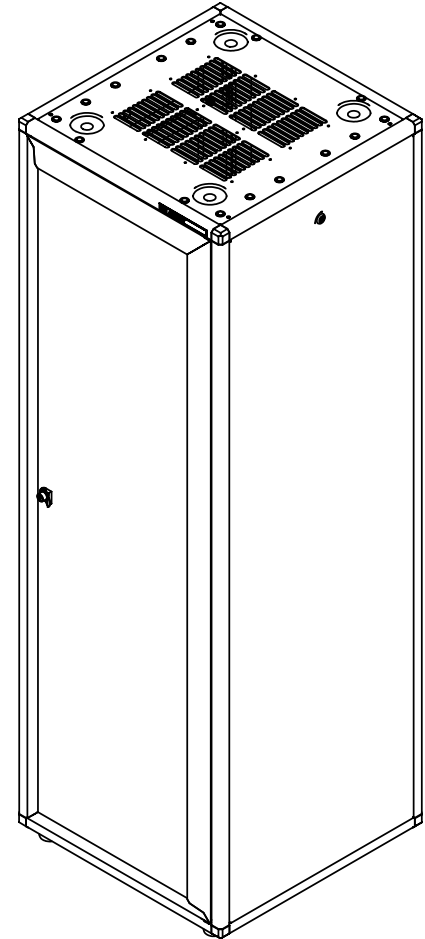


SLIMFRAME CABINET  
(KNOCK-DOWN)



SLIMFRAME CABINET (FULLY ASSEMBLED)



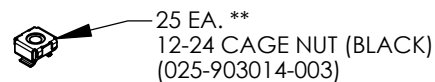
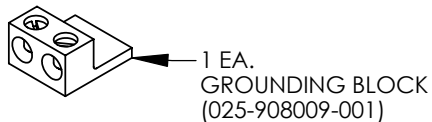
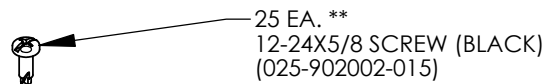
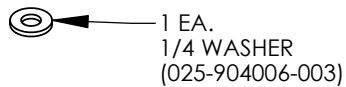
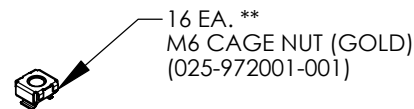
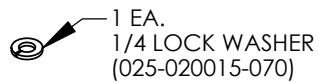
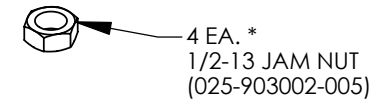
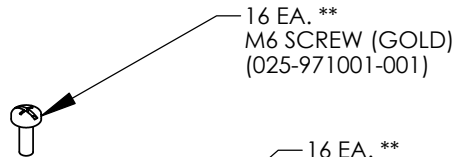
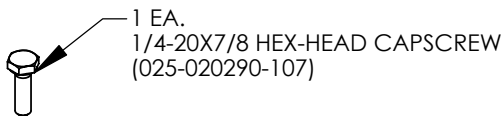
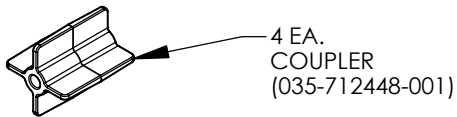
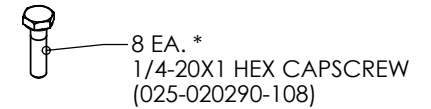
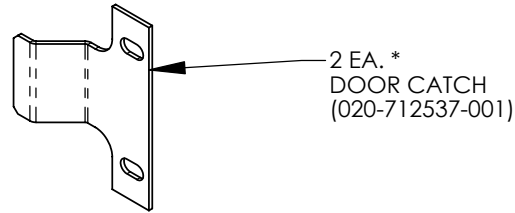
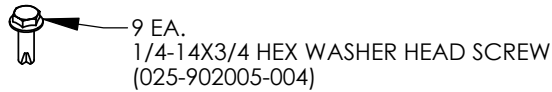
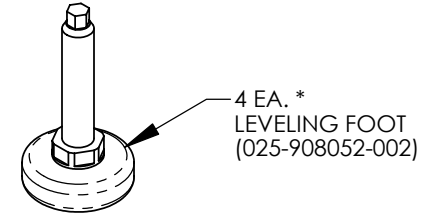
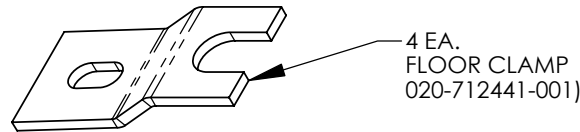
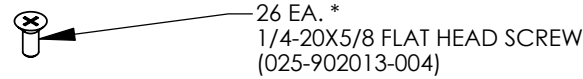
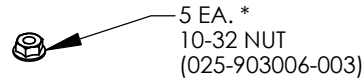
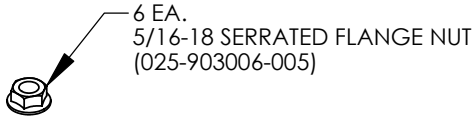
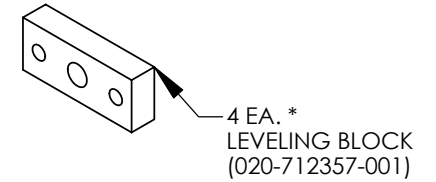
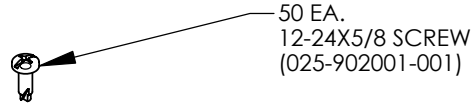
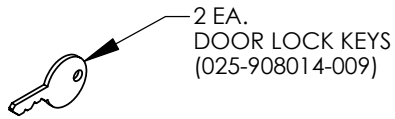
TOOLS REQUIRED:

- #3 PHILLIPS SCREWDRIVER
- 1/2" WRENCH
- 3/8" WRENCH
- 7/16" WRENCH
- 3/4" WRENCH
- 3/4" DEEP SOCKET

**CPI** CHATSWORTH PRODUCTS, INC.

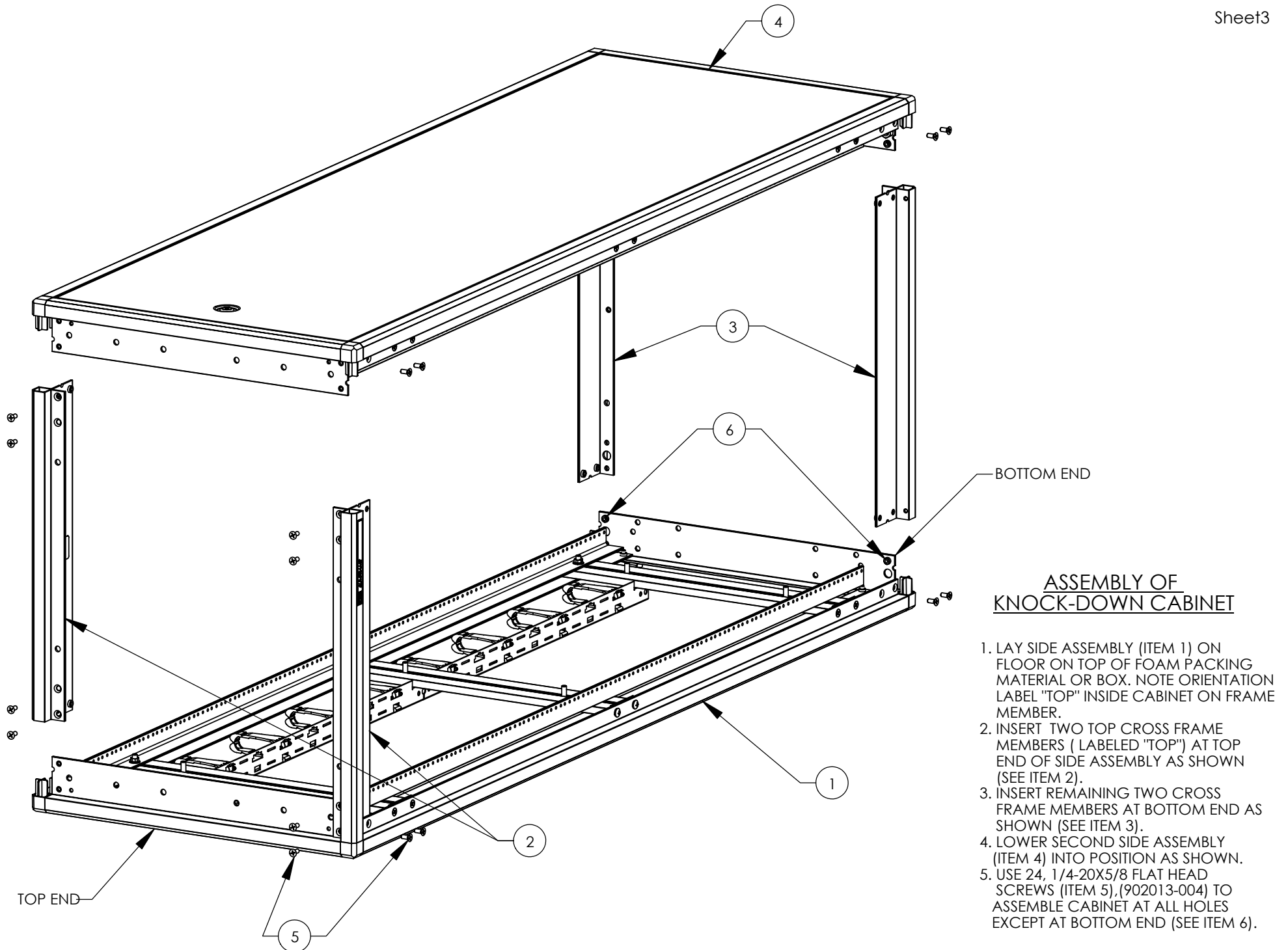
INSTALLATION  
INSTRUCTIONS,  
SLIMFRAME CABINET

THIS DRAWING CONTAINS INFORMATION PROPRIETARY TO CHATSWORTH PRODUCTS, INC. ANY REPRODUCTION DISCLOSURE OR USE OF THIS DRAWING IS EXPRESSLY FORBIDDEN EXCEPT AS AGREED TO IN WRITING BY CHATSWORTH PRODUCTS, INC.



**PACKAGED HARDWARE**

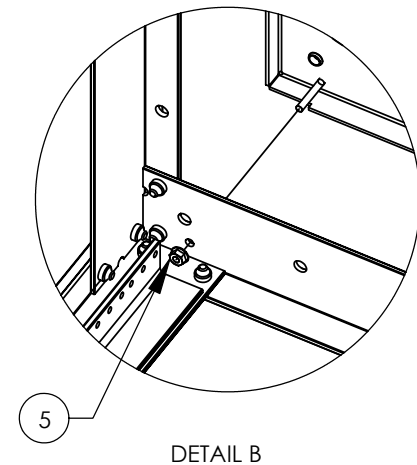
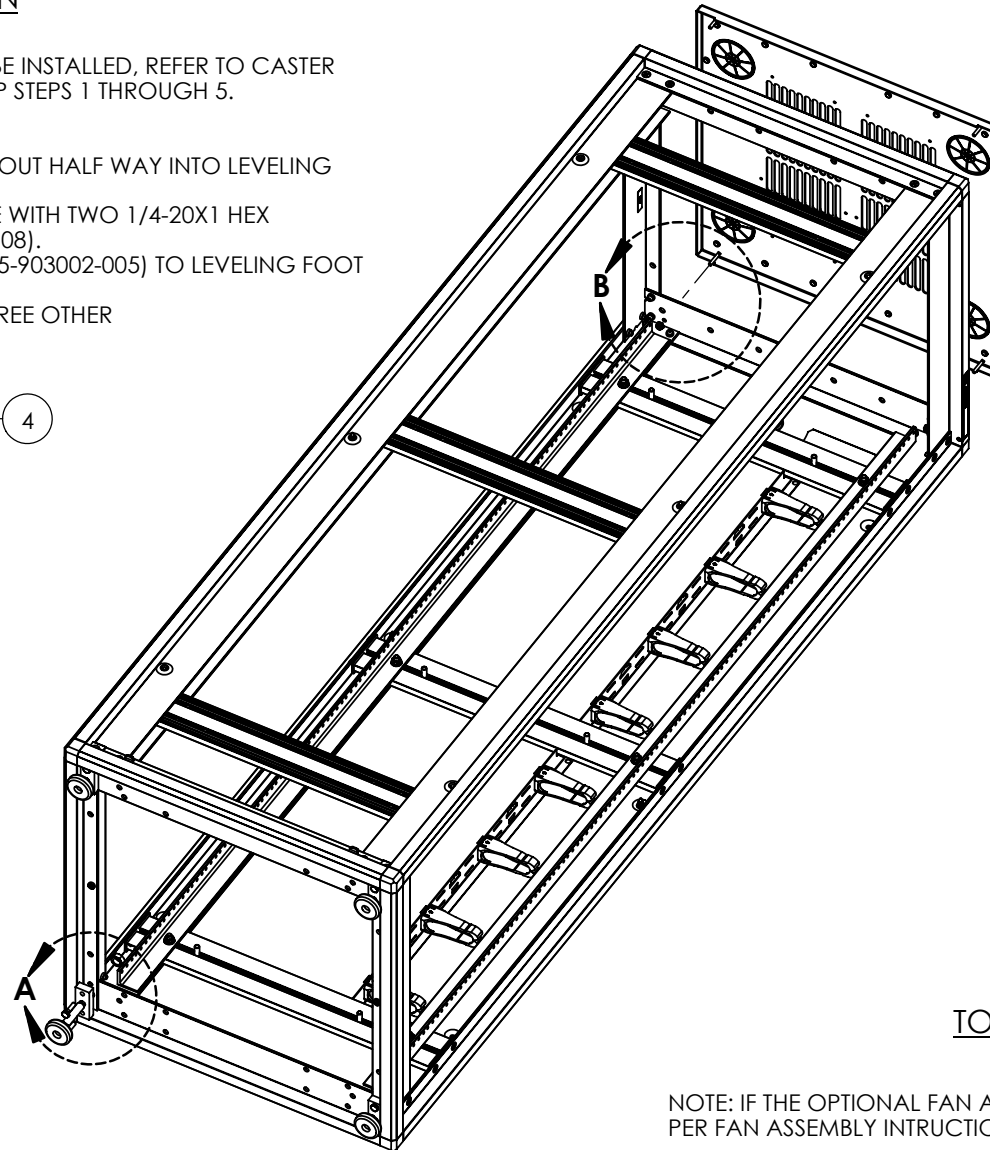
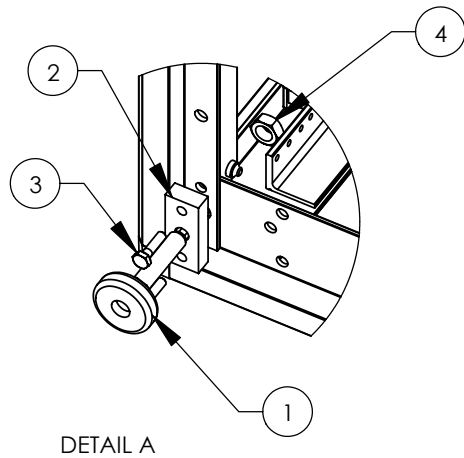
\* WITH KNOCK-DOWN CABINETS ONLY  
\*\* WITH MULTI-MOUNT RAIL VERSIONS ONLY



## LEVELING FEET INSTALLATION

NOTE: IF OPTIONAL CASTERS ARE TO BE INSTALLED, REFER TO CASTER INSTALLATION INSTRUCTIONS AND SKIP STEPS 1 THROUGH 5.

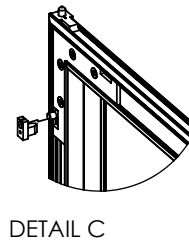
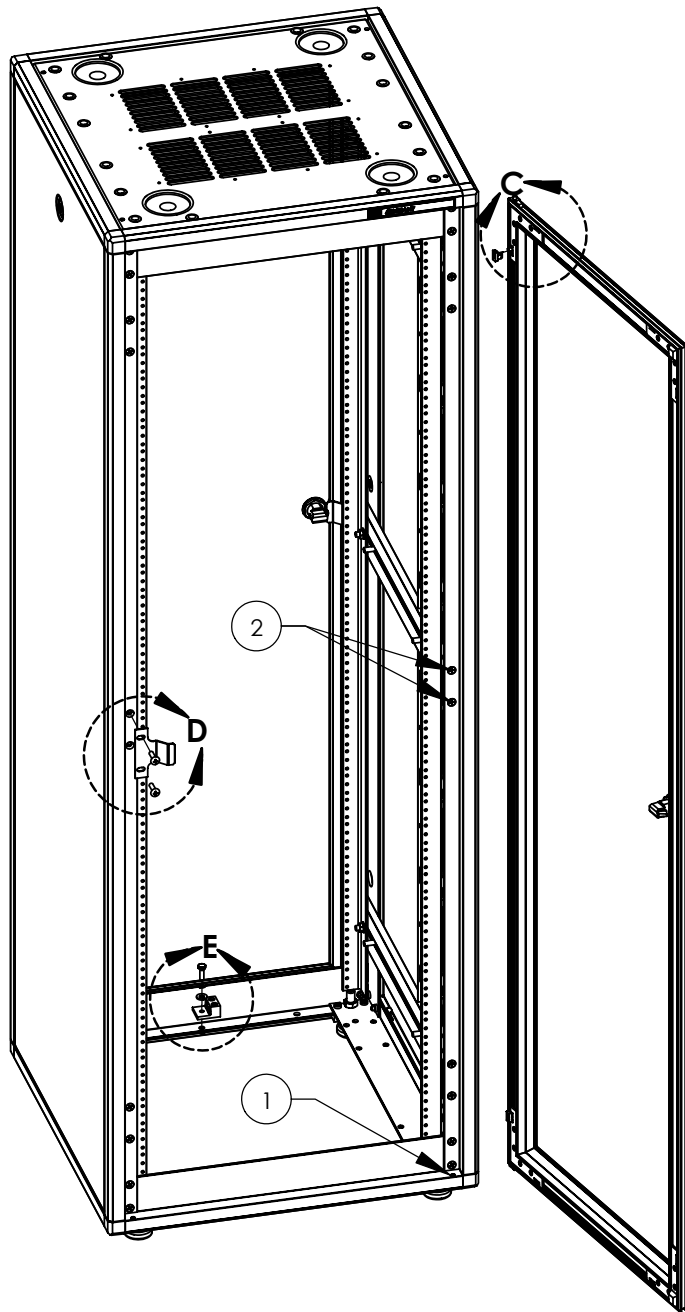
1. SEE DETAIL A.
2. SCREW LEVELING FOOT (ITEM 1) ABOUT HALF WAY INTO LEVELING BLOCK (ITEM 2).
3. ATTACH BLOCK TO CABINET FRAME WITH TWO 1/4-20X1 HEX CAPSCREWS (ITEM 3), (025-020290-108).
4. ADD 1/2" HEX JAM NUT (ITEM 4), (025-903002-005) TO LEVELING FOOT ON INSIDE OF CABINET.
5. REPEAT STEPS 1 THROUGH 4 FOR THREE OTHER LEVELING FEET.



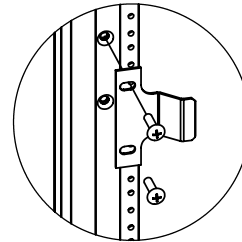
## TOP ASSEMBLY

NOTE: IF THE OPTIONAL FAN ASSEMBLY IS TO BE ADDED, INSTALL FAN PER FAN ASSEMBLY INTRUCTIONS BEFORE INSTALLING TOP.

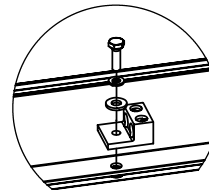
1. REFER TO DETAIL B.
2. ASSEMBLE TOP ASSEMBLY IN ORIENTATION SHOWN.
3. USE FOUR 10-32 HEX NUTS (ITEM 5), (025-903006-003) TO ATTACH TOP FROM INSIDE FRAME.



DETAIL C



DETAIL D



DETAIL E

## DOOR INSTALLATION

1. REMOVE PLASTIC DOOR PIN STOP (035-712447-001) AND RETRACT PIN (SEE DETAIL C).
2. PLACE LOWER DOOR PIN HINGE INTO HOLE LOCATED ON THE BOTTOM CABINET FRAME CROSS MEMBER (SEE ITEM 1).
3. ALIGN TOP PIN WITH HOLE LOCATED ON THE TOP CABINET FRAME CROSSMEMBER.
4. EXTEND TOP DOOR PIN.
5. REPLACE DOOR PIN STOP.
6. IF NECESSARY, ADJUST DOOR CATCH BY LOOSENING THE TWO RETAINING SCREWS (SHOWN IN DETAIL D). RETIGHTEN ONCE ALIGNED.

## TO REVERSE DOOR SWING

1. REMOVE DOOR (SEE DOOR INSTALLATION INSTRUCTIONS).
2. REMOVE DOOR CATCH (SEE DETAIL D)
3. REMOVE TWO FLAT HEAD SCREWS ON SIDE OPPOSITE DOOR CATCH (SEE ITEM 2).
4. INSTALL TWO FLAT HEAD SCREWS IN ORIGINAL DOOR CATCH LOCATION.
5. INSTALL DOOR CATCH AT NEW LOCATION.
6. FLIP DOOR.
7. MOUNT DOOR IN NEW ORIENTATION PER DOOR ASSEMBLY INSTRUCTIONS.

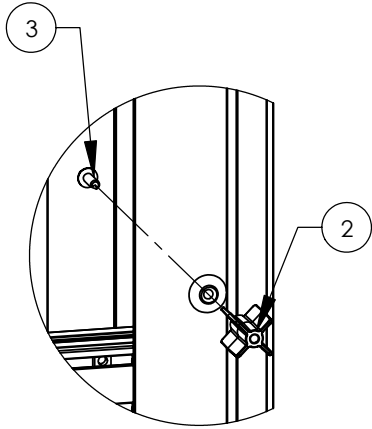
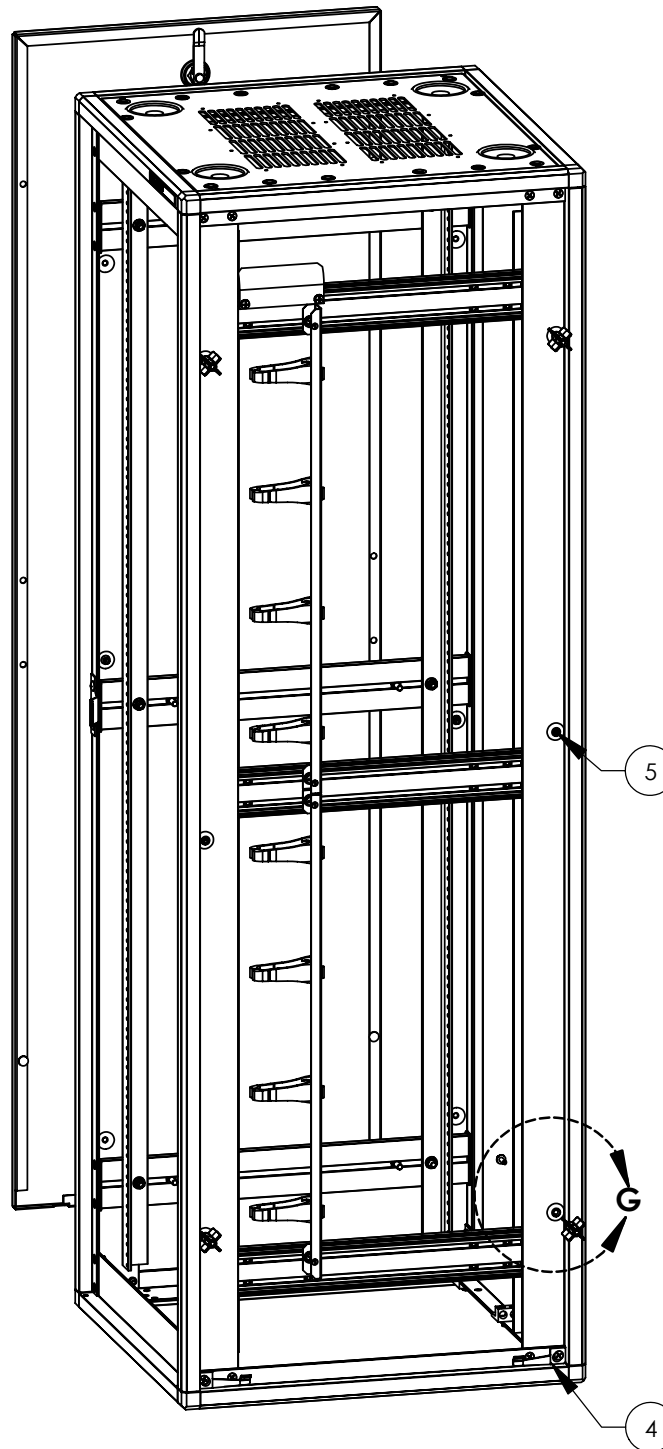
## RAIL ADJUSTMENT

1. LOOSEN NUTS SECURING VERTICAL MOUNTING RAILS.
2. PLACE WHERE DESIRED USING SCALES TO ALIGN.
3. TIGHTEN MOUNTING NUTS.

NOTE: IT IS RECOMMENDED THAT MOUNTING RAILS BE SET BACK AT LEAST .4" FROM OUTER LIMIT TO MAINTAIN ACCESS TO THE SIDE PANEL MOUNTING SCREWS. SOME EQUIPMENT WITH DEEP FACE PLATES OR HANDLES MAY INTERFERE WITH THE DOOR LATCH. TO PREVENT INTERFERENCE, AVOID MOUNTING SUCH EQUIPMENT AT THE CENTER OF THE VERTICAL RAIL (IMMEDIATELY BEHIND THE DOOR LATCH), OR SET THE RAIL FURTHER BACK IN THE CABINET.

## GROUNDING BLOCK INSTALLATION

1. INSTALL GROUNDING BLOCK (025-908009-001) AS SHOWN (SEE DETAIL E) USING THE FOLLOWING COMPONENTS:  
 1/4-20X7/8 CAPSCREW (025-020290-107).  
 1/4 WASHER (025-904006-003).  
 1/4 LOCK WASHER (025-020015-070).



DETAIL G

## CABINET INSTALLATION

### LEVELING THE CABINET

1. BE SURE TO LEVEL CABINET BY ADJUSTING AND LOCKING THE LEVELING FEET PRIOR TO INSTALLING EQUIPMENT IN CABINET.
2. INSTALL FLOOR CLAMPS IN ORIENTATION SHOWN BELOW TO CAPTURE EACH OF THE FOUR LEVELING FEET. ATTACH CLAMPS TO FLOOR WITH APPROPRIATE HARDWARE FOR YOUR TYPE OF FLOOR. (SEE RACK AND FRAME INSTALLATION KITS" IN CPI CATALOG).

### TO REMOVE SIDE PANELS

1. UNLOCK SIDE PANEL, PULL SIDE PANEL AWAY FROM CABINET AND LIFT.

### TO BAY CABINETS TOGETHER

1. REMOVE SIDE PANELS AS DESCRIBED ABOVE
2. LOCATE COUPLER (035-712448-001) TO OUTSIDE OF CABINET AT LOCATION OF SIDE PANEL FASTENER FRAME HOLE (SEE DETAIL G, ITEM 2).
3. FASTEN WITH 1/4-14X3/4 HEX WASHERHEAD SCREW (025-902005-004) FROM INSIDE CABINET (SEE ITEM 3).
4. ATTACH 4 COUPLERS (ONE PER CORNER) AS SHOWN.
5. REMOVE SIDE PANEL FROM ADJACENT CABINET AND MOVE CABINETS TOGETHER.
6. ATTACH FOUR 1/4-14X3/4 SCREWS THROUGH ADJACENT CABINET TO COUPLER.

NOTE: IF SIDE PANEL IS TO BE INSTALLED AT END OF ROW, BE SURE TO REMOVE CLIPS (ITEM 4) AND RATCHET FASTENERS (ITEM 5) FOR USE ON CABINET AT END OF ROW.

### INSTALL EQUIPMENT

1. INSTALL SHELVES AND EQUIPMENT AS NEEDED.

