



CHATSWORTH
PRODUCTS

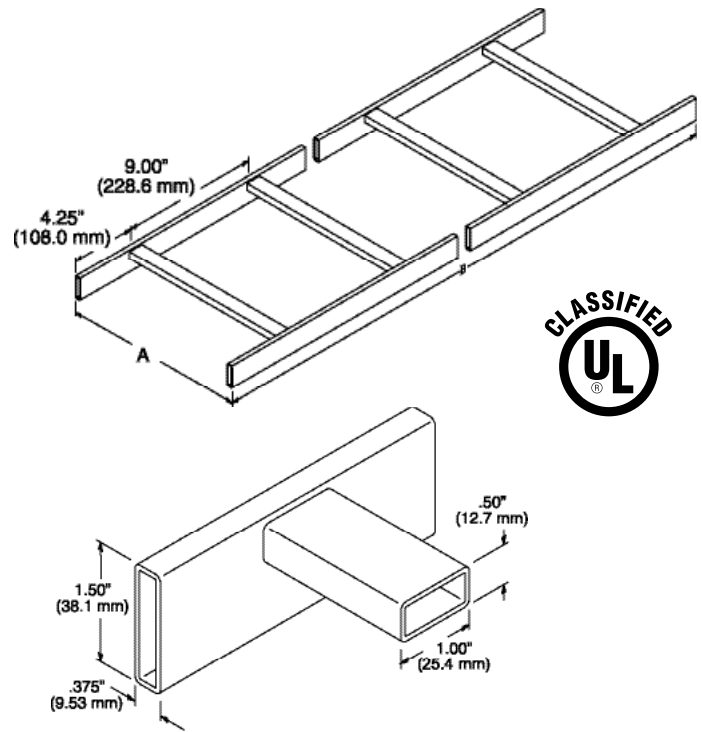
UL Classified Cable Runway

UL Classified Cable Runway

Similar in construction to our TELCO Style Cable Runway (11252 Series). The side stringers are 1 1/2" x 3/8" x .065" (38.1 mm x 9.53 mm x 1.65 mm) and the cross members are 1/2" x 1" x .065" (12.7 mm x 30 mm x 1.65 mm) welded at 9" (230 mm) intervals. With the runway supported every 5' (1.5 m), maximum load with minimal deflection is 132 lb/ft (196 kg/m).

- Available in Gold chem finish or Black chem over zinc plating
- UL Classified for suitability (as an equipment grounding conductor only)
- The overall length is 9' 8-1/2"/116.5" (2959 mm) to comply with TELCO-Style standards
- Individually boxed to prevent scratching and damage
- Installation Best Practices include Runway Elevation Kit

NOTE: CPI 10250, 11252, 11275 and 14300 cable runway systems are listed under UL E138966 and tested to the requirements in the Standard for Safety for Metal Cable Tray Systems, NEMA VE 1-2017 and ANSI/NFPA 70.



ORDERING INFORMATION

Part Number	Width (Dim. A) in (mm)	Length (Dim. B) in (mm)	Shipping Weight lb (kg)
11275-X06	6 (150)	9' 8-1/2 (2959)	19 (8.6)
11275-X09	9 (230)	9' 8-1/2 (2959)	20 (9.1)
11275-X12	12 (300)	9' 8-1/2 (2959)	22 (10.0)
11275-X15	15 (380)	9' 8-1/2 (2959)	26 (11.8)
11275-X18	18 (460)	9' 8-1/2 (2959)	28 (12.7)
11275-X20	20 (510)	9' 8-1/2 (2959)	29 (13.2)
11275-X24	24 (610)	9' 8-1/2 (2959)	31 (14.1)

X= color over zinc: 0=Gold Chem, 7=Black

United States & Canada
Simi Valley, CA
800-834-4969
Toronto, Ontario, Canada
+905-850-7770
chatsworth.com

Latin America
Mexico City, Mexico
+52-55-5203-7525
Toll Free within Mexico
800-201-7592
chatsworth.com.co

Europe
Buckinghamshire
England, UK
+44-1628-524-834

Middle East & Africa
Dubai, UAE
+971-4-2602125
Doha, Qatar
+974-4-267422

Asia Pacific
Jing'an District,
Shanghai, China
+86 21 6880-0266
chatsworth.com.cn

