

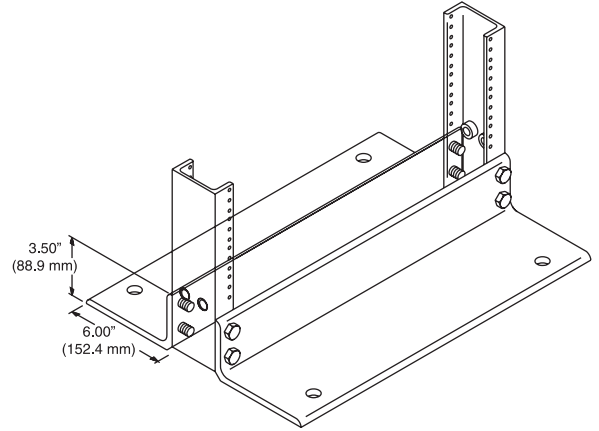


CHATSWORTH
PRODUCTS

Base Angle

Base Angle

- Optional base angle for CPI Universal Racks.
- Material is aluminum extrusion 3-1/2" x 6" x 3/8" (89 mm x 150 mm x 9.53 mm)
 - Sold individually



ORDERING INFORMATION

Part Number	Description	Shipping Weight lb (kg)
41021-X01	Base for 19" Rack	10 (4.5)
41021-X02	Base for 23" Rack	10 (4.5)

X=color: 1=Gray,5=Clear, 7=Black, E=Glacier White

United States & Canada
 Simi Valley, CA
 800-834-4969
 Toronto, Ontario, Canada
 +905-850-7770
 chatsworth.com
 techsupport@chatsworth.com

Latin America
 Mexico City, Mexico
 +52-55-5203-7525
 Toll Free within Mexico
 800-201-7592
 chatsworth.com.co

Europe
 Buckinghamshire
 England, UK
 +44-1628-524-834

Middle East & Africa
 Dubai, UAE
 +971-4-2602125
 Doha, Qatar
 +974-4-267422

Asia Pacific
 Jing'an District,
 Shanghai, China
 +86 21 6880-0266
 chatsworth.com.cn