

REVISION HISTORY				
ZONE	REV	DESCRIPTION	DATE	APPROVED
All	1	Released	8/3/2021	RLC

D

D

C

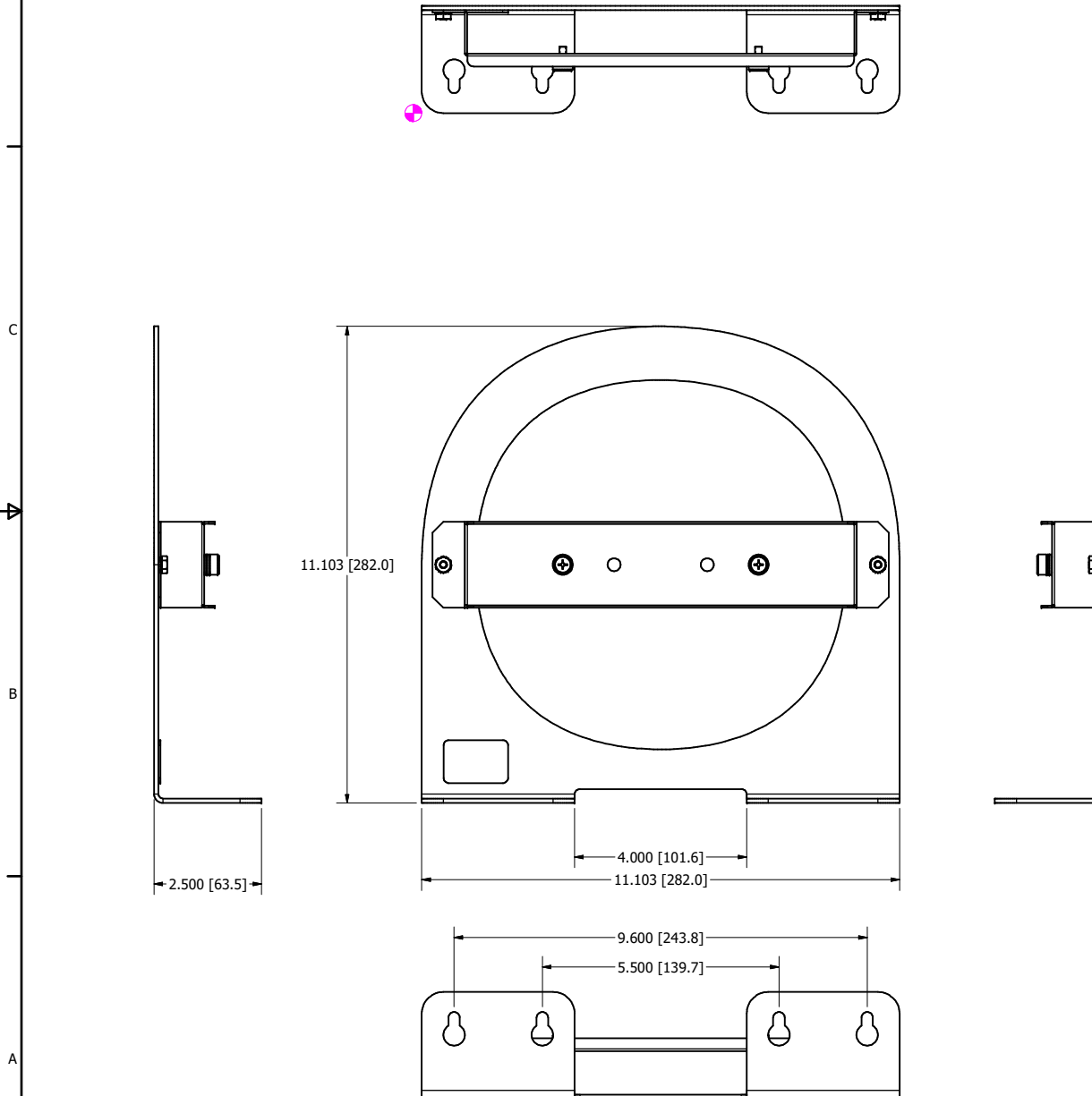
C

B

B

A

A



ORDERING INFORMATION:

MANUFACTURER/MODEL:

Cisco 2600/2700/3500/3700
 Cisco 2800/3800
 Cisco 9115
 Cisco 9117
 Cisco 9120
 Cisco 9130
 Cisco HLA
 Aruba Networks AP225
 Aruba Networks AP305
 Aruba Networks AP315
 Aruba Networks AP325
 Aruba Networks AP335
 Aruba Networks AP515
 Aruba Networks AP535
 Aruba Networks AP635
 Extreme Networks 3925
 Ubiquiti Unifi

OBERON ENCLOSURE MODEL:

Model 1006-CCOAP
 Model 1006-CCOAP3800
 Model 1006-COAP9115
 Model 1006-COAP9117
 Model 1006-COAP9120
 Model 1006-HLA
 Model 1006-AP225
 Model 1006-AP305
 Model 1006-AP315
 Model 1006-AP325
 Model 1006-AP335
 Model 1006-AP515
 Model 1006-AP535
 Model 1006-EX3900
 Model 1006-UBI

NOTES:

- Weight: 3 lbs.
- Material: 10 Gauge Steel Base White Powder Coat
16 Gauge Steel Mounting Bracket White Powder Coat

Includes:

- Installation Hardware for Access Point
- Hardware for wall attachment supplied by customer

Oberon, Inc. - 1315 S. Allen St. - State College, PA 16801

TITLE

Model 1006-ARAP635

SIZE	DWG NO	DATE
C	4358	8/3/2021
SCALE	SHEET 1 OF 2	

4

3

2

1

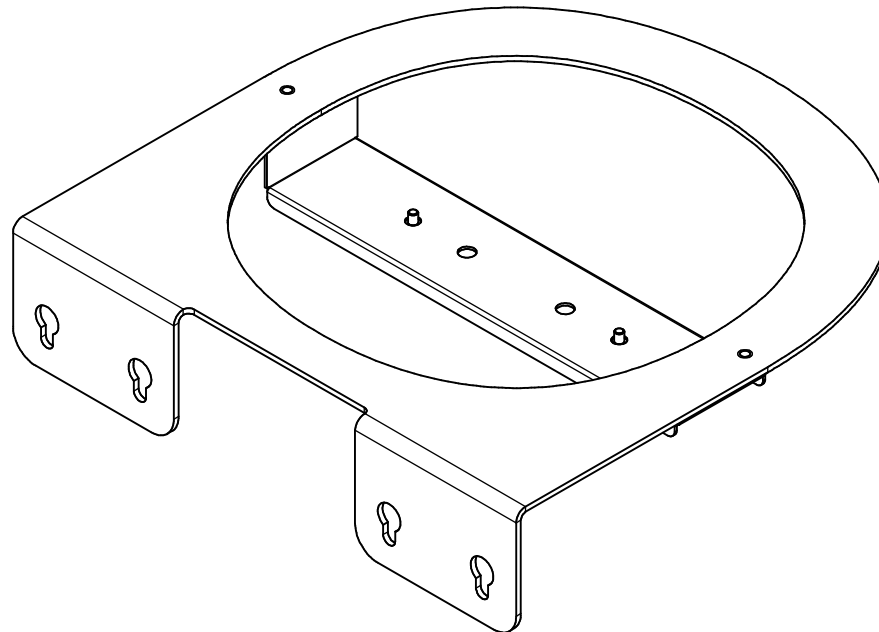
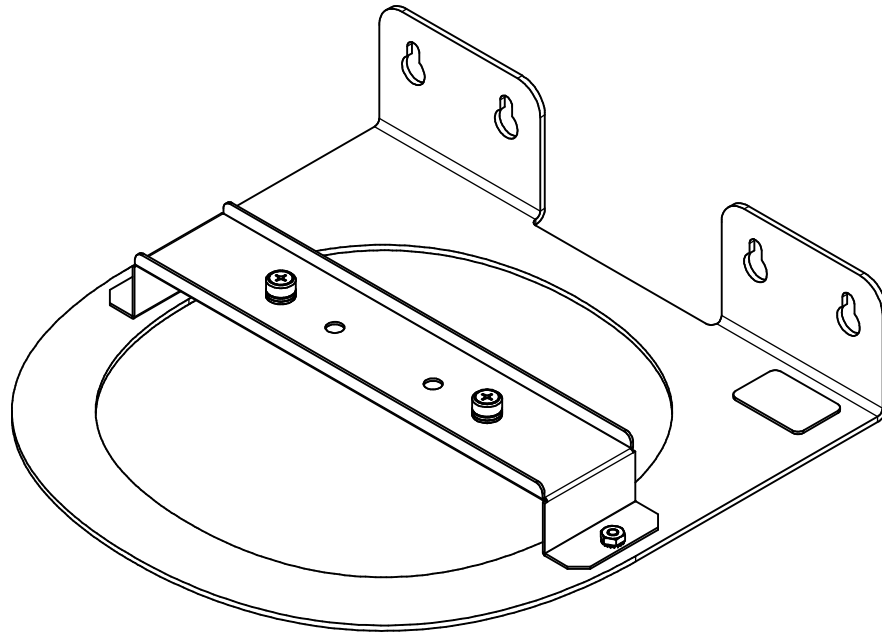
4

3

2

1

ISOMETRIC VIEWS



Oberon, Inc. - 1315 S. Allen St. - State College, PA 16801		
TITLE		
Model 1006-ARAP635		
SIZE	DWG NO	DATE
C	4358	8/3/2021
SCALE	SHEET 2 OF 2	