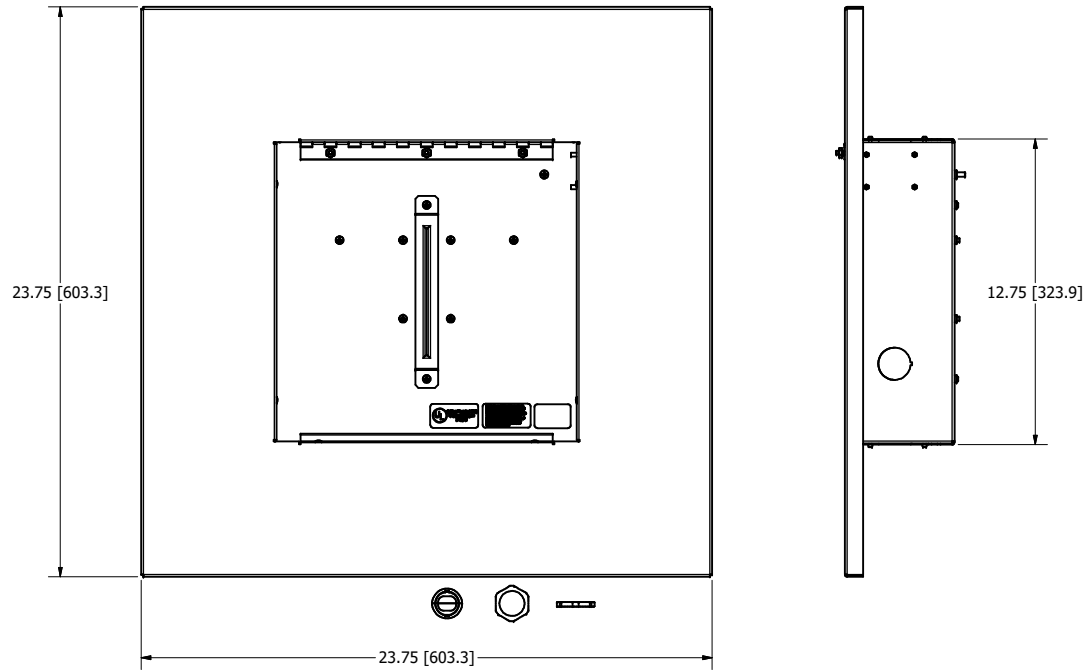
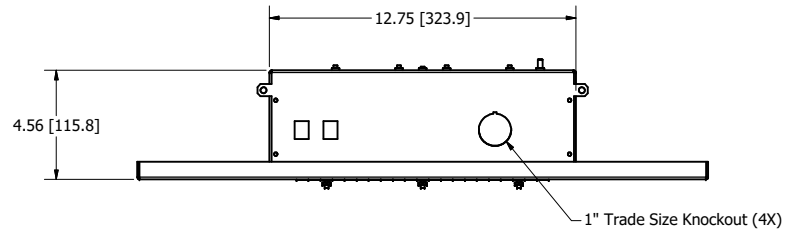


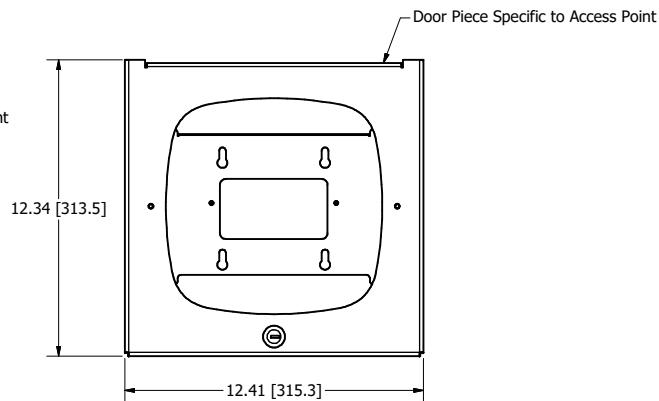
# ENCLOSURE BACKBOX

REVISION HISTORY				
ZONE	REV	DESCRIPTION	DATE	APPROVED
All	1	Released	7/11/2019	DLV
All	2	Updated Images, Added P/N List	11/26/2019	CAH
All	3	Updated "Includes" List, Configuration Table	2/19/2020	CAH
All	4	Updated "Includes" List	3/31/2020	CAH
All	5	Updated Configuration Table	8/29/2022	RLC



## DOOR

\*\*NOTE: Door Cutout Specific to Access Point



## NOTES:

- Weight: 13 lbs.
- Material:
  - 16 Ga. Galvanized Steel Backbox
  - 14 Ga. White Powder Coated Steel Door
  - 18 Ga. White Powder Coated Steel Bezel

## Includes:

- (4) Wire Hangers
- (1) T-Bar Bracket
- (1) Dual Cable Egress Fire Stop Grommet
- (1) 1 in. Trade Size Conduit Connector
- (1) Grounding Screw
- (2) Keys for Lock

- UL Listed File No. E249360
- OSHPD Approved: File No. OPM-0110-13

NOTE: All materials used in the construction of Oberon products must be RoHS compliant and meet RoHS2 Directive 2011/65/EU. Contact Oberon engineering if RoHS compliant materials are not available.

DRAWN	3/31/2020	Oberon, Inc. - 1315 S. Allen St. - State College, PA 16801		
CHECKED	8/29/2022	TITLE		
QA		Model 1052-XX		
MFG	8/29/2022	SIZE	DWG NO	REV
RLC		C	Model1052-XXXX_Customer_Print	
APPROVED	8/29/2022	SCALE	SHEET 1 OF 2	
RLC				
TOLERANCE:	.0 = +/- .030			
	.00 = +/- .015			
	.000 = +/- .005			

**Please specify configuration when ordering:**

1052 - \_\_\_\_\_

ENCLOSURE - AP DOOR  
 STYLE (See Configurations)

CONFIGURATION TABLE				
MODEL NUMBER	ENCLOSURE STYLE	AP DOOR	ACCESS POINT	TO ORDER DOOR SEPARATELY - USE DOOR P/N ONLY
1052-00	1052	00	General Purpose for APs w/ External Antennas	38-105X-00
1052-ARAP505	1052	ARAP505	Aruba AP505	38-105X-ARAP505
1052-ARAP515	1052	ARAP515	Aruba AP515	38-105X-ARAP515
1052-ARAP535	1052	ARAP535	Aruba AP535	38-105X-ARAP535
1052-ARAP555	1052	ARAP555	Aruba AP555	38-105X-ARAP555
1052-ARAP635	1052	ARAP645	Aruba AP635	38-105X-ARAP635
1052-CCOAP	1052	CCOAP	Cisco 2700, 3700 Series APs	38-105X-CCOAP
1052-CCOAP3800	1052	CCOAP3800	Cisco 2800, 3800 Series APs	38-105X-CCOAP3800
1052-COAP4800	1052	COAP4800	Cisco 4800 Series APs	38-105X-COAP4800
1052-COAP9115	1052	COAP9115	Cisco 9115 Series APs	38-105X-COAP9115
1052-COAP9120	1052	COAP9120	Cisco 9120 Series APs	38-105X-COAP9120
1052-COAP9130	1052	COAP9130	Cisco 9130 Series APs	38-105X-COAP9130
1052-COAP9136	1052	COAP9136	Cisco 9136 Series APs	38-105X-COAP9136
1052-CW9166	1052	CW9166	Cisco 9164, 9166 Series APs	38-105X-CW9166
1052-CP	1052	CP	General Purpose for APs w/ Internal Antennas	38-105X-CP
1052-WA	1052	WA	General Purpose for APs w/ Internal Antennas	38-105X-WA
1052-MIST43	1052	MIST43	Mist AP43 Series APs	38-105X-MIST43
1052-SOLID	1052	SOLID	SOLID AP	38-105X-SOLID
1052-R650	1052	R650	Ruckus R650 Series APs	38-105X-R650
1052-R750	1052	R750	Ruckus R750 Series APs	38-105X-R750
1052-ND	1052	ND	N/A (No Door Included)	ND

"-CCEA" = Compliant with "City of Chicago Environmental Air" Standard  
 "-CCEA" Versions for All Model Numbers are Available Upon Request

DRAWN RLC	3/31/2020	Oberon, Inc. - 1315 S. Allen St. - State College, PA 16801		
CHECKED RLC	8/29/2022	TITLE		
QA		Model 1052-XX		
MFG RLC	8/29/2022	SIZE C	DWG NO	REV
APPROVED RLC	8/29/2022	Model1052-XXXX_Customer_Print		
TOLERANCE:	.0 = +/- .030 .00 = +/- .015 .000 = +/- .005	SCALE	SHEET 2 OF 2	