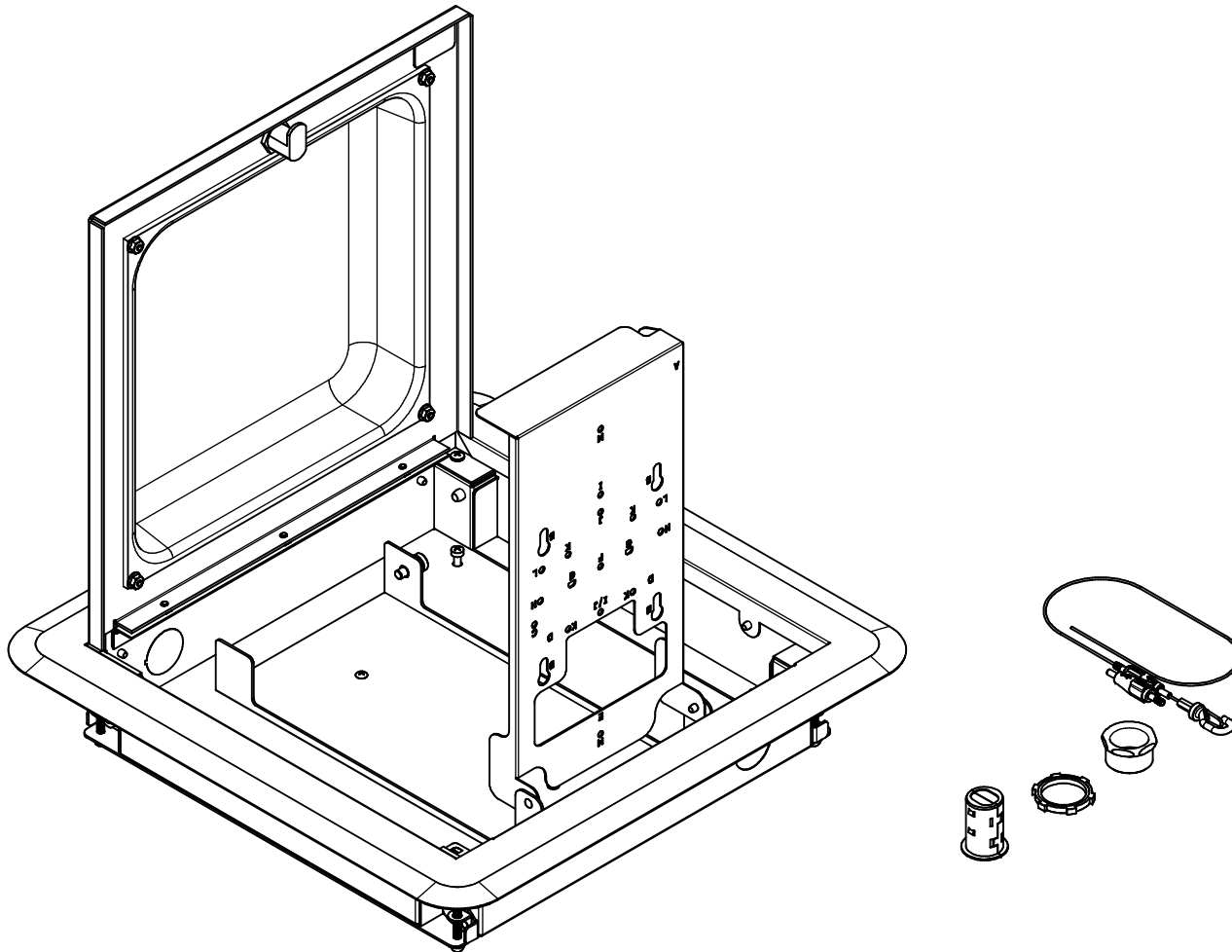


1075-MPDOME & 1075-MTDOME



NOTES:

- Weight: 11 lbs.
- Material: 16 Ga. Galvaneal Backbox
14 Ga. White Powder Coated Steel Door
18 Ga. White Powder Coated Steel Flange
UL94-5VA Dome

Includes:

- (1) Enclosure and Interchangeable Door
- (1) Dual Cable Egress Firestop Grommet
- (1) 1 in. Trade Size Conduit Connector
- (1) Speed Link Support Wire
- (2) Keys for Lock
- (1) Grounding Screw
- Access Point Attachment Hardware

- UL Listed File No. E348543

Oberon, Inc. - 1315 S. Allen St. - State College, PA 16801

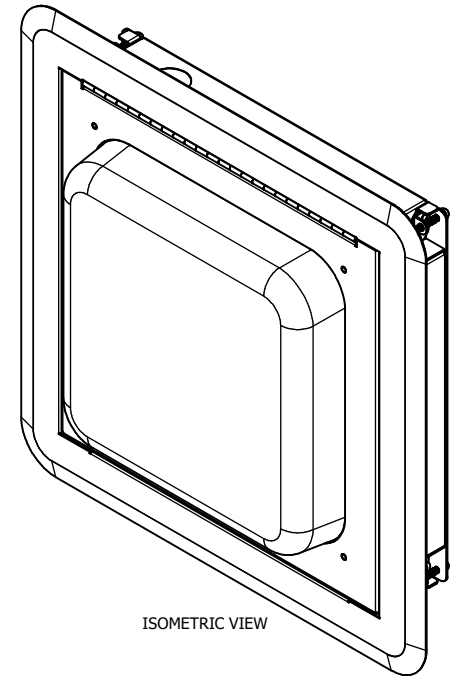
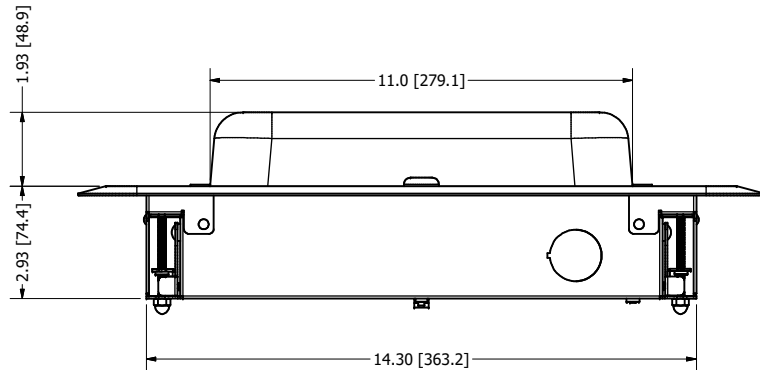
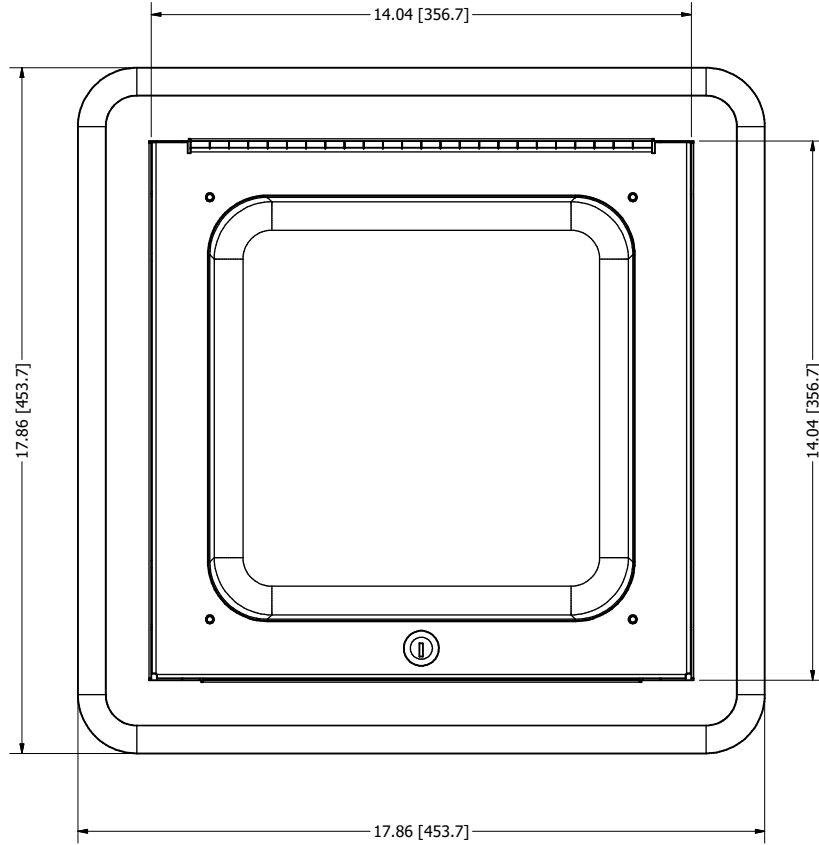
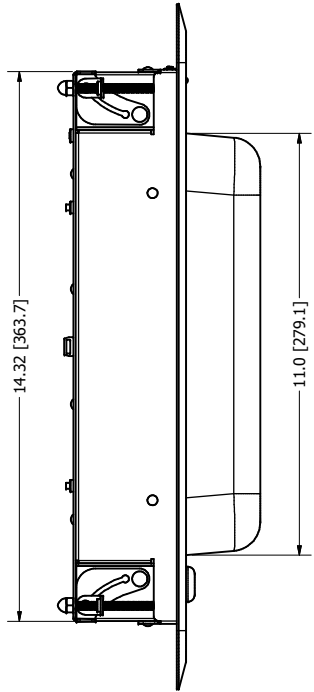
TITLE

Model 1075-XXXX

SIZE	DWG NO	DATE
C	1075-XXXX	11/10/2023
SCALE	SHEET 1 OF 6	

1075-MPDOME & 1075-MTDOME

D
C
B
A



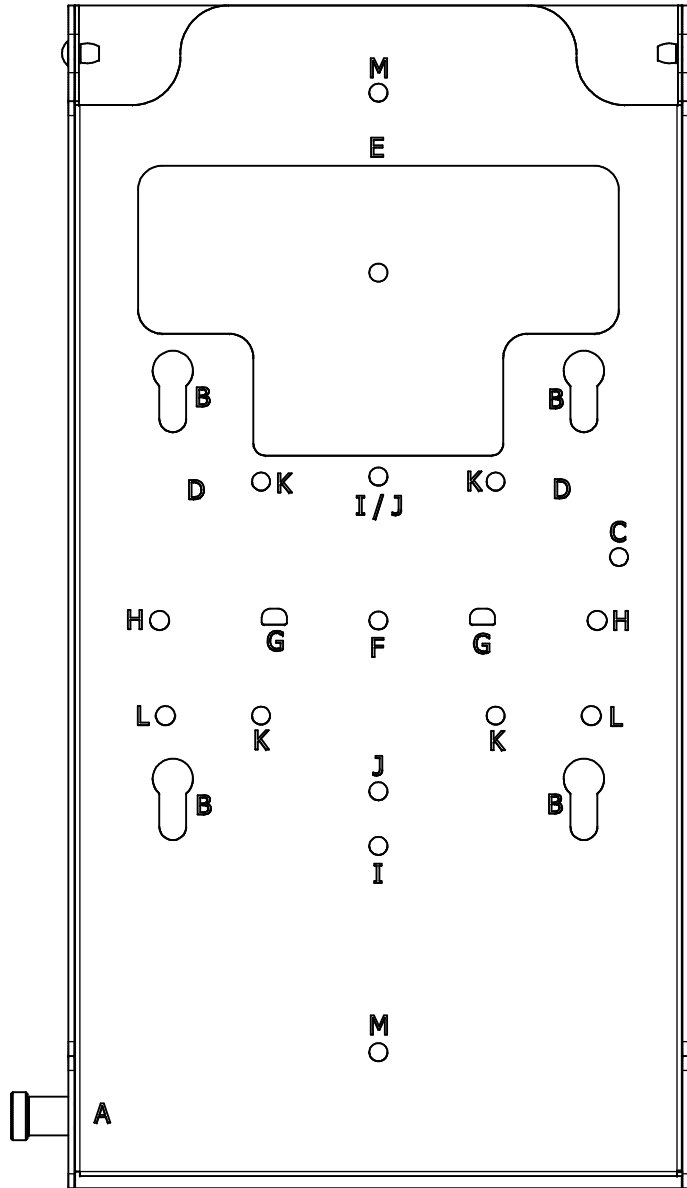
D
C
B
A

Oberon, Inc. - 1315 S. Allen St. - State College, PA 16801		
TITLE		
Model 1075-XXXX		
SIZE	DWG NO	DATE
C	1075-XXXX	11/10/2023
SCALE	SHEET 2 OF 6	

4 3 2 1

4 3 2 1

1075-MPDOME & 1075-MTDOME MOUNTING LEGEND



Universal Swing Down Mounting Bracket Mounting Legend:

- A: Pull to allow arm to swing down
- B: Opening for Cisco mounting feet
- C: Set screw for Cisco access points (install screw from back)
- E: Ethernet opening
- F: Optional screw openings to be used as required
- G: Openings for Aruba 5XX and 6XX series "D" shaped bosses
- H: Attachment screw openings for Aruba 5XX and 6XX series APs
- I: Screw holes for Meraki AP (use "B" holes in Meraki mounting plate)
- J: Screw holes for mounting plates with a single gang hole spacing
- K: Screw hole for mounting plates with a 4" round gang box hole spacing
- L: Holes for direct attachment of Extreme 3935i

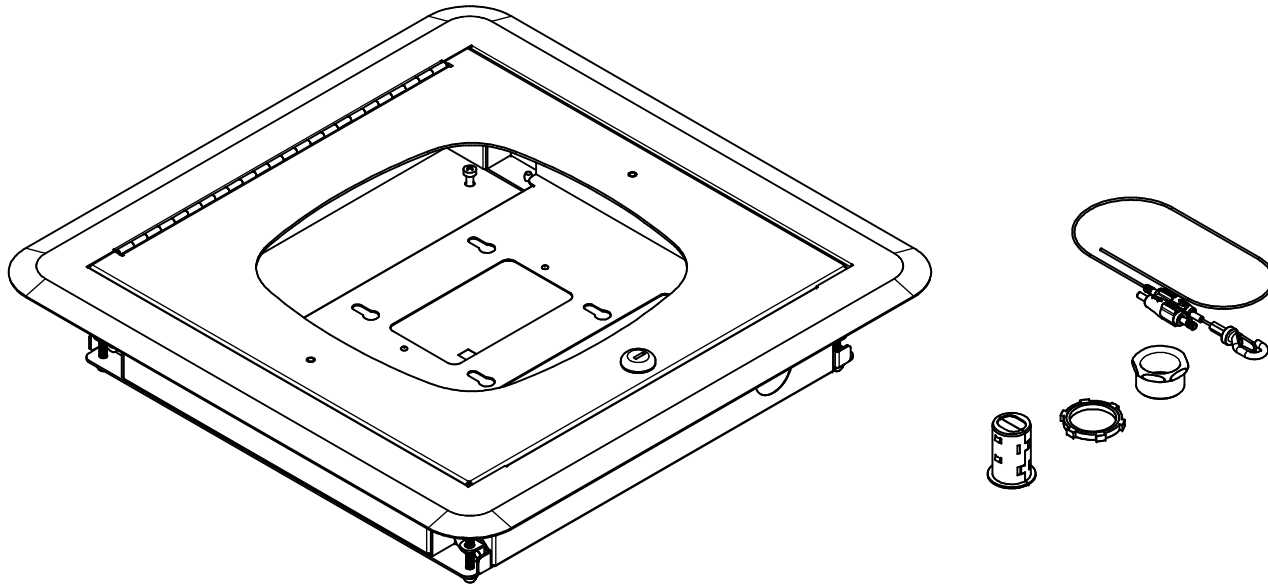
Oberon, Inc. - 1315 S. Allen St. - State College, PA 16801

TITLE

Model 1075-XXXX

SIZE	DWG NO	DATE
C	1075-XXXX	11/10/2023
SCALE	SHEET 3 OF 6	

1075 WITH AP FACED DOORS



NOTES:

- Weight: 11 lbs.
- Material: 16 Ga. Galvaneal Backbox
14 Ga. White Powder Coated Steel Door
18 Ga. White Powder Coated Steel Flange

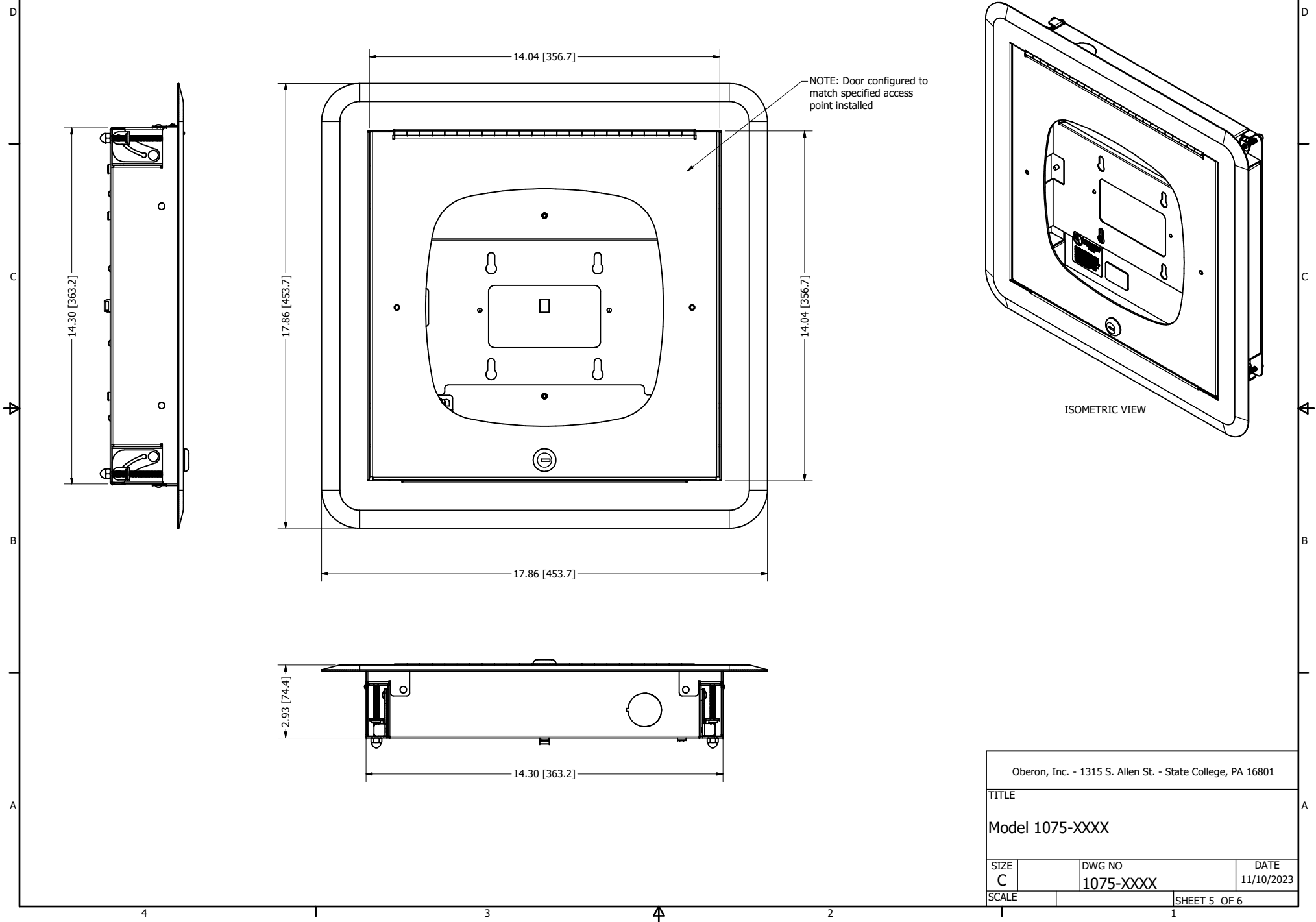
Includes:

- (1) Enclosure and Interchangeable Door
- (1) Dual Cable Egress Firestop Grommet
- (1) 1 in. Trade Size Conduit Connector
- (1) Speed Link Support Wire
- (2) Keys for Lock
- (1) Grounding Screw
- Access Point Attachment Hardware

- UL Listed File No. E348543

Oberon, Inc. - 1315 S. Allen St. - State College, PA 16801			
TITLE			
Model 1075-XXXX			
SIZE	DWG NO	DATE	
C	1075-XXXX	11/10/2023	
SCALE	SHEET 4 OF 6		

1075 WITH AP FACED DOORS



Oberon, Inc. - 1315 S. Allen St. - State College, PA 16801		
TITLE		
Model 1075-XXXX		
SIZE	DWG NO	DATE
C	1075-XXXX	11/10/2023
SCALE	SHEET 5 OF 6	

CONFIGURATION TABLE

Configuration Table			
MODEL NUMBER	DOOR STYLE	ACCESS POINT	TO ORDER DOOR SEPARATELY - USE DOOR P/N ONLY
1075-MPDOME	Opaque White Dome	General Purpose, Works With Most APs	38-1075-MPDOME
1075-MTDOME	Translucent Clear Dome	General Purpose, Works With Most APs	38-1075-MTDOME
1075-CW9166	AP-Specific	Cisco 9166/9164 Series APs	38-1075-CW9166
1075-COAP9136	AP-Specific	Cisco 9136 Series AP	38-1075-COAP9136
1075-COAP9130	AP-Specific	Cisco 9130 Series AP	38-1075-COAP9130
1075-COAP9120	AP-Specific	Cisco 9120 Series AP	38-1075-COAP9120
1075-ARAP655	AP-Specific	Aruba AP655 AP	38-1075-ARAP655
1075-ARAP635	AP-Specific	Aruba AP635 AP	38-1075-ARAP635
1075-ARAP555	AP-Specific	Aruba AP555 AP	38-1075-ARAP555
1075-ARAP535	AP-Specific	Aruba AP535 AP	38-1075-ARAP535
1075-MR56	AP-Specific	Cisco/Meraki MR56 AP	38-1075-MR56
1075-ND	No Door	N/A	Any Door Listed Above

Oberon, Inc. - 1315 S. Allen St. - State College, PA 16801			
TITLE			
Model 1075-XXXX			
SIZE	DWG NO	DATE	
C	1075-XXXX	11/10/2023	
SCALE	SHEET 6 OF 6		