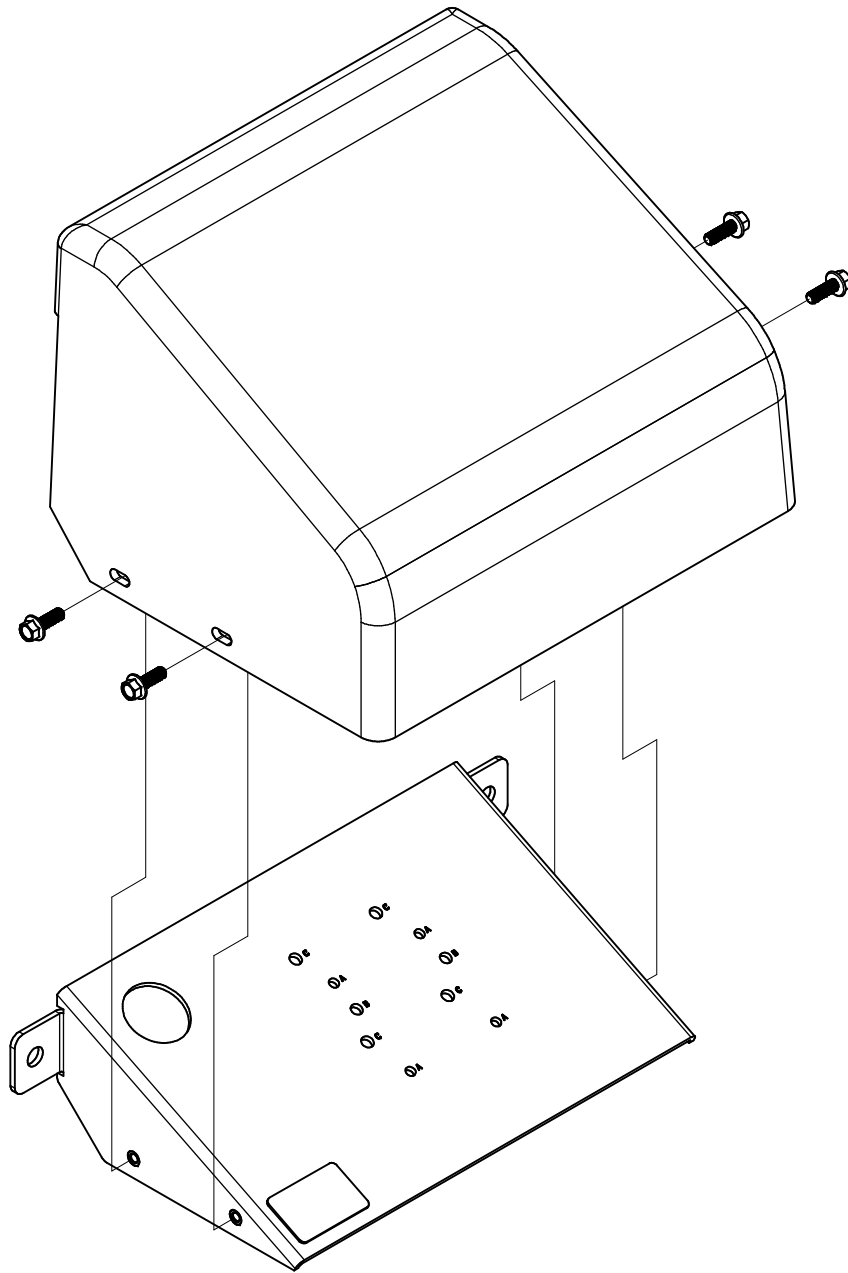


REVISION HISTORY				
ZONE	REV	DESCRIPTION	DATE	APPROVED
All	1	Released	2/21/2022	CAH
AI	2	Added mounting holes	4/12/2022	RLC



NOTES:

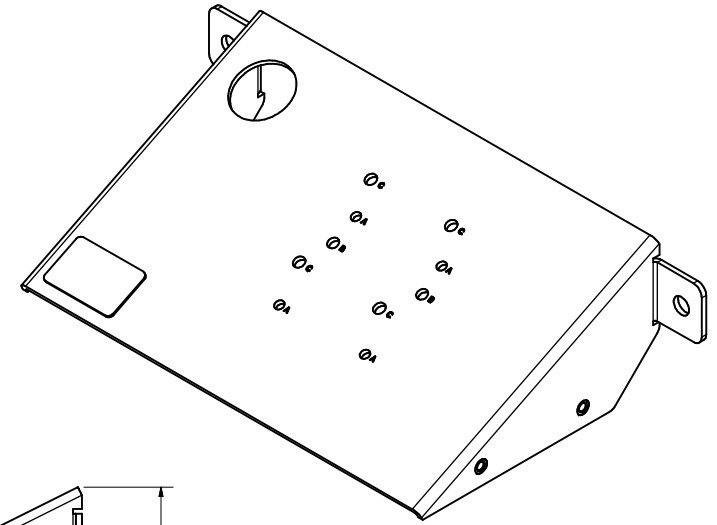
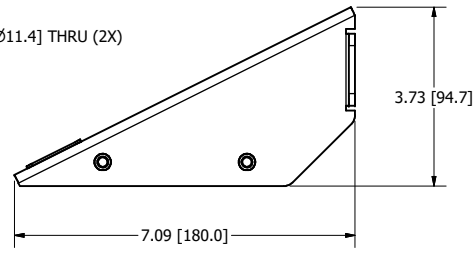
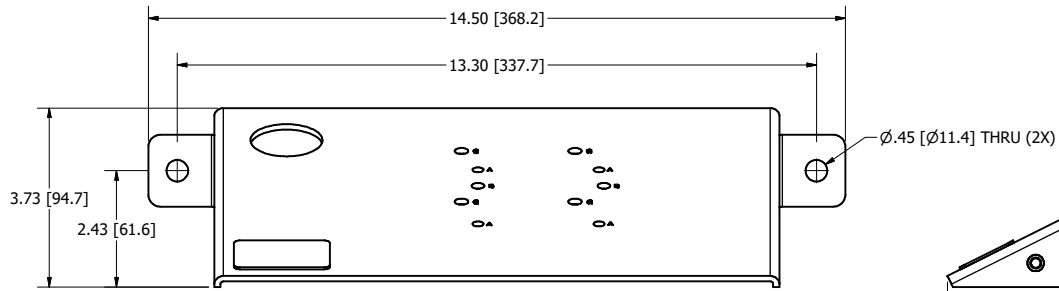
- Weight: 4 lbs.
- Material: 8 Ga. (.129") Aluminum Base
Gray ABS Cover with UV resistant layer, .250" Starting Thickness

Includes:

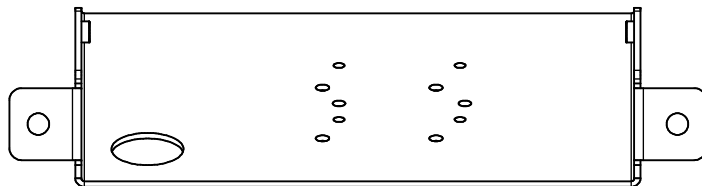
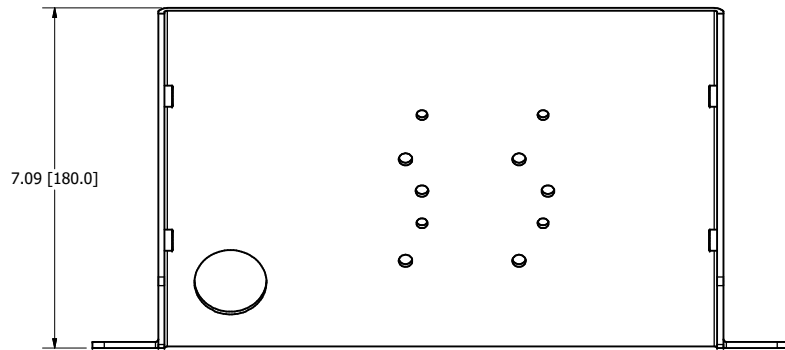
- (1) Base
- (1) Cover
- (4) 1/4"-20 x 3/4" SS Flanged Hex Head Machine Screws

DRAWN CAH	2/21/2022	Oberon, Inc. - 1315 S. Allen St. - State College, PA 16801		
CHECKED CAH	2/21/2022	TITLE		
QA		Model 3009-00		
MFG CAH	2/21/2022	SIZE C	DWG NO 3009-00	REV 2
APPROVED CAH	2/21/2022	SCALE	SHEET 1 OF 5	
TOLERANCE:	.0 = +/- .030 .00 = +/- .015 .000 = +/- .005			

BASE ONLY

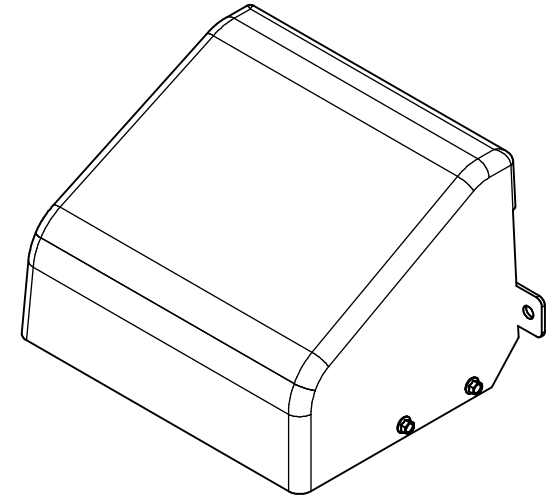
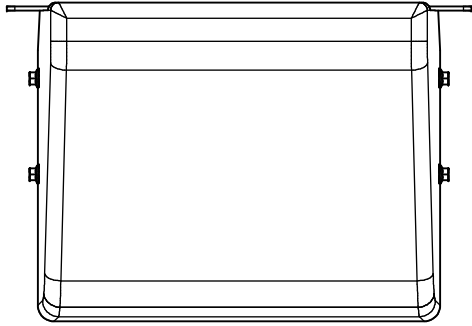


ISOMETRIC VIEW

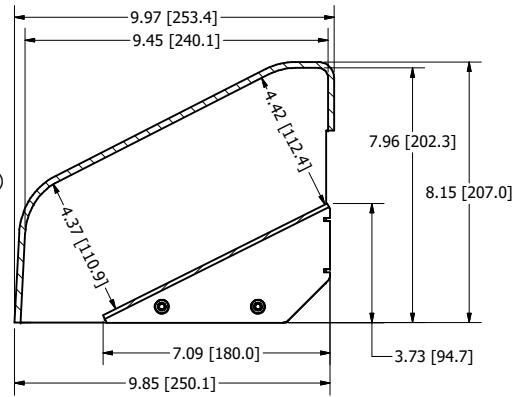
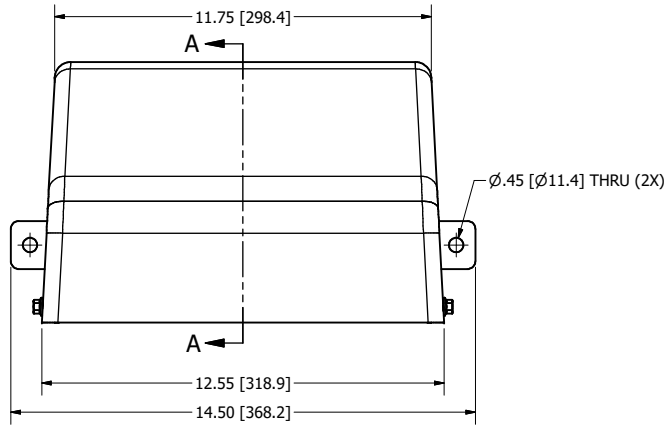


DRAWN CAH	2/21/2022	Oberon, Inc. - 1315 S. Allen St. - State College, PA 16801		
CHECKED CAH	2/21/2022	TITLE		
QA		Model 3009-00		
MFG CAH	2/21/2022	SIZE C	DWG NO 3009-00	REV 2
APPROVED CAH	2/21/2022	SCALE	SHEET 2 OF 5	
TOLERANCE:	.0 = +/- .030 .00 = +/- .015 .000 = +/- .005			

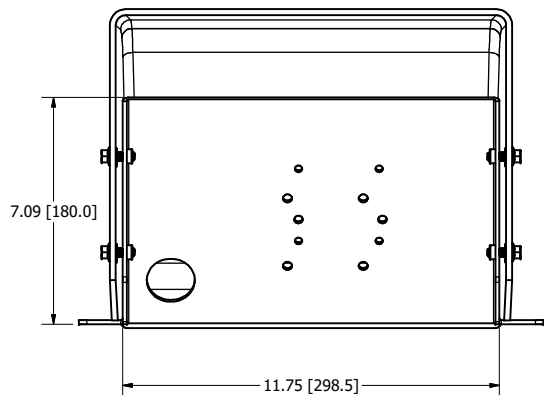
BASE AND COVER



ISOMETRIC VIEW

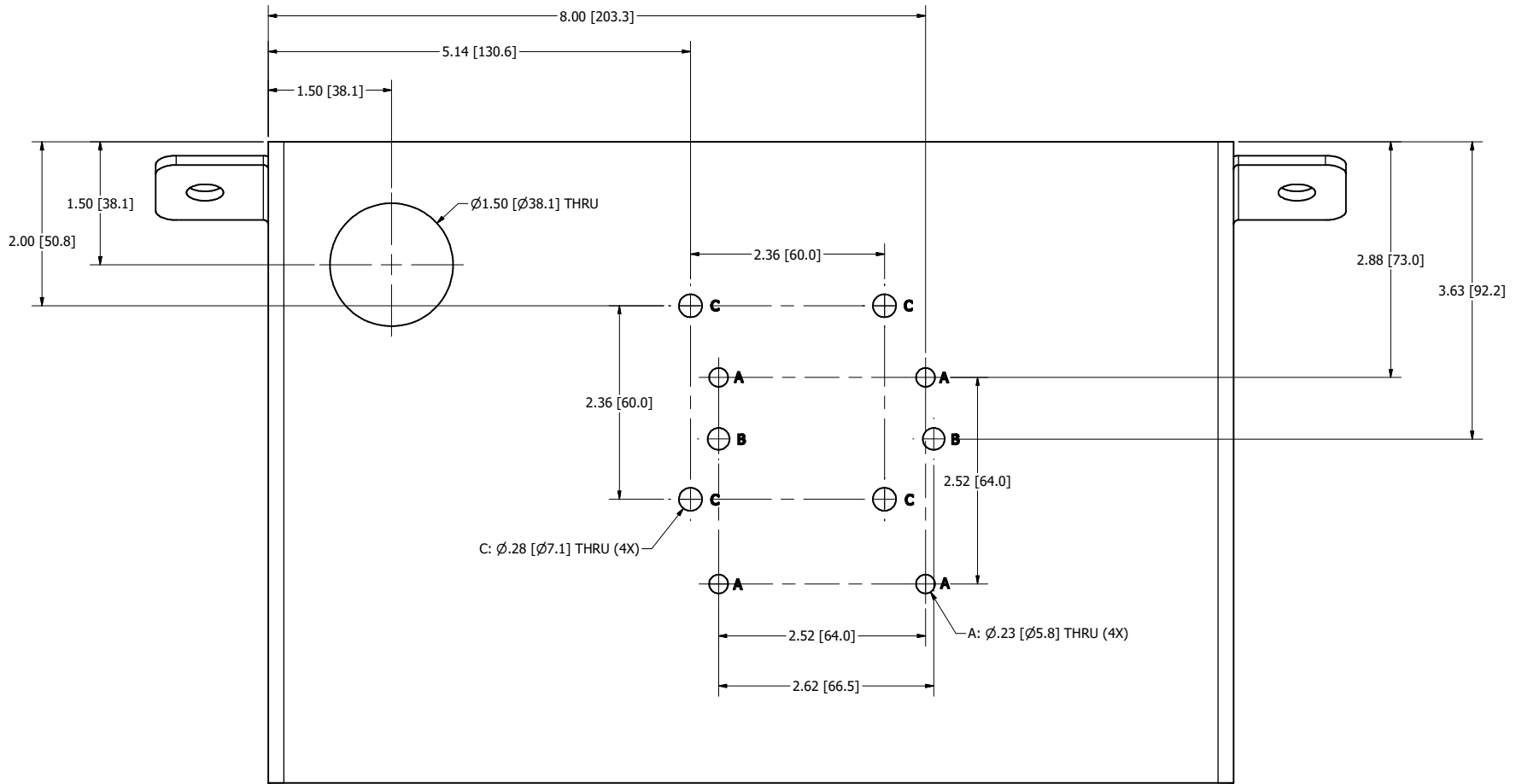


SECTION A-A
SCALE 1 / 3

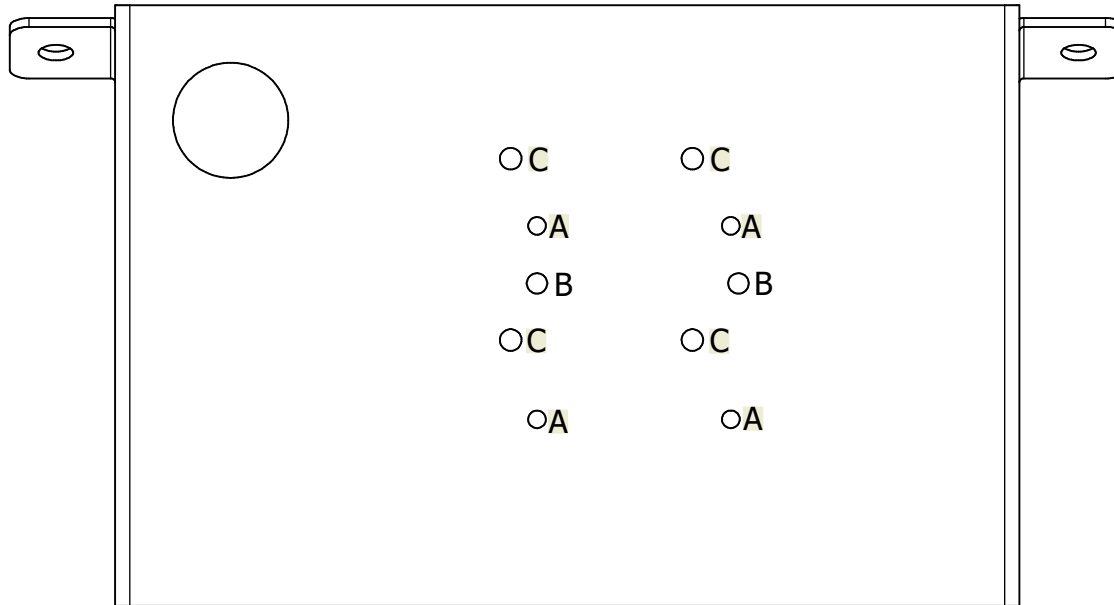


DRAWN CAH	2/21/2022	Oberon, Inc. - 1315 S. Allen St. - State College, PA 16801		
CHECKED CAH	2/21/2022	TITLE		
QA		Model 3009-00		
MFG CAH	2/21/2022	SIZE C	DWG NO 3009-00	REV 2
APPROVED CAH	2/21/2022	SCALE	SHEET 3 OF 5	
TOLERANCE:	.0 = +/- .030 .00 = +/- .015 .000 = +/- .005			

BASE ONLY



DRAWN CAH	2/21/2022	Oberon, Inc. - 1315 S. Allen St. - State College, PA 16801		
CHECKED CAH	2/21/2022	TITLE		
QA		Model 3009-00		
MFG CAH	2/21/2022	SIZE C	DWG NO 3009-00	REV 2
APPROVED CAH	2/21/2022	SCALE	SHEET 4 OF 5	
TOLERANCE:	.0 = +/- .030 .00 = +/- .015 .000 = +/- .005			



Mounting Legend:
 A - Aruba AP-277 and AP-377
 B - Aruba AP-565 and AP-567
 C - Cisco AP 1532i and AP 1562i

DRAWN CAH	2/21/2022	Oberon, Inc. - 1315 S. Allen St. - State College, PA 16801		
CHECKED CAH	2/21/2022	TITLE		
QA		Model 3009-00		
MFG CAH	2/21/2022	SIZE C	DWG NO 3009-00	REV 2
APPROVED CAH	2/21/2022	SCALE	SHEET 5 OF 5	
TOLERANCE:	.0 = +/- .030 .00 = +/- .015 .000 = +/- .005			